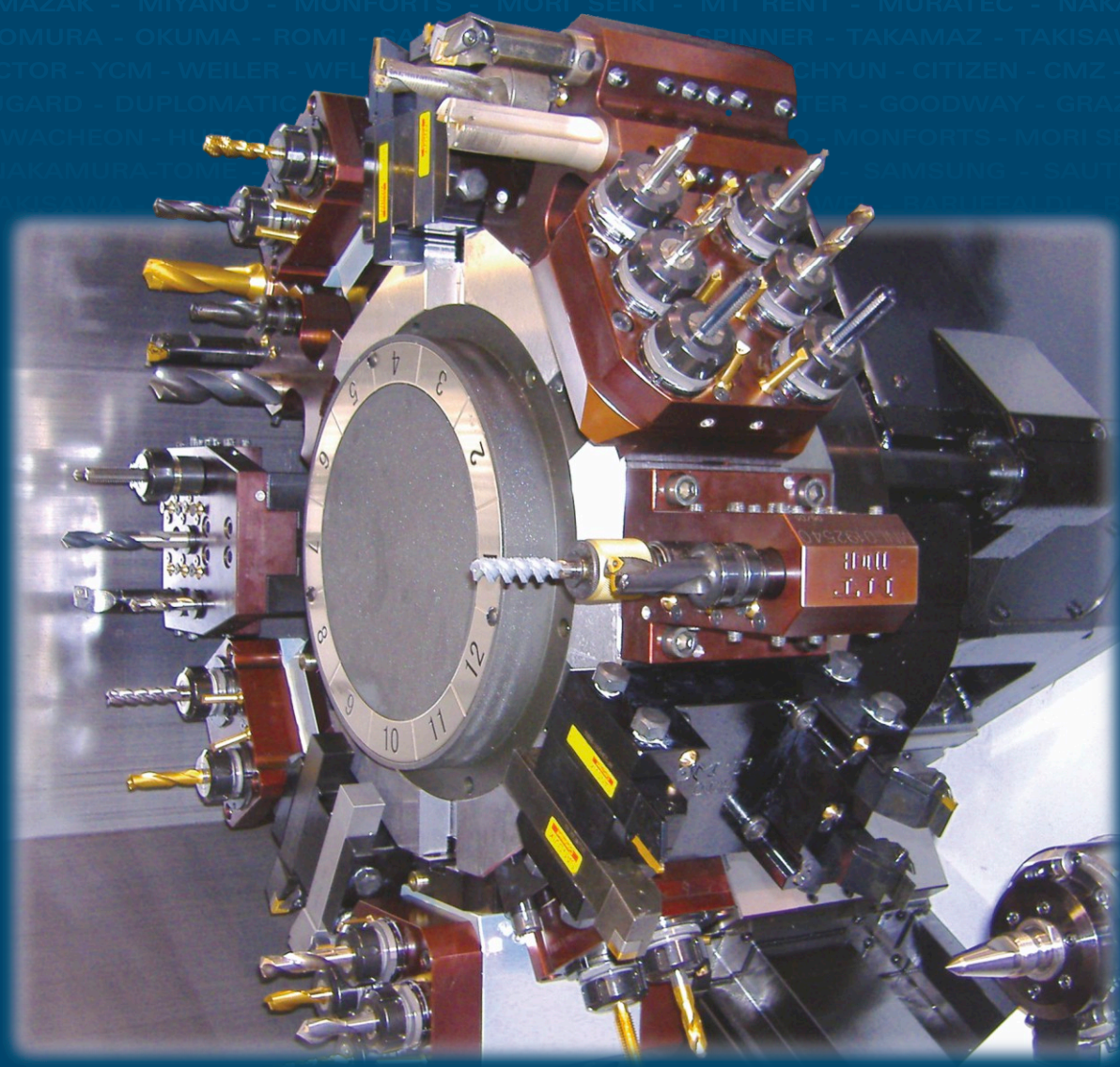


BARUFFALDI - BIGLIA - CHIAH CHYUN - CITIZEN - CMZ - COLCHESTER - DOOSAN - DUGARD - DUPLOMATIC - EMAG  
EMCO - FMS - GILDEMEISTER - GOODWAY - GRAZIANO - HAAS - HARDINGE - HWACHEON - HURCO - HYUNDAI-KIA  
(WIA) - MAZAK - MIYANO - MONFORTS - MORI SEIKI - MT RENT - MURATEC - NAKAMURA-TOME  
NEXTURN - NOMURA - OKUMA - ROMI - SAMSUNG - SAUTER - SPINNER - TAKAMAZ - TAKISAWA - TORNOS  
TSUGAMI - VICTOR - YCM - WEILER - WFL - BARUFFALDI - BIGLIA - CHIAH CHYUN - CITIZEN - CMZ - COLCHESTER  
DOOSAN - DUGARD - DUPLOMATIC - EMAG - EMCO - FMS - GILDEMEISTER - GOODWAY - GRAZIANO - HAAS



*Leader in the Production of  
DRIVEN LATHE TOOLING*



RESEARCH AND INNOVATION - MADE IN ITALY





DRIVEN LATHE TOOLING

## M.T. S.r.l.

M.T. was established in 1972 in San Giovanni in Marignano (Rimini), Italy. The company started out as third party supplier of high quality, mechanically machined and fully finished products. Leveraging its extensive knowledge of turning applications, M.T. began manufacturing driven and static tool holders for CNC lathes in 1995. Over subsequent years, M.T. has continued to massively increase the product range in order to equip all the major brands of CNC lathes, both horizontal, vertical and Swiss type models. The tooling solutions proposed by M.T. allows for complex performance machining on the lathe, in order to: reduce the set-up times and optimize the machining parameters, obtain higher machining accuracy and precision level, reduce the production times and costs. With M.T. products you will use the machine at the maximum level of its potential.

## Quality of our products

M.T. products are 100% manufactured in our own factory in Italy, using high precision and high rigidity machine tools, highly automated and operated by skilled personnel. The percentage of internal manufacturing is at 95%. The production process follows strict quality controls and inspection procedures:

- Raw materials control and traceability.
- Heat treatment certification.
- 100% inspection of critical components.
- Final inspection and testing on every driven and static toolholder.

Every product is marked with the serial number and shipment date, to ensure full traceability.

**M.T. System is certified UNI EN ISO 9001:2015 and UNI EN ISO 14001:2015.**

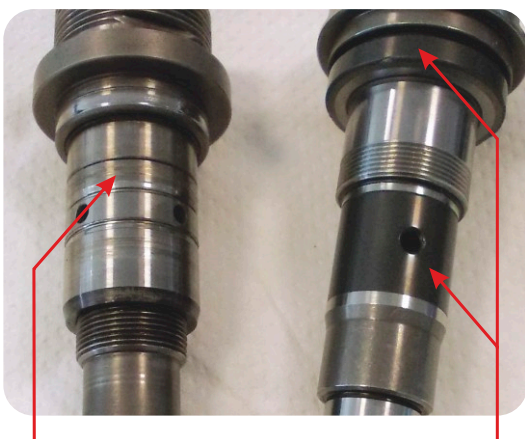


Organization with Certified  
Integrated Quality  
Environment Management System  
ISO 9001 Nr 50 100 12408  
ISO 14001 Nr 50 100 12385

## Technical solutions

We adopt state-of-the-art technical solutions to maximize the performance and life of our products:

- High accuracy, high cutting capacity and long lasting life bearings.
- Helical gears with rounded teeth profile to minimize heating and noise.
- Shafts ceramic coated on the surfaces in contact with seals: maximum life of shafts, bearings and seals.
- Mechanical sealing system, with coated ceramic track, for models with internal coolant up to 70 bar.
- High speed models 1:1 ratio up to 12000 rpm available.



Shaft used by  
our competitors  
WITHOUT  
ceramic coating

Shaft used  
by MT WITH  
ceramic  
coating




MSQP certified in USA,  
Europe and Japan



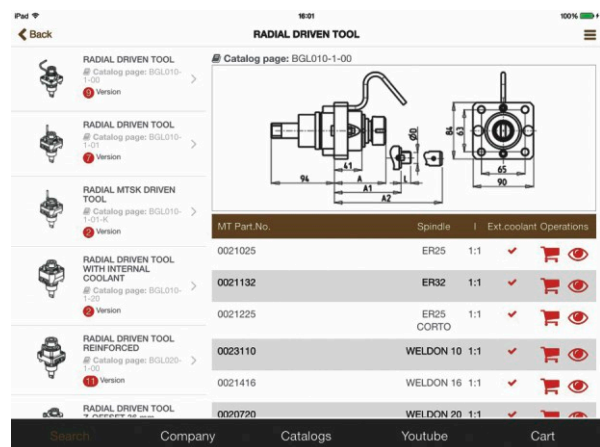
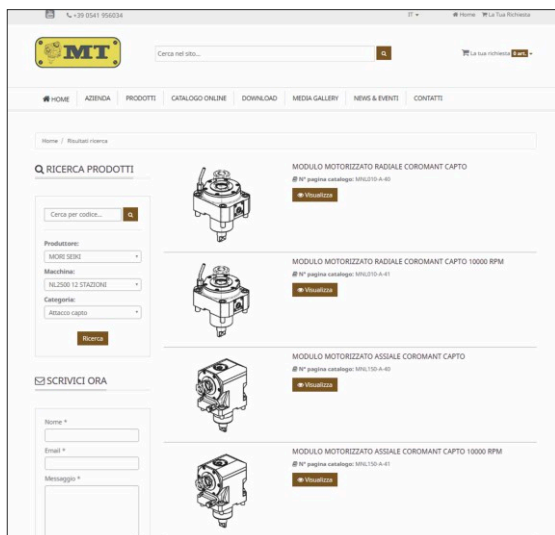
DRIVEN LATHE TOOLING

## The proper solution to all your requirements!

With 6000 different models available, M.T. offers a full range of static and driven tool holders able to satisfy every possible machining application. If you cannot find a suitable product in our catalogue, we are at your disposal to design and manufacture special toolholders tailor made for your application.

 <p>Radial driven toolholder</p>	 <p>Axial driven toolholder</p>	 <p>Adjustable angle driven toolholder</p>
 <p>Radial 6 head module</p>	 <p>4+4 heads module</p>	 <p>Special driven toolholder</p>
 <p>2+2 turning static toolholder</p>	 <p>3+3 boring bar holder</p>	 <p>Static Capto toolholder</p>

The online catalogue available on our website allows an accurate and fast choice of product, suitable for your application.



Please download our app "MT Tools Finder" on online stores.



[www.mtmarchetti.com](http://www.mtmarchetti.com)

Don't miss our application videos on [www.youtube.com/user/mtmarchetti](https://www.youtube.com/user/mtmarchetti)



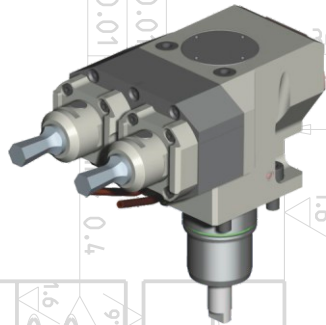
DRIVEN LATHE TOOLING

## The best solution for your advanced applications

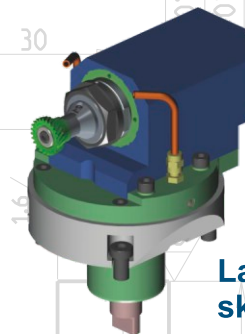
From the beginning of our history, the heart of M.T. has been the continuous innovation made to the products and the use of innovative technical solutions. We are a leader worldwide for complex machining applications: keyways, straight / helical internal and external gears, tapered gears and grinding operations can be performed directly on the standard CNC lathe, thanks to our products!



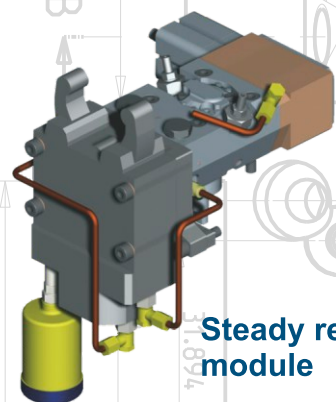
91° multiple broaching module



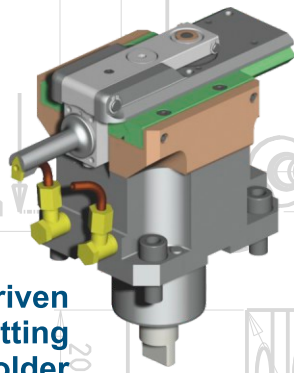
Lathe power skiving unit



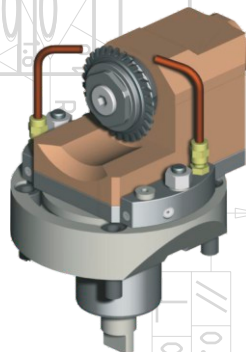
Steady rest module



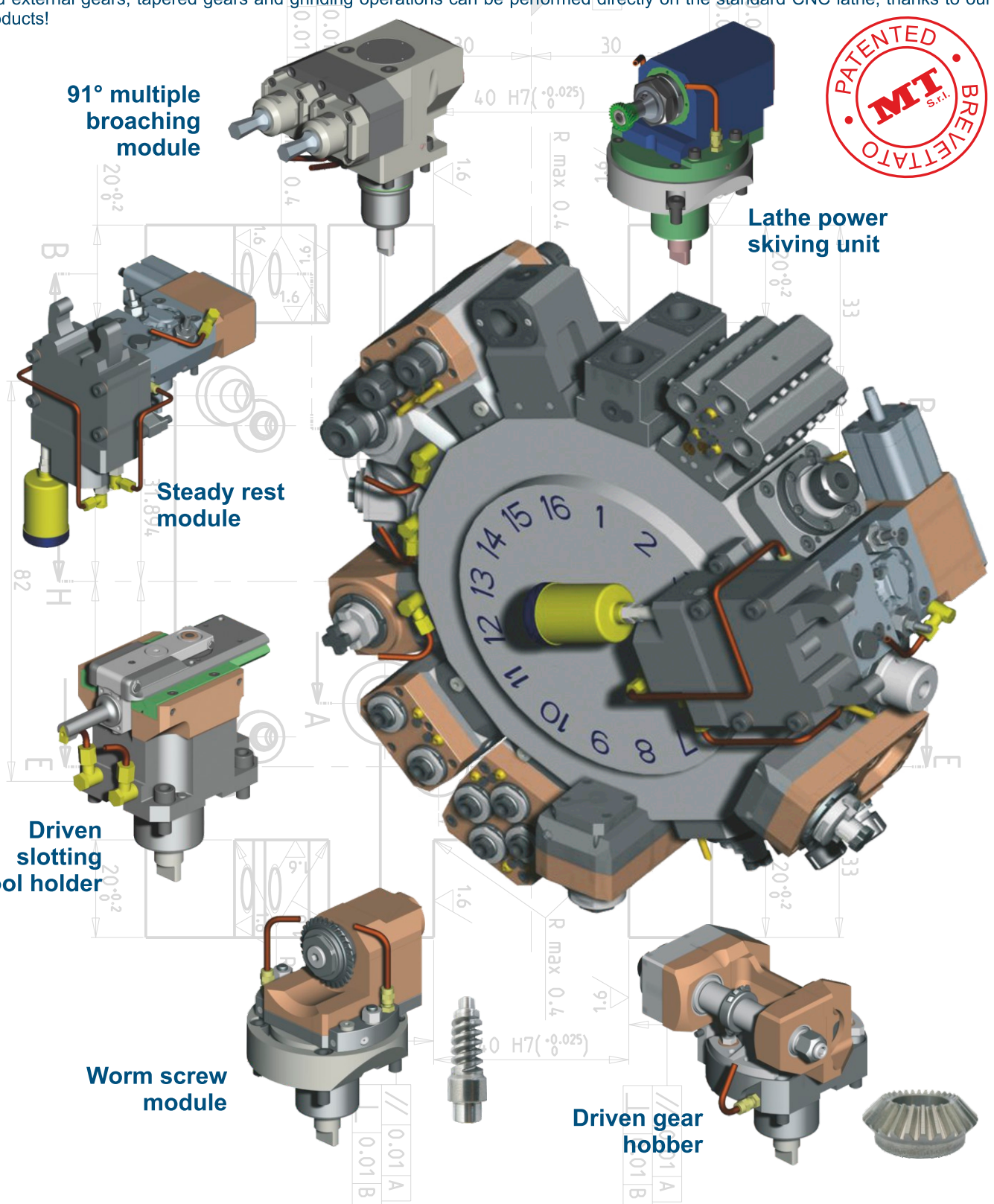
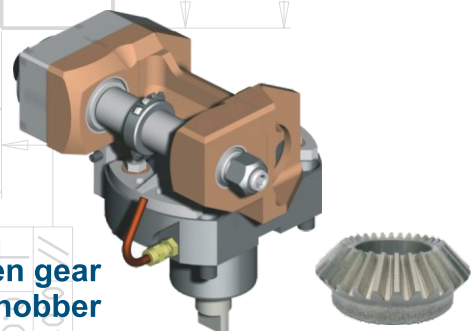
Driven slotting tool holder



Worm screw module



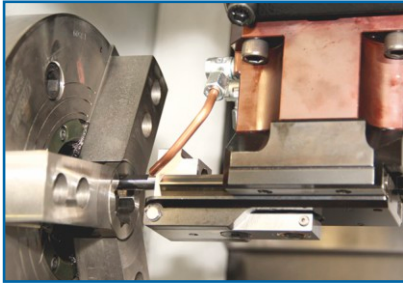
Driven gear hobber





DRIVEN LATHE TOOLING

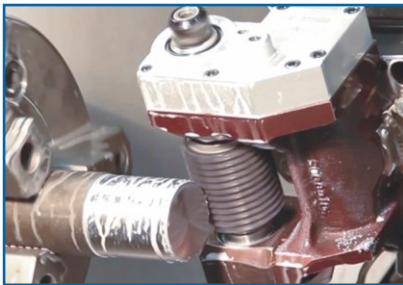
## The best solution for your advanced applications



### DRIVEN SLOTTING TOOLHOLDER

Machining of key slots in extremely short time directly on a CNC lathe, without any load on the machine axes.

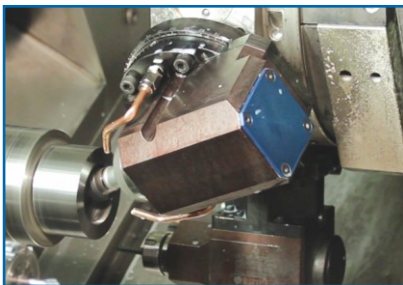
- Double guideway design: maximum stability.
- Automatic lifting of the tool during return stroke: longer tool life.
- Key width up to 12 mm (*depends on the material*) and special profiles.
- Fixed stroke 25 mm or 50 mm: key length 22 mm or 47 mm.
- Reduction ratio 4:1: machining of hard materials also with limited power available on the machine.



### DRIVEN GEAR HOBBER

External gears, with straight or helical teeth, can be machined directly on CNC lathe. Six sizes available:

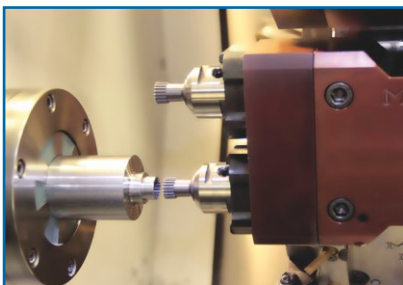
- Model for swiss type lathes.
  - Light: for gear cutters up to  $\text{Ø} 40 \text{ mm} \times 43 \text{ mm}$ .
  - Standard: for gear cutters up to  $\text{Ø} 50 \text{ mm} \times 50 \text{ mm}$ .
  - Medium: for gear cutters up to  $\text{Ø} 80 \text{ mm} \times 80 \text{ mm}$ .
  - Strong: for gear cutters up to  $\text{Ø} 80 \text{ mm} \times 80 \text{ mm}$ .
  - Heavy-Duty: for gear cutters up to  $\text{Ø} 100 \text{ mm} \times 100 \text{ mm}$ .
- Option with reduction ratio 2:1 is available for increased cutting capacity.



### LATHE POWER SKIVING UNIT

Machining of gears with power skiving technology, in very short times compared with the other available options.

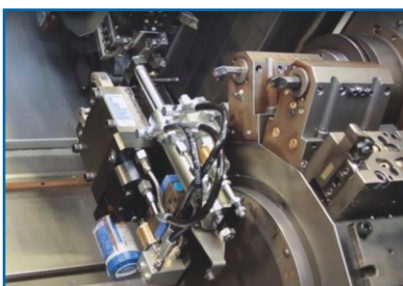
- Internal and external gears, straight or helical teeth, also very close to shoulders.
- Complete supply from M.T.: from feasibility check, to delivery of driven tool holder, gear cutter and machining parameters.



### 91° MULTIPLE BROACHING MODULE

Machining of internal and external profiles with different shapes (squares, hexagons, gears and special profiles) using shaped tools.

- 91° angle in respect to the turret plane, synchronized machining with workpiece rotation.
- Excellent level of straightness even on long parts.
- Multiple output: roughing and finishing using a single tool holder and a single turret position.



### SLIDING DRIVEN STEADY REST MODULE

Machining of long parts on lathes not prearranged for the assembly of a hydraulic steady rest.

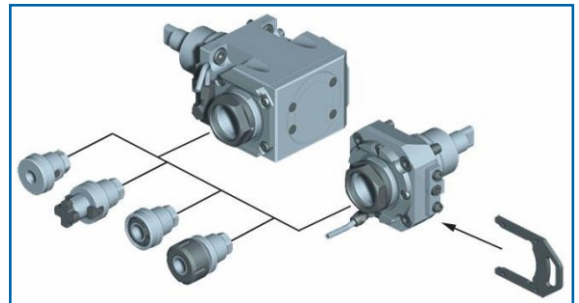
- Plug and play: does not require additional pipes, cables or hydraulic distributors.
- Uses the driven tool rotation to operate the sliding stroke and the open/close movement of the steady rest.
- Can be equipped with wireless sensors, to be integrated with the CNC of the machine.
- Two sizes available for many multi turret lathes.



DRIVEN LATHE TOOLING

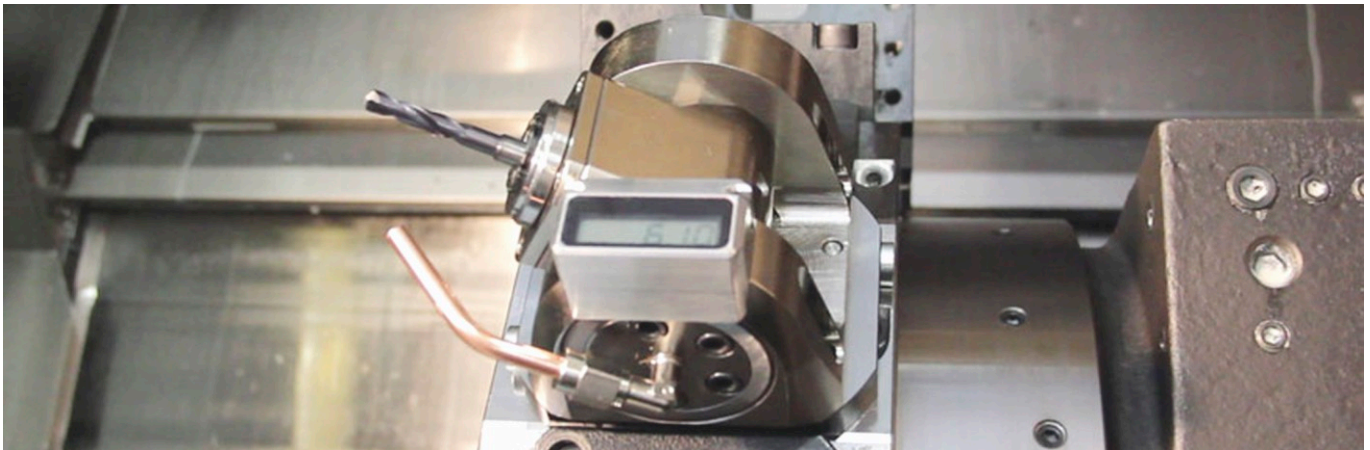
## MTSK Modular system

With our MTSK quick tool change system, you can obtain maximum flexibility and greatly reduce set-up times. Thanks to the cone-plan alignment system, derived from the popular HSK-T system, the MTSK guarantees high rigidity and precision with very compact axial dimensions. Several adapters are available: ER and ERA collets, milling arbor, Weldon, Morse cone and for micRun® e PowRgrip® systems.



## Adjustable angle driven toolholder with digital display

Indicates the angle in real time, thanks to the integrated encoder. Simplifies the set-up operation on the machine, reduces the complexity and the time required. Available as option on all our adjustable angle driven tool holders.



## Mechanical machining

Thanks to the high level of our machine tools, we can operate as prime contractor for mechanical machining according to customer's drawing and guarantee the production of high precision parts with competitive costs. The high stability of our production process allowed M.T. to obtain the certification for many important international groups operating in several fields, for which we produce and assemble parts dedicated to automatic machines.





DRIVEN LATHE TOOLING

## Global network



## 2 Years warranty

Our toolholders are covered with a 2 years warranty time, starting from the delivery date which is marked on the product. Eventual damages due to improper use or collisions are not included.



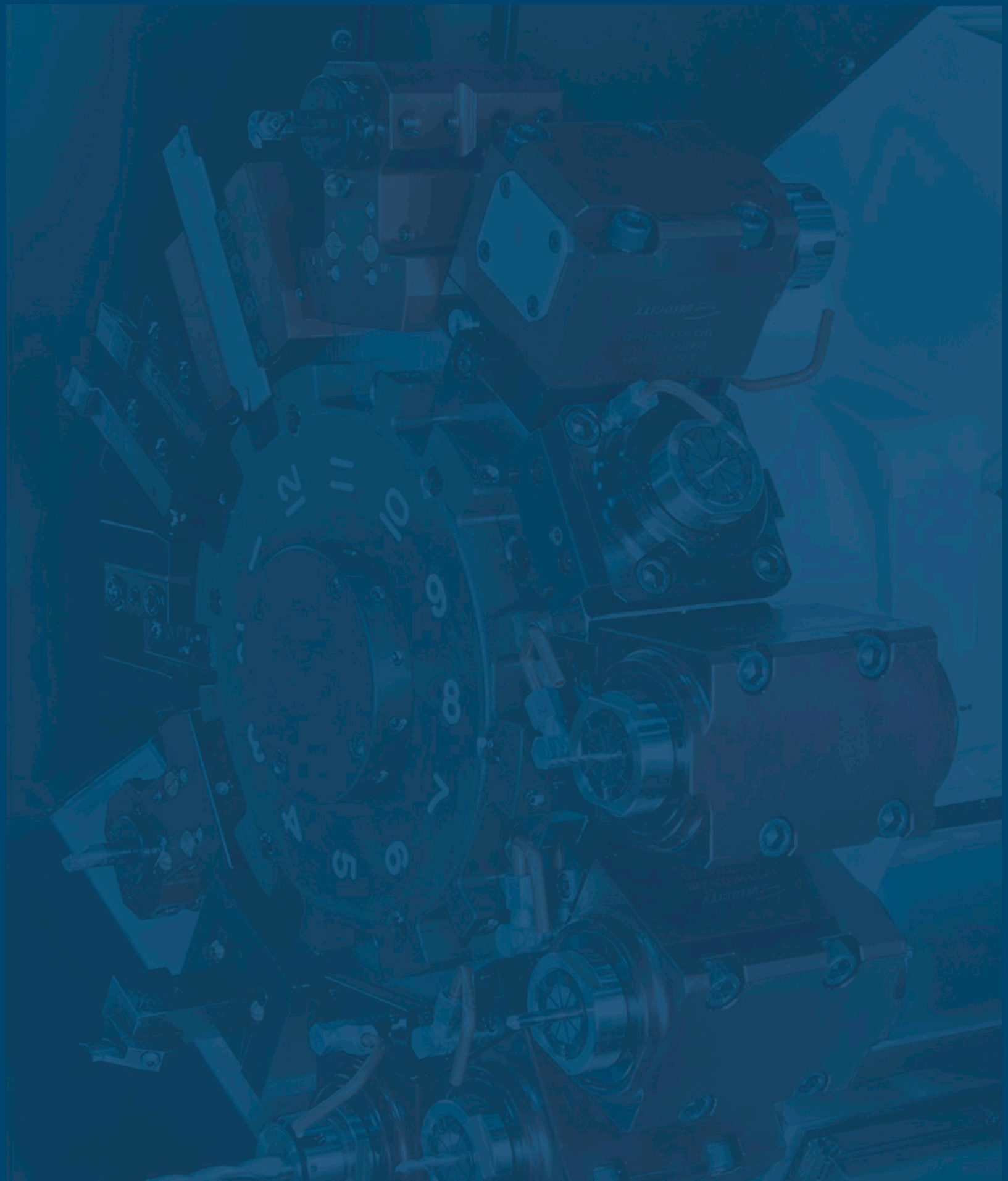
## Just in time delivery

The main target of our company is to satisfy the customer's demands quickly. Thanks to our stocking strategy, we can guarantee the shipment of our static and driven tool holder's range within 5 working days from order's receipt. The cooperation with express couriers allows traceable and fast deliveries of our products worldwide.

## Technical support and repair service

Thanks to our long experience with machine tools and mechanical machining, M.T. is able to support the customer in every step of the project, from choosing the most suitable set of tool holders to the study of the working cycle. We tailor "turn-key" projects according to the customer's applications. Driven tool holders require regular control and a correct strategy of preventive maintenance. M.T. offers a flexible, fast and cost effective repair center, for M.T.'s and every other brand of driven tool holder.





DRIVEN LATHE TOOLING



[www.mtmarchetti.com](http://www.mtmarchetti.com)  
[mtma@mtmarchetti.com](mailto:mtma@mtmarchetti.com)

MT s.r.l. - Via Casino Albini, 480 - 47842 S. Giovanni in Marignano (RN) ITALY  
Tel. +39 0541.956034 - +39 0541.957884 - Fax +39 0541.956341