



K-1.3257 Y.628 Z-5.1475 A-48.0715 B
 K-1.1803 Y.6251 Z-5.1103 A-48.5782
 K-1.0348 Y.6222 Z-5.0731 A-49.0828
 K-.8892 Y.6193 Z-5.0358 A-49.5848 B
 K-.7435 Y.6165 Z-4.9985 A-50.0835 B
 K-.5977 Y.6138 Z-4.9611 A-50.5784 B
 K-.4518 Y.611 Z-4.9236 A-51.0688 B
 K-.3059 Y.6084 Z-4.8861 A-51.5539 B28.4544 F686.13
 K-.1599 Y.6058 Z-4.8486 A-52.0331 B27.3917 F710.23
 K-.0138 Y.6033 Z-4.811 A-52.5057 B26.2988 F734.35
 K.1324 Y.6008 Z-4.7733 A-52.9708 B25.1754 F758.19
 K.2786 Y.5984 Z-4.7356 A-53.4276 B24.0211 F781.51
 K.4249 Y.5961 Z-4.6978 A-53.8755 B22.8357 F803.99
 K.5713 Y.5939 Z-4.66 A-54.3136 B21.6189 F825.37
 K.7177 Y.5917 Z-4.622 A-54.741 B20.3706 F845.28
 K.8641 Y.5896 Z-4.5841 A-55.157 B19.091 F863.38
 X1.0106 Y.5876 Z-4.5461 A-55.5607 B17.7803 F879.41
 X1.1572 Y.5857 Z-4.508 A-55.9513 B16.4387 F893.1
 X1.3037 Y.5839 Z-4.4698 A-56.3279 B15.0668 F904.19
 X1.4503 Y.5821 Z-4.4316 A-56.6898 B13.6653 F912.54
 X1.597 Y.5805 Z-4.3933 A-57.0362 B12.2349 F918.07
 X1.7436 Y.5789 Z-4.355 A-57.3663 B10.7769 F920.75
 X1.8903 Y.5775 Z-4.3166 A-57.6794 B9.2924 F920.67
 X2.0369 Y.5761 Z-4.2781 A-57.9748 B7.783 F917.93
 X2.1836 Y.5748 Z-4.2396 A-58.2518 B6.2502 F912.73
 X2.3303 Y.5736 Z-4.2011 A-58.5099 B4.6961 F905.28
 X2.477 Y.5726 Z-4.1625 A-58.7485 B3.1226 F895.85
 X2.6236 Y.5716 Z-4.1238 A-58.9678 B1.5908 F884.67
 X2.7702 Y.5707 Z-4.085 A-59.1687 B0.0202 F872.85
 X2.9168 Y.5699 Z-4.0463 A-59.3523 F858.2
 X3.0634 Y.5692 Z-4.0074 A-59.5198 F843.39
 X3.2100 Y.5685 Z-3.9686 A-59.6727 F827.82
 X3.3566 Y.5678 Z-3.9298 A-59.8158 F811.68
 X3.5032 Y.5671 Z-3.891 A-59.9494 F795.13
 X3.6498 Y.5664 Z-3.8522 A-60.0737 F778.18
 X3.7964 Y.5657 Z-3.8134 A-60.1887 F760.83
 X3.9430 Y.565 Z-3.7746 A-60.3044 F743.18
 X4.0896 Y.5643 Z-3.7358 A-60.4108 F725.23
 X4.2362 Y.5636 Z-3.697 A-60.508 F707.18
 X4.3828 Y.5629 Z-3.6582 A-60.6062 F688.93
 X4.5294 Y.5622 Z-3.6194 A-60.7044 F670.48
 X4.6760 Y.5615 Z-3.5806 A-60.8026 F651.73
 X4.8226 Y.5608 Z-3.5418 A-60.9008 F632.78
 X4.9692 Y.5601 Z-3.503 A-61.0 F114.03
 X5.1158 Y.5594 Z-3.4642 A-61.0982 F114.03
 X5.2624 Y.5587 Z-3.4254 A-61.1964 F114.03
 X5.4090 Y.558 Z-3.3866 A-61.2946 F114.03
 X5.5556 Y.5573 Z-3.3478 A-61.3928 F114.03
 X5.7022 Y.5566 Z-3.309 A-61.491 F114.03
 X5.8488 Y.5559 Z-3.2702 A-61.5892 F114.03
 X6.0954 Y.5552 Z-3.2314 A-61.6874 F114.03
 X6.2420 Y.5545 Z-3.1926 A-61.7856 F114.03
 X6.3886 Y.5538 Z-3.1538 A-61.8838 F114.03
 X6.5352 Y.5531 Z-3.115 A-61.982 F114.03
 X6.6818 Y.5524 Z-3.0762 A-62.0802 F114.03
 X6.8284 Y.5517 Z-3.0374 A-62.1784 F114.03
 X6.9750 Y.551 Z-3.0086 A-62.2766 F114.03
 X7.1216 Y.5503 Z-2.9698 A-62.3748 F114.03
 X7.2682 Y.5496 Z-2.931 A-62.473 F114.03
 X7.4148 Y.5489 Z-2.8922 A-62.5712 F114.03
 X7.5614 Y.5482 Z-2.8534 A-62.6694 F114.03
 X7.7080 Y.5475 Z-2.8146 A-62.7676 F114.03
 X7.8546 Y.5468 Z-2.7758 A-62.8658 F114.03
 X8.0012 Y.5461 Z-2.737 A-62.964 F114.03
 X8.1478 Y.5454 Z-2.6982 A-63.0622 F114.03
 X8.2944 Y.5447 Z-2.6594 A-63.1604 F114.03
 X8.4410 Y.544 Z-2.6206 A-63.2586 F114.03
 X8.5876 Y.5433 Z-2.5818 A-63.3568 F114.03
 X8.7342 Y.5426 Z-2.543 A-63.455 F114.03
 X8.8808 Y.5419 Z-2.5042 A-63.5532 F114.03
 X9.0274 Y.5412 Z-2.4654 A-63.6514 F114.03
 X9.1740 Y.5405 Z-2.4266 A-63.7496 F114.03
 X9.3206 Y.5398 Z-2.3878 A-63.8478 F114.03
 X9.4672 Y.5391 Z-2.349 A-63.946 F114.03
 X9.6138 Y.5384 Z-2.3102 A-64.0442 F114.03
 X9.7604 Y.5377 Z-2.2714 A-64.1424 F114.03
 X9.9070 Y.537 Z-2.2326 A-64.2406 F114.03
 X10.0536 Y.5363 Z-2.1938 A-64.3388 F114.03
 X10.2002 Y.5356 Z-2.155 A-64.437 F114.03
 X10.3468 Y.5349 Z-2.1162 A-64.5352 F114.03
 X10.4934 Y.5342 Z-2.0774 A-64.6334 F114.03
 X10.6400 Y.5335 Z-2.0386 A-64.7316 F114.03
 X10.7866 Y.5328 Z-1.9998 A-64.8298 F114.03
 X10.9332 Y.5321 Z-1.961 A-64.928 F114.03
 X11.0798 Y.5314 Z-1.9222 A-65.0262 F114.03
 X11.2264 Y.5307 Z-1.8834 A-65.1244 F114.03
 X11.3730 Y.53 Z-1.8446 A-65.2226 F114.03
 X11.5196 Y.5293 Z-1.8058 A-65.3208 F114.03
 X11.6662 Y.5286 Z-1.767 A-65.419 F114.03
 X11.8128 Y.5279 Z-1.7282 A-65.5172 F114.03
 X11.9594 Y.5272 Z-1.6894 A-65.6154 F114.03
 X12.1060 Y.5265 Z-1.6506 A-65.7136 F114.03
 X12.2526 Y.5258 Z-1.6118 A-65.8118 F114.03
 X12.3992 Y.5251 Z-1.573 A-65.91 F114.03
 X12.5458 Y.5244 Z-1.5342 A-66.0082 F114.03
 X12.6924 Y.5237 Z-1.4954 A-66.1064 F114.03
 X12.8390 Y.523 Z-1.4566 A-66.2046 F114.03
 X12.9856 Y.5223 Z-1.4178 A-66.3028 F114.03
 X13.1322 Y.5216 Z-1.379 A-66.401 F114.03
 X13.2788 Y.5209 Z-1.3402 A-66.4992 F114.03
 X13.4254 Y.5202 Z-1.3014 A-66.5974 F114.03
 X13.5720 Y.5195 Z-1.2626 A-66.6956 F114.03
 X13.7186 Y.5188 Z-1.2238 A-66.7938 F114.03
 X13.8652 Y.5181 Z-1.185 A-66.892 F114.03
 X14.0118 Y.5174 Z-1.1462 A-66.9902 F114.03
 X14.1584 Y.5167 Z-1.1074 A-67.0884 F114.03
 X14.3050 Y.516 Z-1.0686 A-67.1866 F114.03
 X14.4516 Y.5153 Z-1.0298 A-67.2848 F114.03
 X14.5982 Y.5146 Z-0.991 A-67.383 F114.03
 X14.7448 Y.5139 Z-0.9522 A-67.4812 F114.03
 X14.8914 Y.5132 Z-0.9134 A-67.5794 F114.03
 X15.0380 Y.5125 Z-0.8746 A-67.6776 F114.03
 X15.1846 Y.5118 Z-0.8358 A-67.7758 F114.03
 X15.3312 Y.5111 Z-0.797 A-67.874 F114.03
 X15.4778 Y.5104 Z-0.7582 A-67.9722 F114.03
 X15.6244 Y.5097 Z-0.7194 A-68.0704 F114.03
 X15.7710 Y.509 Z-0.6806 A-68.1686 F114.03
 X15.9176 Y.5083 Z-0.6418 A-68.2668 F114.03
 X16.0642 Y.5076 Z-0.603 A-68.365 F114.03
 X16.2108 Y.5069 Z-0.5642 A-68.4632 F114.03
 X16.3574 Y.5062 Z-0.5254 A-68.5614 F114.03
 X16.5040 Y.5055 Z-0.4866 A-68.6596 F114.03
 X16.6506 Y.5048 Z-0.4478 A-68.7578 F114.03
 X16.7972 Y.5041 Z-0.409 A-68.856 F114.03
 X16.9438 Y.5034 Z-0.3702 A-68.9542 F114.03
 X17.0904 Y.5027 Z-0.3314 A-69.0524 F114.03
 X17.2370 Y.502 Z-0.2926 A-69.1506 F114.03
 X17.3836 Y.5013 Z-0.2538 A-69.2488 F114.03
 X17.5302 Y.5006 Z-0.215 A-69.347 F114.03
 X17.6768 Y.4999 Z-0.1762 A-69.4452 F114.03
 X17.8234 Y.4992 Z-0.1374 A-69.5434 F114.03
 X17.9700 Y.4985 Z-0.0986 A-69.6416 F114.03
 X18.1166 Y.4978 Z-0.0598 A-69.7398 F114.03
 X18.2632 Y.4971 Z-0.021 A-69.838 F114.03
 X18.4098 Y.4964 Z-0.0022 A-69.9362 F114.03
 X18.5564 Y.4957 Z-0.0034 A-70.0344 F114.03
 X18.7030 Y.495 Z-0.0046 A-70.1326 F114.03
 X18.8496 Y.4943 Z-0.0058 A-70.2308 F114.03
 X18.9962 Y.4936 Z-0.007 A-70.329 F114.03
 X19.1428 Y.4929 Z-0.0082 A-70.4272 F114.03
 X19.2894 Y.4922 Z-0.0094 A-70.5254 F114.03
 X19.4360 Y.4915 Z-0.0106 A-70.6236 F114.03
 X19.5826 Y.4908 Z-0.0118 A-70.7218 F114.03
 X19.7292 Y.4901 Z-0.013 A-70.82 F114.03
 X19.8758 Y.4894 Z-0.0142 A-70.9182 F114.03
 X20.0224 Y.4887 Z-0.0154 A-71.0164 F114.03
 X20.1690 Y.488 Z-0.0166 A-71.1146 F114.03
 X20.3156 Y.4873 Z-0.0178 A-71.2128 F114.03
 X20.4622 Y.4866 Z-0.019 A-71.311 F114.03
 X20.6088 Y.4859 Z-0.0202 A-71.4092 F114.03
 X20.7554 Y.4852 Z-0.0214 A-71.5074 F114.03
 X20.9020 Y.4845 Z-0.0226 A-71.6056 F114.03
 X21.0486 Y.4838 Z-0.0238 A-71.7038 F114.03
 X21.1952 Y.4831 Z-0.025 A-71.802 F114.03
 X21.3418 Y.4824 Z-0.0262 A-71.9002 F114.03
 X21.4884 Y.4817 Z-0.0274 A-72.0984 F114.03
 X21.6350 Y.481 Z-0.0286 A-72.1966 F114.03
 X21.7816 Y.4803 Z-0.0298 A-72.2948 F114.03
 X21.9282 Y.4796 Z-0.031 A-72.393 F114.03
 X22.0748 Y.4789 Z-0.0322 A-72.4912 F114.03
 X22.2214 Y.4782 Z-0.0334 A-72.5894 F114.03
 X22.3680 Y.4775 Z-0.0346 A-72.6876 F114.03
 X22.5146 Y.4768 Z-0.0358 A-72.7858 F114.03
 X22.6612 Y.4761 Z-0.037 A-72.884 F114.03
 X22.8078 Y.4754 Z-0.0382 A-72.9822 F114.03
 X22.9544 Y.4747 Z-0.0394 A-73.0804 F114.03
 X23.1010 Y.474 Z-0.0406 A-73.1786 F114.03
 X23.2476 Y.4733 Z-0.0418 A-73.2768 F114.03
 X23.3942 Y.4726 Z-0.043 A-73.375 F114.03
 X23.5408 Y.4719 Z-0.0442 A-73.4732 F114.03
 X23.6874 Y.4712 Z-0.0454 A-73.5714 F114.03
 X23.8340 Y.4705 Z-0.0466 A-73.6696 F114.03
 X23.9806 Y.4698 Z-0.0478 A-73.7678 F114.03
 X24.1272 Y.4691 Z-0.049 A-73.866 F114.03
 X24.2738 Y.4684 Z-0.0502 A-73.9642 F114.03
 X24.4204 Y.4677 Z-0.0514 A-74.0624 F114.03
 X24.5670 Y.467 Z-0.0526 A-74.1606 F114.03
 X24.7136 Y.4663 Z-0.0538 A-74.2588 F114.03
 X24.8602 Y.4656 Z-0.055 A-74.357 F114.03
 X25.0068 Y.4649 Z-0.0562 A-74.4552 F114.03
 X25.1534 Y.4642 Z-0.0574 A-74.5534 F114.03
 X25.3000 Y.4635 Z-0.0586 A-74.6516 F114.03
 X25.4466 Y.4628 Z-0.0598 A-74.7498 F114.03
 X25.5932 Y.4621 Z-0.061 A-74.848 F114.03
 X25.7398 Y.4614 Z-0.0622 A-74.9462 F114.03
 X25.8864 Y.4607 Z-0.0634 A-75.0444 F114.03
 X26.0330 Y.46 Z-0.0646 A-75.1426 F114.03
 X26.1796 Y.4593 Z-0.0658 A-75.2408 F114.03
 X26.3262 Y.4586 Z-0.067 A-75.339 F114.03
 X26.4728 Y.4579 Z-0.0682 A-75.4372 F114.03
 X26.6194 Y.4572 Z-0.0694 A-75.5354 F114.03
 X26.7660 Y.4565 Z-0.0706 A-75.6336 F114.03
 X26.9126 Y.4558 Z-0.0718 A-75.7318 F114.03
 X27.0592 Y.4551 Z-0.073 A-75.83 F114.03
 X27.2058 Y.4544 Z-0.0742 A-75.9282 F114.03
 X27.3524 Y.4537 Z-0.0754 A-76.0264 F114.03
 X27.4990 Y.453 Z-0.0766 A-76.1246 F114.03
 X27.6456 Y.4523 Z-0.0778 A-76.2228 F114.03
 X27.7922 Y.4516 Z-0.079 A-76.321 F114.03
 X27.9388 Y.4509 Z-0.0802 A-76.4192 F114.03
 X28.0854 Y.4502 Z-0.0814 A-76.5174 F114.03
 X28.2320 Y.4495 Z-0.0826 A-76.6156 F114.03
 X28.3786 Y.4488 Z-0.0838 A-76.7138 F114.03
 X28.5252 Y.4481 Z-0.085 A-76.812 F114.03
 X28.6718 Y.4474 Z-0.0862 A-76.9102 F114.03
 X28.8184 Y.4467 Z-0.0874 A-77.0084 F114.03
 X28.9650 Y.446 Z-0.0886 A-77.1066 F114.03
 X29.1116 Y.4453 Z-0.0898 A-77.2048 F114.03
 X29.2582 Y.4446 Z-0.091 A-77.303 F114.03
 X29.4048 Y.4439 Z-0.0922 A-77.4012 F114.03
 X29.5514 Y.4432 Z-0.0934 A-77.4994 F114.03
 X29.6980 Y.4425 Z-0.0946 A-77.5976 F114.03
 X29.8446 Y.4418 Z-0.0958 A-77.6958 F114.03
 X29.9912 Y.4411 Z-0.097 A-77.794 F114.03
 X30.1378 Y.4404 Z-0.0982 A-77.8922 F114.03
 X30.2844 Y.4397 Z-0.0994 A-77.9904 F114.03
 X30.4310 Y.439 Z-0.1006 A-78.0886 F114.03
 X30.5776 Y.4383 Z-0.1018 A-78.1868 F114.03
 X30.7242 Y.4376 Z-0.103 A-78.285 F114.03
 X30.8708 Y.4369 Z-0.1042 A-78.3832 F114.03
 X31.0174 Y.4362 Z-0.1054 A-78.4814 F114.03
 X31.1640 Y.4355 Z-0.1066 A-78.5796 F114.03
 X31.3106 Y.4348 Z-0.1078 A-78.6778 F114.03
 X31.4572 Y.4341 Z-0.109 A-78.776 F114.03
 X31.6038 Y.4334 Z-0.1102 A-78.8742 F114.03
 X31.7504 Y.4327 Z-0.1114 A-78.9724 F114.03
 X31.8970 Y.432 Z-0.1126 A-79.0706 F114.03
 X32.0436 Y.4313 Z-0.1138 A-79.1688 F114.03
 X32.1902 Y.4306 Z-0.115 A-79.267 F114.03
 X32.3368 Y.4299 Z-0.1162 A-79.3652 F114.03
 X32.4834 Y.4292 Z-0.1174 A-79.4634 F114.03
 X32.6300 Y.4285 Z-0.1186 A-79.5616 F114.03
 X32.7766 Y.4278 Z-0.1198 A-79.6598 F114.03
 X32.9232 Y.4271 Z-0.121 A-79.758 F114.03
 X33.0698 Y.4264 Z-0.1222 A-79.8562 F114.03
 X33.2164 Y.4257 Z-0.1234 A-79.9544 F114.03
 X33.3630 Y.425 Z-0.1246 A-80.0526 F114.03
 X33.5096 Y.4243 Z-0.1258 A-80.1508 F114.03
 X33.6562 Y.4236 Z-0.127 A-80.249 F114.03
 X33.8028 Y.4229 Z-0.1282 A-80.3472 F114.03
 X33.9494 Y.4222 Z-0.1294 A-80.4454 F114.03
 X34.0960 Y.4215 Z-0.1306 A-80.5436 F114.03
 X34.2426 Y.4208 Z-0.1318 A-80.6418 F114.03
 X34.3892 Y.4201 Z-0.133 A-80.74 F114.03
 X34.5358 Y.4194 Z-0.1342 A-80.8382 F114.03
 X34.6824 Y.4187 Z-0.1354 A-80.9364 F114.03
 X34.8290 Y.418 Z-0.1366 A-81.0346 F114.03
 X34.9756 Y.4173 Z-0.1378 A-81.1328 F114.03
 X35.1222 Y.4166 Z-0.139 A-81.231 F114.03
 X35.2688 Y.4159 Z-0.1402 A-81.3292 F114.03
 X35.4154 Y.4152 Z-0.1414 A-81.4274 F114.03
 X35.5620 Y.4145 Z-0.1426 A-81.5256 F114.03
 X35.7086 Y.4138 Z-0.1438 A-81.6238 F114.03
 X35.8552 Y.4131 Z-0.145 A-81.722 F114.03
 X36.0018 Y.4124 Z-0.1462 A-81.8202 F114.03
 X36.1484 Y.4117 Z-0.1474 A-81.9184 F114.03
 X36.2950 Y.411 Z-0.1486 A-82.0166 F114.03
 X36.4416 Y.4103 Z-0.1498 A-82.1148 F114.03
 X36.5882 Y.4096 Z-0.151 A-82.213 F114.03
 X36.7348 Y.4089 Z-0.1522 A-82.3112 F114.03
 X36.8814 Y.4082 Z-0.1534 A-82.4094 F114.03
 X37.0280 Y.4075 Z-0.1546 A-82.5076 F114.03
 X37.1746 Y.4068 Z-0.1558 A-82.6058 F114.03
 X37.3212 Y.4061 Z-0.157 A-82.704 F114.03
 X37.4678 Y.4054 Z-0.1582 A-82.8022 F114.03
 X37.6144 Y.4047 Z-0.1594 A-82.9004 F114.03
 X37.7610 Y.404 Z-0.1606 A-83.0986 F114.03
 X37.9076 Y.4033 Z-0.1618 A-83.1968 F114.03
 X38.0542 Y.4026 Z-0.163 A-83.295 F114.03
 X38.2008 Y.4019 Z-0.1642 A-83.3932 F114.03
 X38.3474 Y.4012 Z-0.1654 A-83.4914 F114.03
 X38.4940 Y.4005 Z-0.1666 A-83.5896 F114.03
 X38.6406 Y.3998 Z-0.1678 A-83.6878 F114.03
 X38.7872 Y.3991 Z-0.169 A-83.786 F114.03
 X38.9338 Y.3984 Z-0.1702 A-83.8842 F114.03
 X39.0804 Y.3977 Z-0.1714 A-83.9824 F114.03
 X39.2270 Y.397 Z-0.1726 A-84.0806 F114.03
 X39.3736 Y.3963 Z-0.1738 A-84.1788 F114.03
 X39.5202 Y.3956 Z-0.175 A-84.277 F114.03
 X39.6668 Y.3949 Z-0.1762 A-84.3752 F114.03
 X39.8134 Y.3942 Z-0.1774 A-84.4734 F114.03
 X39.9600 Y.3935 Z-0.1786 A-84.5716 F114.03
 X40.1066 Y.3928 Z-0.1798 A-84.6698 F114.03
 X40.2532 Y.3921 Z-0.181 A-84.768 F114.03
 X40.4000 Y.3914 Z-0.1822 A-84.8662 F114.03
 X40.5466 Y.3907 Z-0.1834 A-84.9644 F114.03
 X40.6932 Y.39 Z-0.1846 A-85.0626 F114.03
 X40.8398 Y.3893 Z-0.1858 A-85.1608 F114.03
 X40.9864 Y.3886 Z-0.187 A-85.259 F114.03
 X41.1330 Y.3879 Z-0.1882 A-85.3572 F114.03
 X41.2796 Y.3872 Z-0.1894 A-85.4554 F114.03
 X41.4262 Y.3865 Z-0.1906 A-85.5536 F114.03
 X41.5728 Y.3858 Z-0.1918 A-85.6518 F114.03
 X41.7194 Y.3851 Z-0.193 A-85.75 F114.03
 X41.8660 Y.3844 Z-0.1942 A-85.8482 F114.03
 X42.0126 Y.3837 Z-0.1954 A-85

YOUR COMPETITIVE EDGE

It is our mission to create software and services that solve manufacturing challenges — with an uncompromising focus on the success of our customers. The benefits you will appreciate in Mastercam 2020 result from four strategic touchpoints for connectivity, efficiency, and advanced technology in the development of Mastercam solutions for manufacturing.

PERFORMANCE

Powerful tools for speedy performance.

Mastercam is easy and intuitive to use but maintains a depth of features to support the most complicated jobs. Our toolpaths are elegant and remarkably efficient.

PRODUCTIVITY

Advanced solutions for manufacturing.

We help connect the largest CAM community worldwide, and our success is a direct result of listening and responding to industry needs for productivity solutions from job set up to job completion.

PARTNERSHIP

Focus and cooperation for innovation.

Our dedication to the manufacturing community drives Mastercam innovation. We collaborate with leading tooling, software, and machine tool manufacturers to develop new technologies.

PROGRESS

Managing resources for better results.

Opportunities to drive down costs and increase profits can be found across the entire shop. Mastercam supports improved use of data-driven manufacturing in the digital age.



Over **430** sales and support offices worldwide



Local training, services, and technical support in **100 countries**



Most **widely used** CAD/CAM software in the world



More than **260,000** installed seats of Mastercam

MOVING FORWARD – TOGETHER

Since day one, Mastercam has experienced steady growth and expansion. Our success is a direct result of staying connected — to our partner network, to our customer base, and to the trends of the manufacturing industry. We adapt to changing needs to ensure that your customer experience is the best it can be.

I am proud to represent a brand with a reputation for being dependable. From our support network to our technology, you can rely on us to get the job done, because our products and our company are here for more than just making a profit. We work with purpose, to leave a positive impact on everything we touch.

As we look at Mastercam 2020 and beyond, we continue to find new ways to increase speed and efficiency in both setup and production. In addition, we see a growing need to collect, analyze, and use data across the entire manufacturing process. From the initial order through final part delivery, manufacturers are using data to make better decisions, reduce bottlenecks, and react more quickly to changes. Increasingly, CAM software is being called upon to facilitate this connected, data-driven manufacturing process.

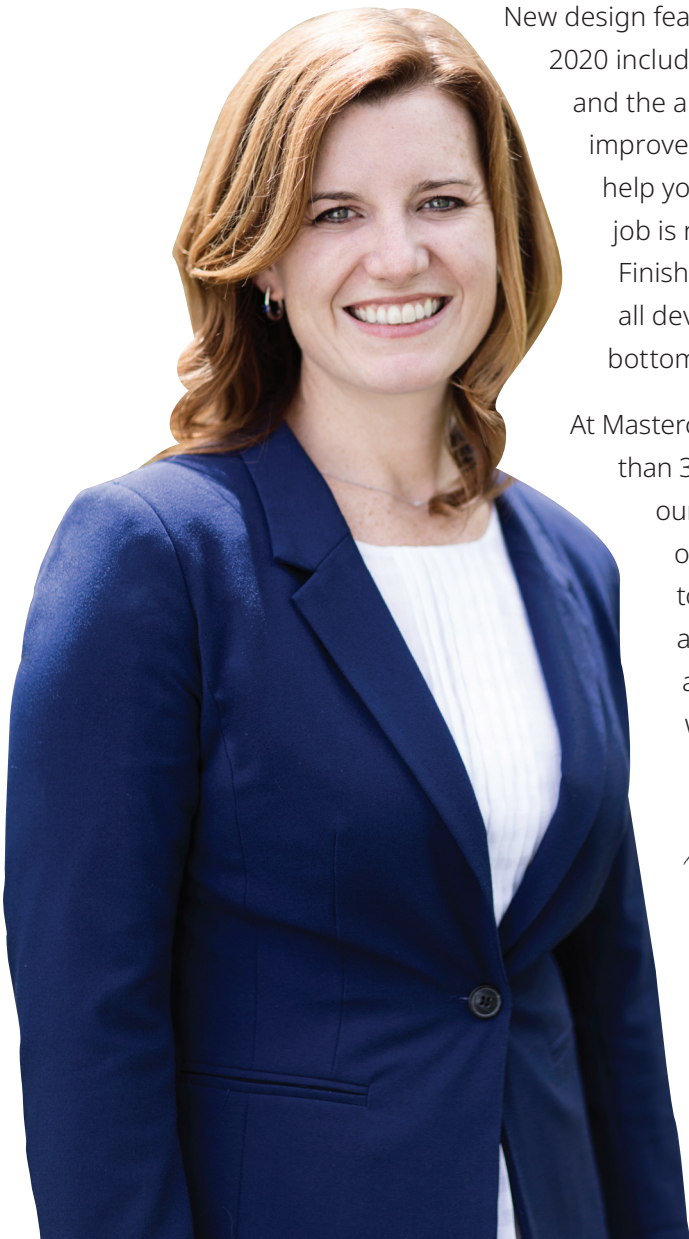
New design features and programming improvements in Mastercam 2020 include more realistic simulation, chaining enhancements, and the ability to track associativity to reduce setup time and improve production efficiency. Improved validation tools help you make better, more informed decisions before a job is run. 3D tool enhancements, ongoing Accelerated Finishing innovations, and an expanded tool library are all developments to maximize productivity and grow your bottom line.

At Mastercam, we listen to stakeholders, not stockholders. More than 35 years into this journey together, we remain loyal to our community of innovators and manufacturers. From our Masters of CAM initiative, to industry collaborations, to an unparalleled global Reseller network, we are all about customer success through service, innovation, and design. Together, we are finding new and better ways of doing business. Together, we are Shaping the Future of Manufacturing™.



Meghan West

President and CEO, CNC Software, Inc.



MASTERCAM'S LATEST INNOVAT

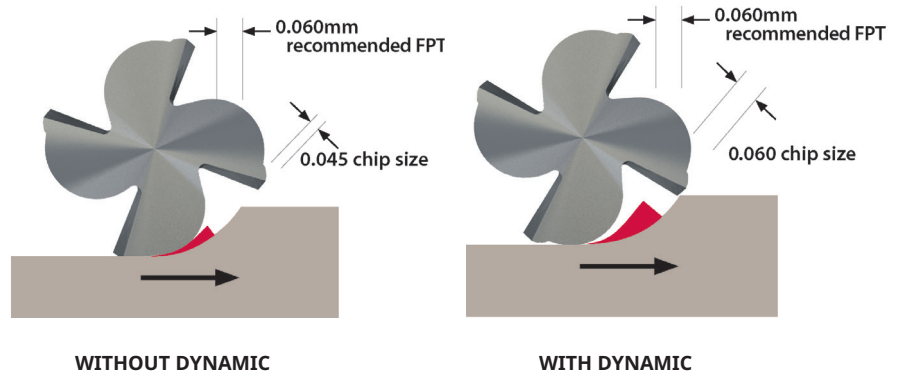
DYNAMIC MOTION TECHNOLOGY IS A GAME CHANGER



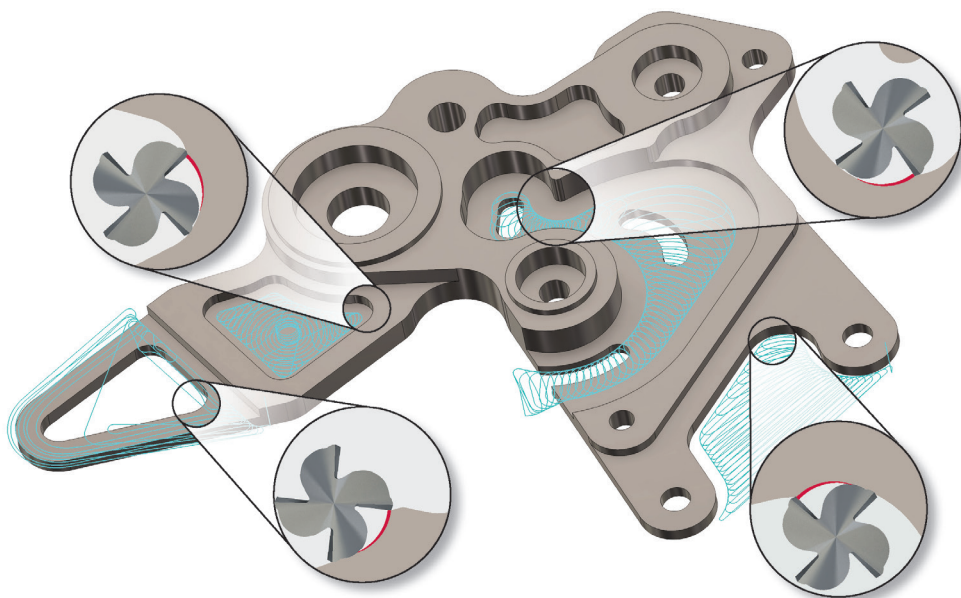
Dynamic Motion™ toolpaths maximize material removal rates and can reduce cycle times by 25 to 75%. Dynamic Motion uses a proprietary set of rules to continually adjust toolpath motion to maintain a constant chip thickness everywhere on the part. This results in consistent machining performance, shorter cycle times, and longer tool life.

The secret is in the chips.

A consistent chip load is crucial to an efficient cut. Mastercam's Dynamic toolpaths calculate the precise peak efficiency of the tool, material, and speed. When you get it right, heat is taken away in the chips, keeping the tool and part cool to the touch. You see it in uniform chip size. You hear it in how the machine runs. You'll appreciate it in dramatically shorter run times, fewer tool replacements, and a much stronger bottom line.



Dynamic Motion's power is derived from the recommended chip load for the tool, the optimum feed rate, and recommended surface speed.



Optimum cutting on any geometry.

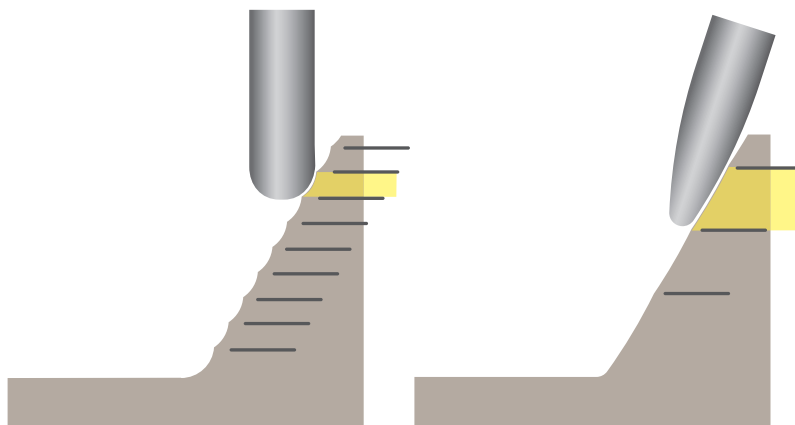
Dynamic Motion maintains conditions across the entire cut by calculating optimum feed rate for a given material, tool, and tool diameter. You will see that chip size never varies. You will hear the difference, too. No chirping, squealing, or chatter. Just fast, consistent, and safe machining.

IONS FROM START TO FINISHING

ACCELERATED FINISHING TECHNOLOGY GIVES YOU NEW WAYS TO WORK FASTER

The next leap forward in shorter cycle times.

Mastercam's Accelerated Finishing™ technology is a leap forward in addressing today's innovative profile tools and processes aimed at greater efficiency and higher machining productivity. Collaborating with the industry's smartest tool manufacturers, our software takes full advantage of these new tool designs to dramatically reduce finishing cycle times while actually improving surface finish.



Traditional ball or bullnose endmills require many passes and leave cusps to be finished later.

Newly designed finishing tools increase contact area. This means fewer passes and shorter cycle times with equal or better surface finish.

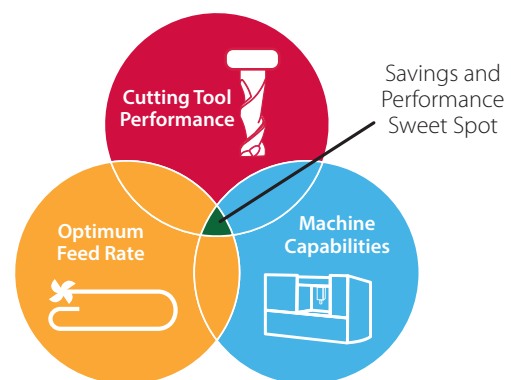
Fewer passes. Better surface finish.

Leveraging new designs in large-radius tool profiles, Mastercam's Accelerated Finishing maximizes tool contact area. That means fewer passes, flatter cusps, and a better surface finish.

Innovations designed for your business.

Mastercam's Dynamic Motion toolpaths cut roughing times by up to 75%. And now with our exclusive Accelerated Finishing technology, total cycle times are again being dramatically reduced.

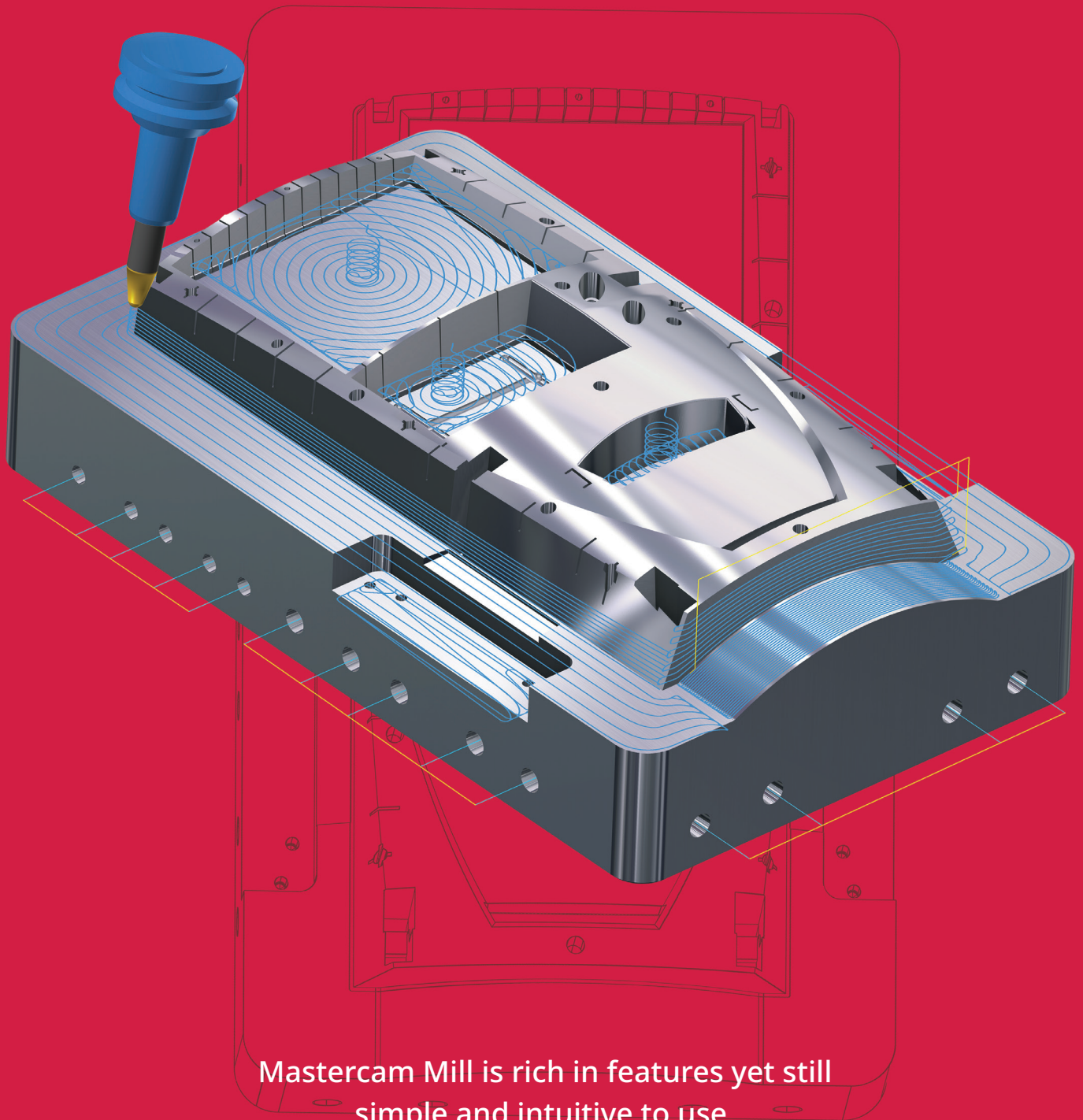
Maximum machining effectiveness is achieved at the intersection of optimal machine capability, maximum cutting tool performance, and optimized toolpath strategies. Mastercam's Dynamic Motion and Accelerated Finishing technologies provide the toolpath performance needed to reach this goal.



Mastercam is designed to help you consistently hit the savings and performance "sweet spot" of faster run times and less wear on machines and tools.



MILL



Mastercam Mill is rich in features yet still simple and intuitive to use.



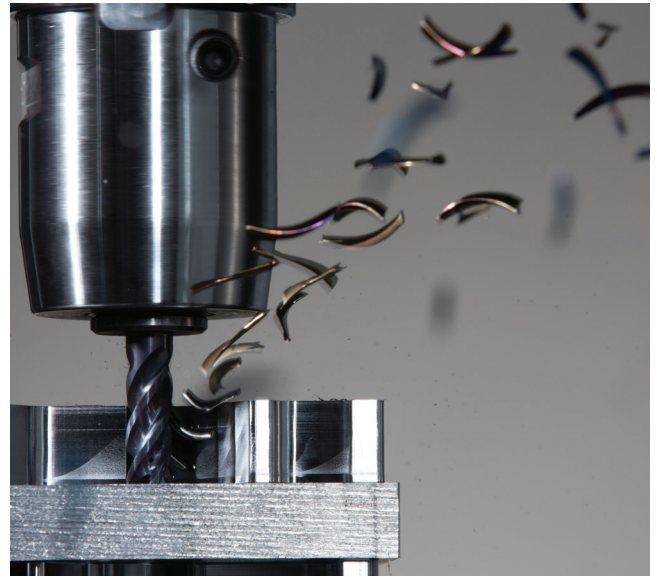
Mastercam Mill includes the option to run a corresponding **Mastercam for SOLIDWORKS®** environment. Standalone licenses of Mastercam for SOLIDWORKS® Mill and Mill 3D are also available for purchase.

INTELLIGENT MACHINING SAVES TIME AND MONEY

Mastercam's Dynamic Motion and Accelerated Finishing combine for powerful productivity gains.

For nearly a decade, Mastercam has included Dynamic Motion. Carving out massive amounts of material quickly while dramatically extending tool life, Dynamic Motion immediately saves money. Combined with vendor-specific tool support and Mastercam's expanded Accelerated Finishing, projects come off the machine faster and with higher quality than ever before.

Mastercam Mill has been shop-tested more than any CAM program in the world. You can count on Mastercam for real-world, proven results.



TIME AND MONEY

100 steel (4140) parts cut with and without Dynamic toolpaths.

WITH

3 mins. 17 secs.

\$100/hour machine cost

3 mins. 17 secs. x \$100/hour
= \$6.03

\$6.03 per part

x 100 parts =

\$603

WITHOUT

16 mins. 41 secs.

\$100/hour machine cost

16 mins. 41 secs. x \$100/hour
= \$27.81

\$27.81 per part

x 100 parts =

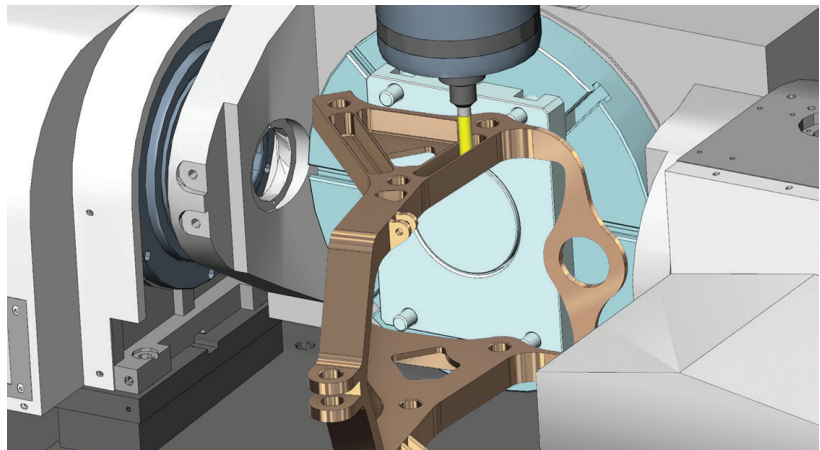
\$2,781

**Real world savings
of 78%**

Flexible, expandable, and connected.

Comprehensive toolpath strategies provide multiple approaches for programming any part, regardless of complexity. Modify any element, and toolpaths are updated, eliminating rework.

Build libraries of your favorite machining strategies. Choose customized operations, apply them to your next job, and reduce your programming time. With interfaces to digital tool libraries and other manufacturing software, Mastercam ensures you are ready for the next digital revolution. Fast, easy, productive — the way programming should be.



Mastercam's active Stock Model, Toolpath Verification, and Simulation mean increased confidence on every project. Tool library support, including CoroPlus® and MachiningCloud, helps you make tooling decisions fast.

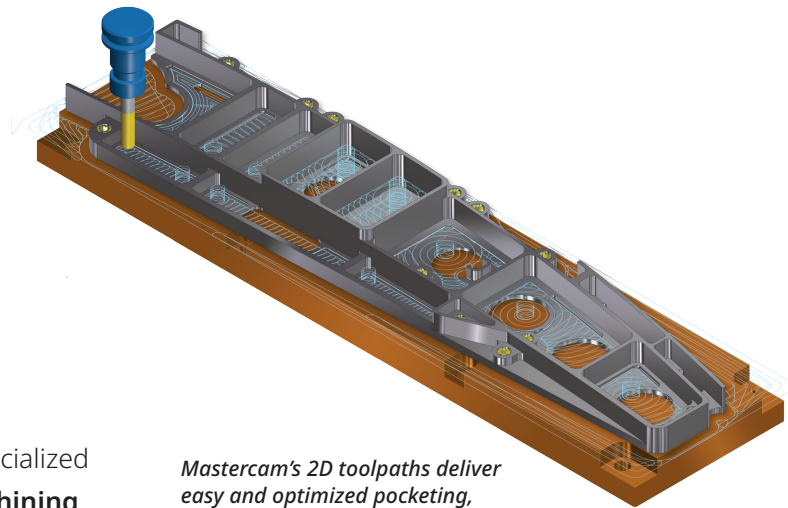
2D MACHINING

Serious 2D capability.

From simple to complex, Mastercam Mill's 2D machining capability delivers the tools you need to compete.

- **Feature Based Machining** (FBM) automatically programs prismatic solid features like drill holes, contours, and pockets.
- Easy, automated, flexible hole making.
- Precision chip control for a wide set of tools, plus specialized tool support including ISCAR®'s **High Efficiency Machining** (HEM) tool set and more.

Dynamic Motion powers much of our 2D solutions. It allows you to maximize your material removal rate and can lower your cycle time, while increasing the life of your cutting tools. Check out [Mastercam.com/Dynamic](https://www.mastercam.com/Dynamic) to learn more.



Mastercam's 2D toolpaths deliver easy and optimized pocketing, contouring, drilling, facing, and much more.



The proof of any CAM software is what comes off the machine. Mastercam is crafted to help you get the best possible finish in the shortest amount of time.

3D MACHINING

Our finish is more finished.

Mastercam provides unsurpassed control on surface cuts, delivering superior finishes and optimized cycle times.

- Mastercam's Dynamic Motion technology powers **dramatically efficient roughing**.
- Constant scallop machining maintains a consistent finish on sloped and flat surfaces.
- Constant-Z rest milling (remachining) identifies and machines areas needing a smaller tool.
- **Hybrid finishing** creates a single toolpath that changes cut methods as the slope changes.
- **Pencil tracing** walks a tool along the intersection of surfaces to clean out hard-to-reach areas.

Cut multiple surfaces, solid models, and STL data — our refined 3D toolpaths give you a smooth, precision finish to please even your toughest customers.

MULTIAXIS MACHINING

Complexity simplified.

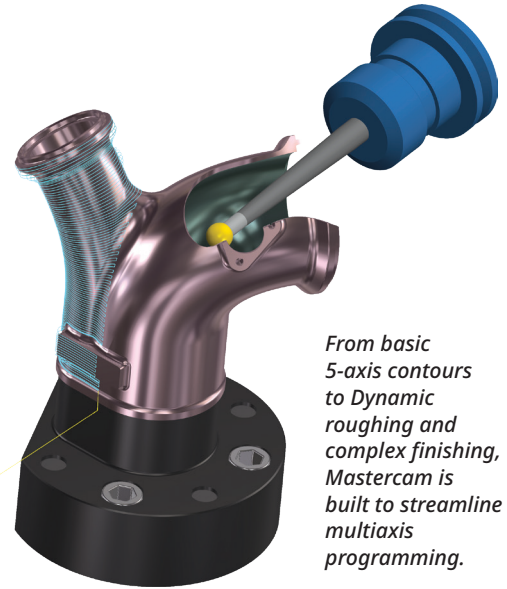
With Mastercam, you have complete control over the three crucial elements of multiaxis machining: cut pattern, tool axis control, and collision avoidance. From 4-axis rotary and roll-die cutting to multiblade impellers with tight internal cuts, Mastercam helps simplify even the most complex jobs.

Other highlights include:

- **Multisurface 5-axis** roughing and finishing (including depth cuts), plunge roughing, and flowline machining.
- Swarf machining over multisurface floors.
- **Advanced gouge checking**, a “safe zone” around the part, and safe linking between operations .
- Fast, simple 5-axis trimming and stock-aware drilling.
- Ability to create full 5-axis motion from a **3-axis toolpath**.

For specialty machining, ask about these available Add-Ons:

- **Mastercam Blade Expert** for multibladed parts and hubs.
- **Mastercam Port Expert** for head ports and tube-type applications.



From basic 5-axis contours to Dynamic roughing and complex finishing, Mastercam is built to streamline multiaxis programming.

MASTERCAM'S SPECIALIZED ADD-ONS

Very often, that one additional CAD or CAM tool makes a specific job easier, faster, and more profitable. If you need very specialized options to precisely match your customer, your workflow, or your products, Mastercam Add-Ons can help.



Port Expert

Create precision engine cylinder head porting toolpaths on surface or solid data, while minimizing unnecessary motion.



Blade Expert

Highly efficient toolpaths for multibladed parts, delivering superior blades, splitters, floors, and fillets.



ProDrill

Automatically detect, group, and apply drill strategies to large amounts of holes, and automatically create tool definitions from existing geometry.



5-Axis Curve Machining and Drilling

Two targeted, powerful, multiaxis techniques that add extra flexibility to your milling; can be upgraded to the full Multiaxis product.



Mastercam Productivity+™

Brings Renishaw® in-process probing and inspection to your Mastercam programs. Easily set up, validate, and even make in-process adjustments where appropriate.

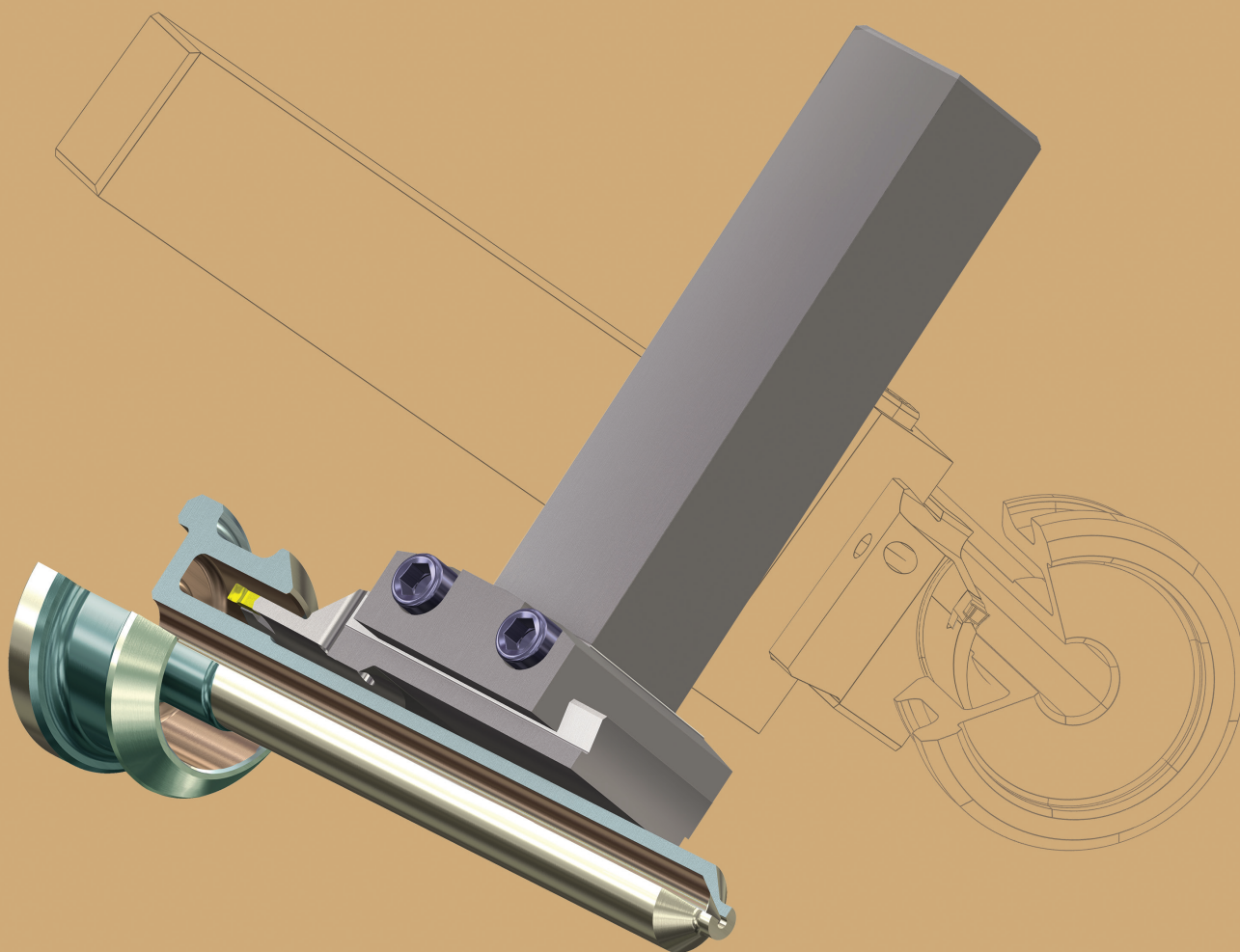


Art

Quickly bring your 2D sketches, clip art, photos, and CAD files to life by crafting them on-screen and cutting them with easy, specialized toolpaths.



LATHE



Mastercam Lathe lets you move the same part file between milling and turning operations with ease and confidence.



Mastercam Lathe includes the option to run a corresponding Mastercam for SOLIDWORKS® environment. Standalone licenses of Mastercam for SOLIDWORKS® Lathe are also available for purchase.

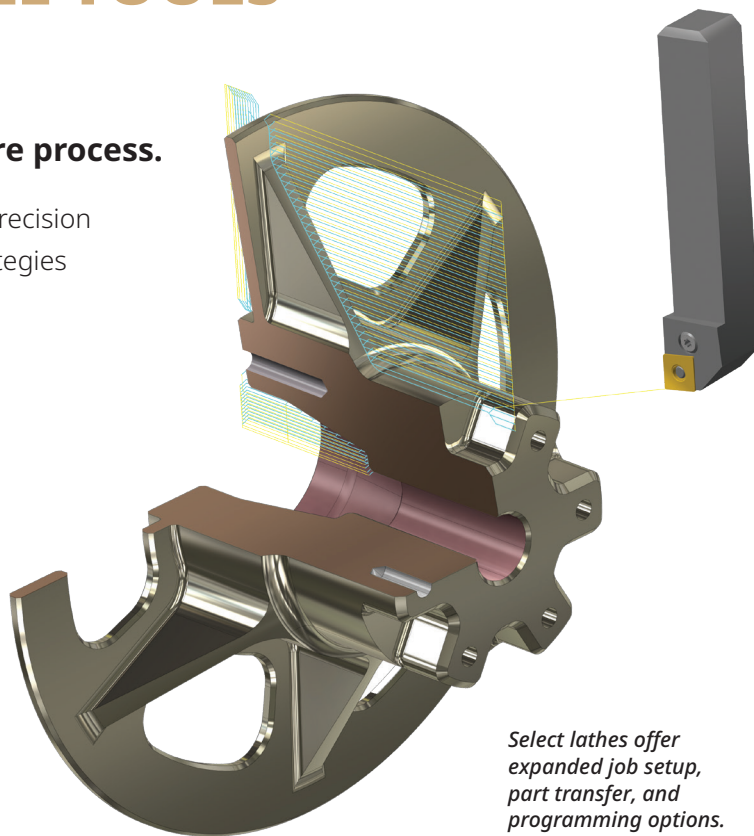
POWERFUL, FLEXIBLE TOOLS FOR TURNING

A set of tools that streamlines your entire process.

From importing CAD files to Dynamic roughing and precision finishing, Mastercam Lathe gives you a variety of strategies to turn parts with greater efficiency and productivity.

Efficient programming, designed for modern manufacturing.

Mastercam Lathe delivers a set of easy-to-use, advanced programming tools, with greatly expanded options when paired with Mastercam Mill. Easy rough, finish, thread, groove, bore, and drill routines combine with C/Y-axis machining to cut any job. Dependable toolpath verification ensures your parts are done right the first time.



Select lathes offer expanded job setup, part transfer, and programming options.

TIME AND MONEY

100 Hastelloy parts cut with and without Dynamic toolpaths.

WITH	WITHOUT
40 minutes	5 hours
1.5 inserts per part	12.5 inserts per part
40 mins. x \$100/hour = \$66	5 hours x \$100/hour = \$500
1.5 inserts @ \$25 = \$37.50	12.5 inserts @ \$25 = \$312.50
\$103.50 per part x 100 parts = \$10,350	\$812.50 per part x 100 parts = \$81,250

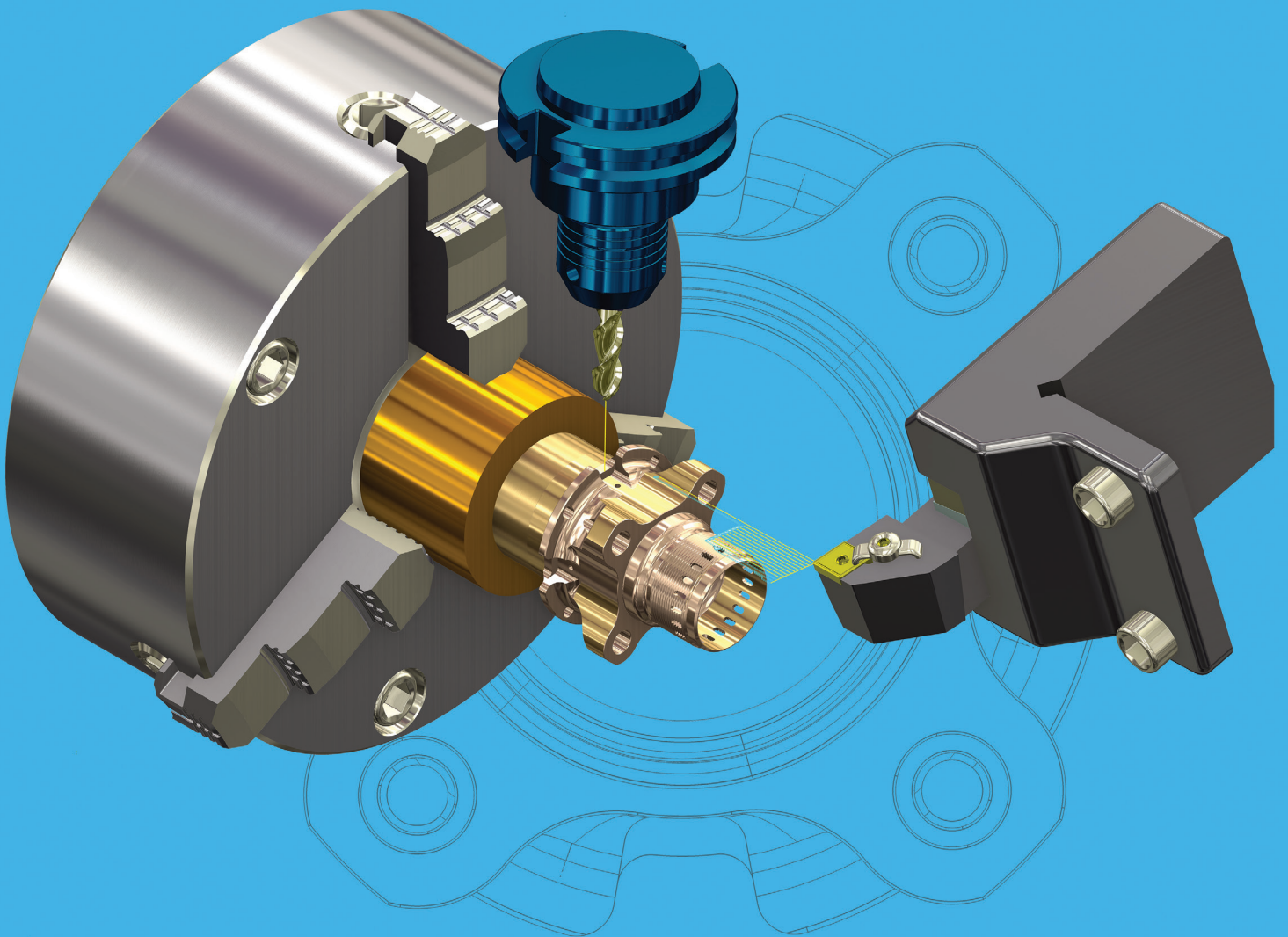
Real world savings of 87%

Important turning features.

- **Quick Toolpaths** let you program in a few clicks.
- Intelligent ID and OD roughing.
- **Dynamic Motion** roughing extends insert life.
- Rough parts in sections or over the entire model.
- Fast facing including roughing and finishing.
- Grooving with multiple depth cuts, including peck motion and full-radius plunge turning.
- Complete and easy threading.
- Control chip breakage on difficult-to-machine materials.
- **Automatic gouge checking** on the tool's front and back.
- Chuck, part, steady rest, and tailstock detection.
- Easily machine wireframe, surface, and solid models.
- Create turning profiles on any shaped part.
- **Full milling support available** for machines with live tooling for C and Y axes.
- Expanded job setup, part transfer, and programming options on select lathes.



MILL-TURN



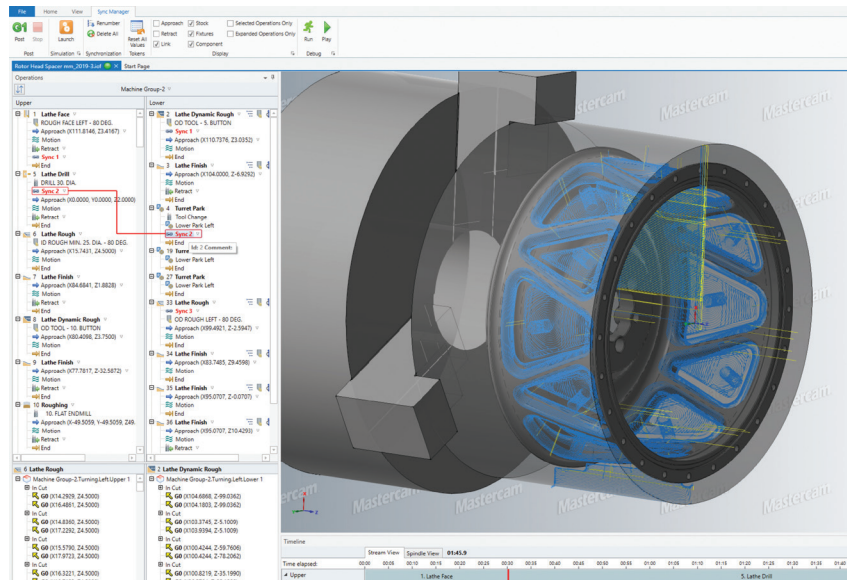
Automate your complex programs on today's high-powered, multitasking machining centers. Program it right the first time, every time.

SIMPLIFY COMPLEX MACHINING

Mastercam Mill-Turn simplifies today's high-powered, multistream machining centers.

With Mastercam, your workflow is efficient. Choose your machine, and Mastercam Mill-Turn automates part transfers, tool planes, stock definition, and setup. Then apply your toolpaths, quickly synchronize them, verify your project with simulation, and post your code. Changes along the way are fast and easy — the way programming should be.

Mill-Turn's Sync Manager is a user-friendly way to optimize part cycle times and manage interactions between toolpath operations. Easily navigate our Gantt-style timeline and vertical stream interface to coordinate operations and track cycle times.



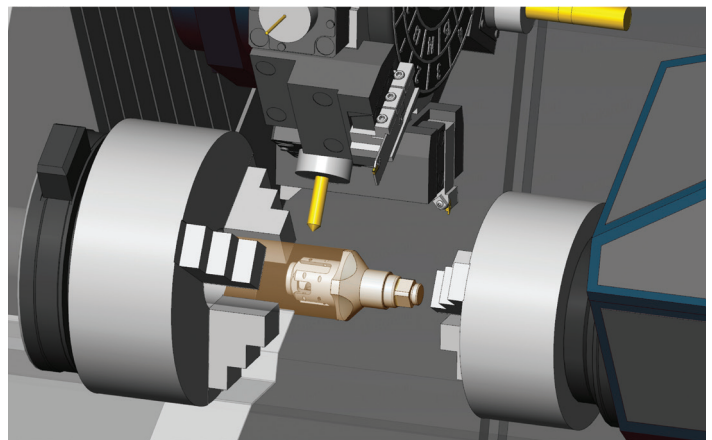
Fast, flexible setup, synchronization, and simulation combine to help you get the most out of your mill-turn machines.

Get more out of your machines with Machine Simulation.

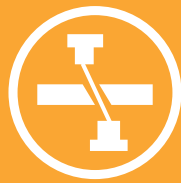
Machine Simulation provides visual verification and assurance that the interaction and syncing between operations performs exactly as you planned. Validate against potential collisions and track cycle time estimates to achieve maximum efficiency.

Avoid mistakes. Save time and money.

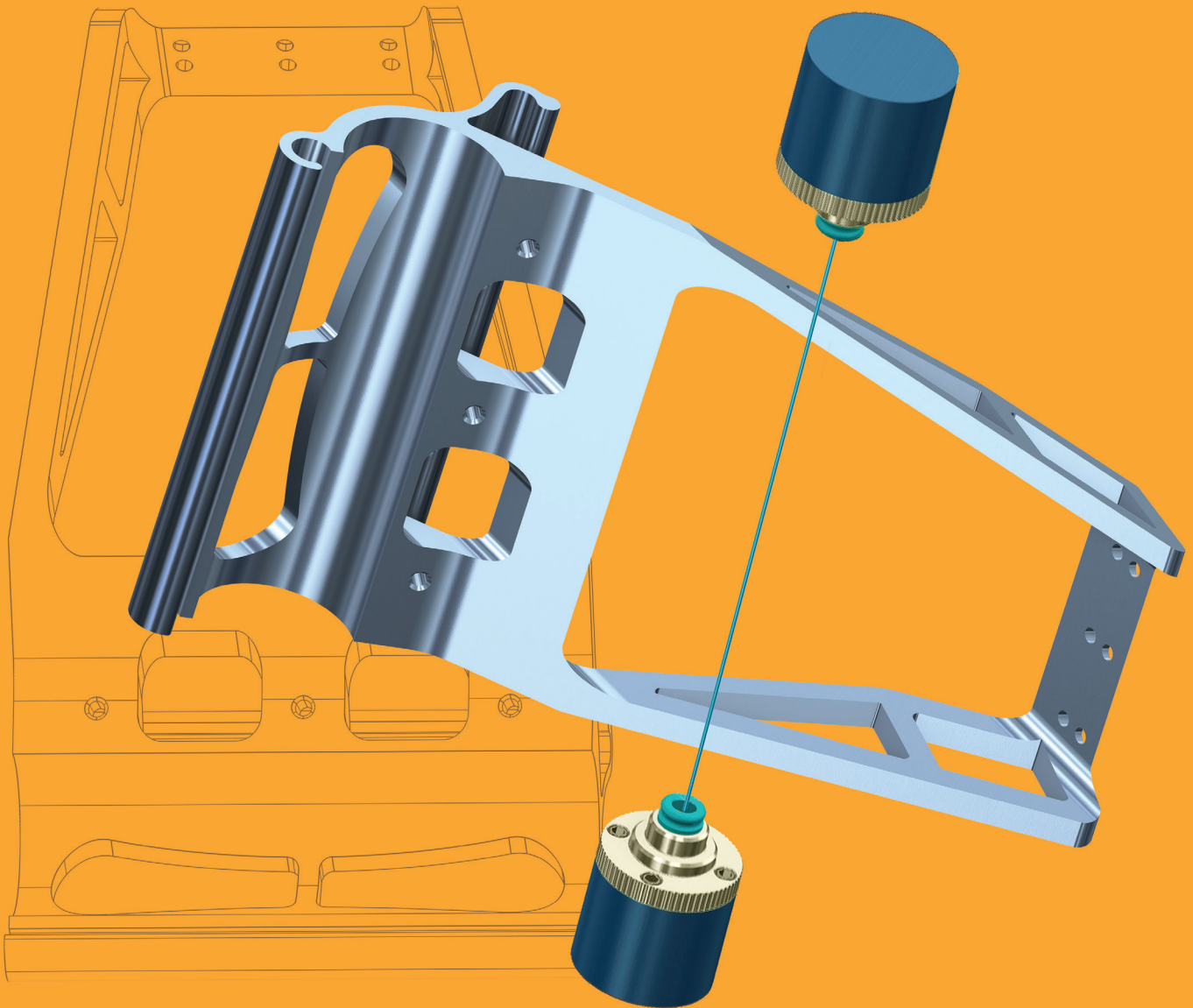
All machine components, workholding, stock, tools, and parts are simulated from the safety of your desktop, ensuring a safe and secure machining experience. You can identify potential collisions, see your cutting motion, and explore ways to optimize your processes with simulation. View all streams and statistics of the entire machining process with the capability to jump to any point in the process with the click of a button.



Get the most from your machine with multistation and half-index tool support.



WIRE



Mastercam Wire delivers powerful, comprehensive wirepaths in a streamlined, easy-to-use interface.

THE MASTERCAM DIFFERENCE

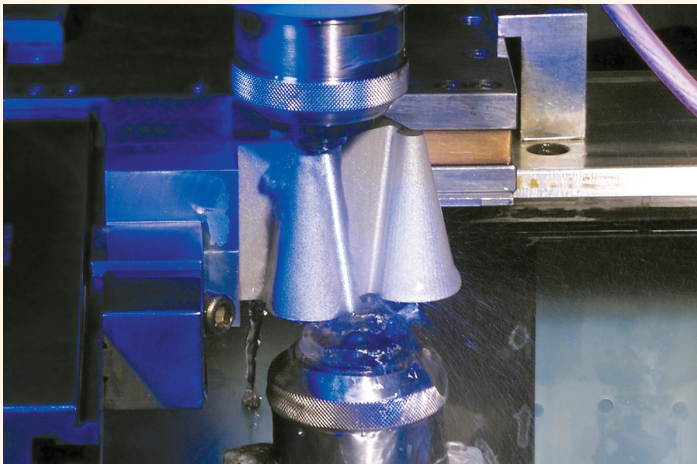
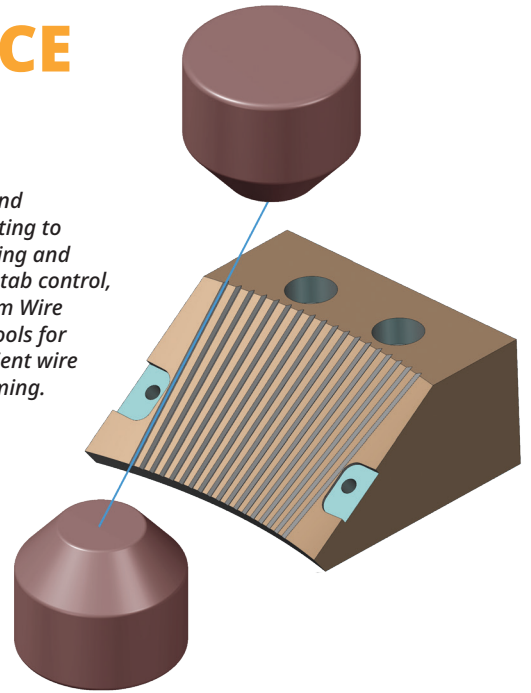
Designed for efficiency.

Mastercam Wire lets you move a single part file between machines, saving time and avoiding mistakes. User-customizable wire libraries store power settings and other registers for rough and skim passes.

Other features include:

- Efficient tab creation and management.
- Control settings for corner types and taper angles at any point in the contour.
- Straight or tapered cut from either direction.

From 2- and 4-axis cutting to easy syncing and complete tab control, Mastercam Wire delivers tools for fast, efficient wire programming.



Having the best software is only one of many ingredients for success.

A global community of Mastercam users, experts, educators, and enthusiasts helps you get the most from your investment. Mastercam Resellers bring years of experience, helping to ensure that you are getting the most practical and comprehensive support in the industry.

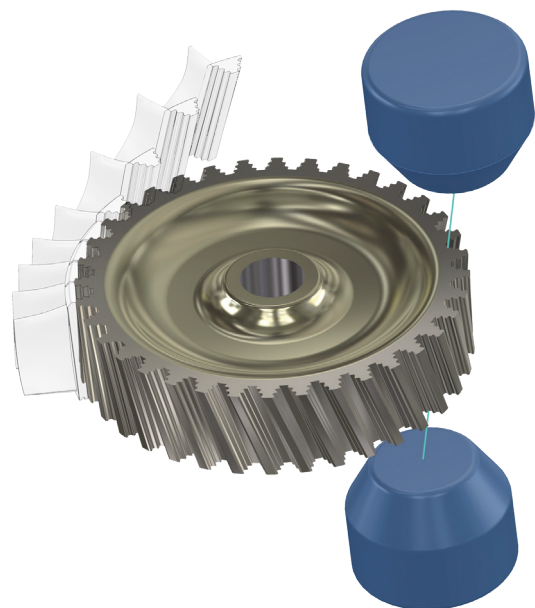
Machine support for Mitsubishi, Sodick, Makino, AgieCharmilles, and many others.

Expand your shop's capabilities.

For basic 2-axis contouring and complex 4-axis motion, Mastercam ensures that you are ready for any job. Mastercam delivers:

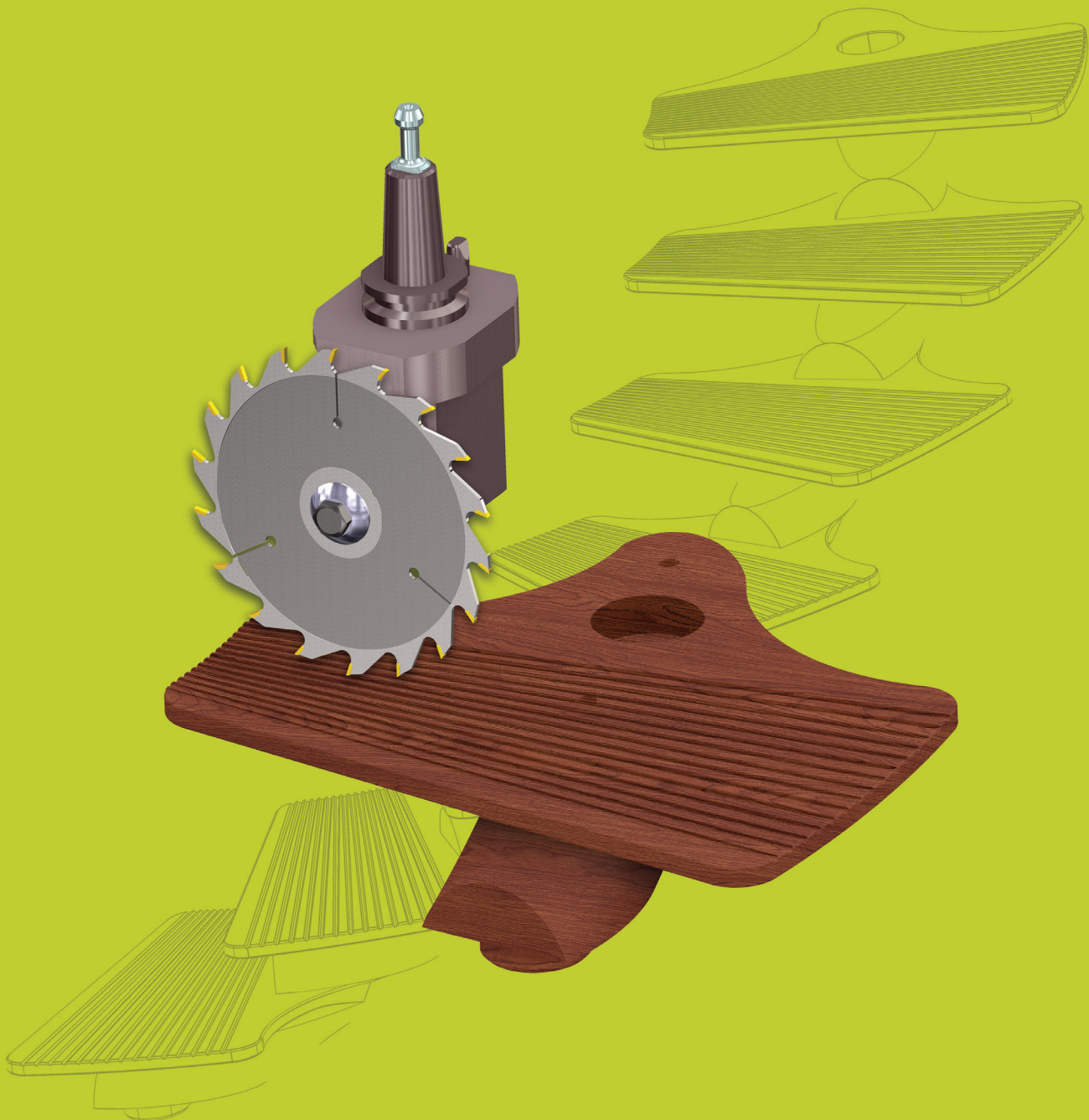
- **Contouring** made easy in 2- or 4-axis.
- **Automatic** lead-in and lead-out strategies.
- **Automatic or manual** 4-axis syncing.
- **Automatic** skim and reverse cuts.

Open virtually any CAD file or use Mastercam's built-in 3D modeling tools.





ROUTER



Mastercam Router brings complex routing functionality with an easy-to-use interface.



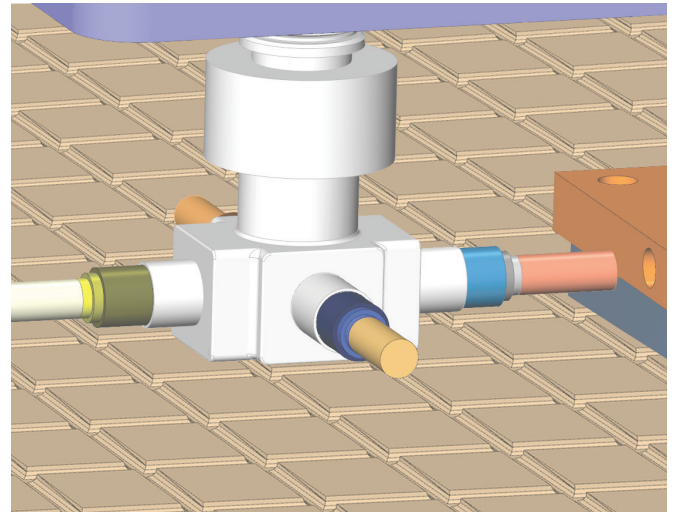
Mastercam Router and Router 3D include the option to run a corresponding Mastercam for **SOLIDWORKS**® environment.

FLEXIBLE AND EXPANDABLE

Mastercam Router offers solutions for all your 2D, 3D, or multiaxis challenges — from wood to composites.

Once you program a part, no matter how complex, you can modify any element of the job and immediately get updated toolpaths without slowing down. You can also build a library of your favorite machining strategies and apply them to new models.

Mastercam's powerful Dynamic Motion technology not only helps extend tool life and reduce machine wear, but helps eliminate tool dwell damage as well. **Automatic Toolpathing (ATP)** brings in parts from today's top design packages to help speed flat panel work.



Mastercam Router streamlines multiple tool programming including block drills and aggregate heads.



Part and toolpath nesting increase project yields and profitability.

A comprehensive package of powerful tools.

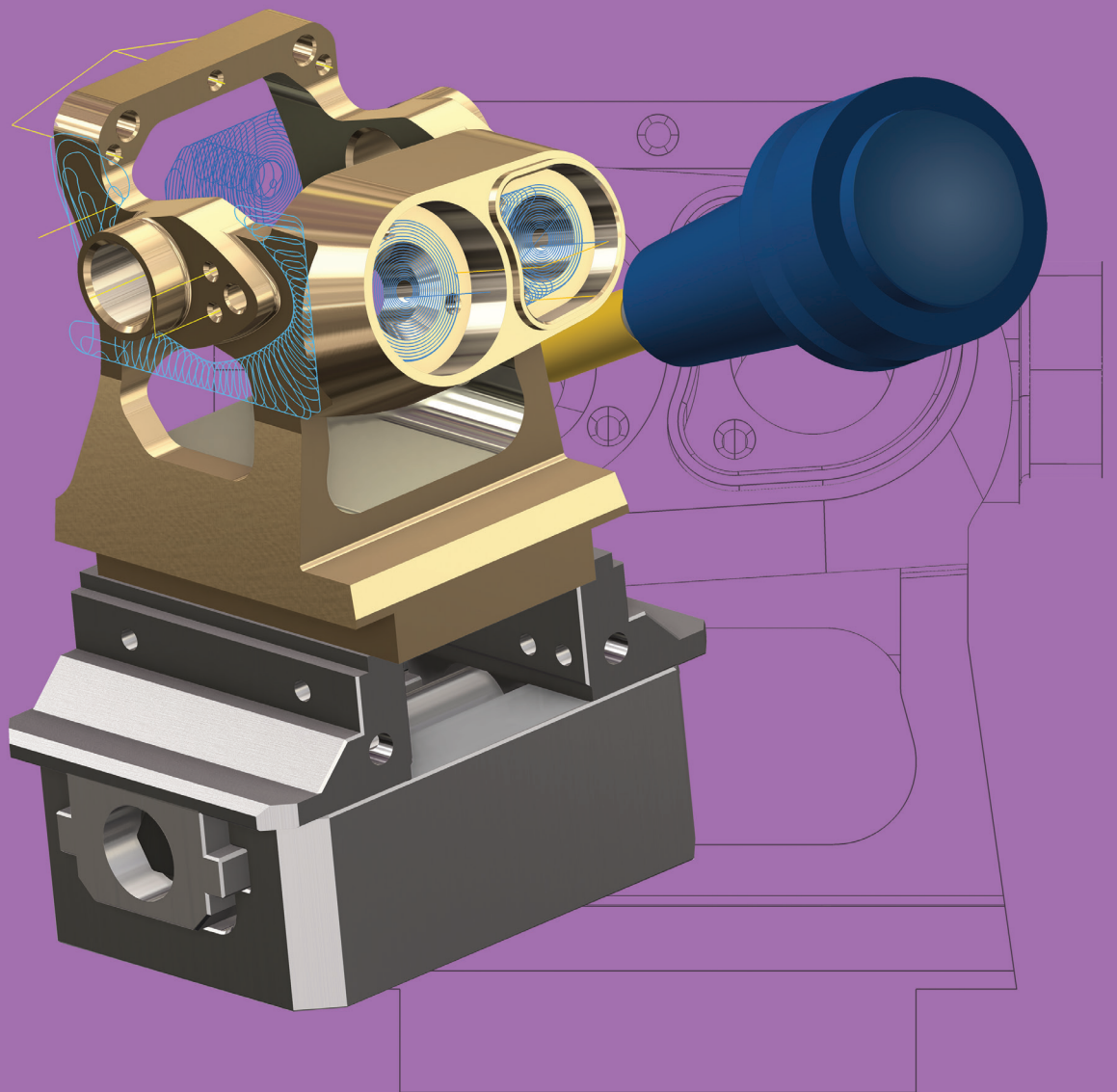
2D machining can range from simple to very complex. Mastercam Router delivers powerful 2D tools from contouring, pocketing, and drilling to automated, feature-based, solid model programming.

For 3D machining, Mastercam Router gives you streamlined, efficient 3D roughing and finishing, including automated leftover stock cleanup.

Mastercam's multiaxis capabilities give you complete control over the three crucial elements of multiaxis machining: cut pattern, tool axis control, and collision avoidance.



MASTERCAM for SOLIDWORKS®



Mastercam for SOLIDWORKS® combines the world's leading modeling software with the world's most widely used CAM software.



Mastercam Mill, Mill 3D, Lathe, Router, and Router 3D **include** the option to run a corresponding Mastercam for SOLIDWORKS® environment. **Standalone** licenses of Mastercam for SOLIDWORKS® Mill, Mill 3D, and Lathe products are also available for purchase.

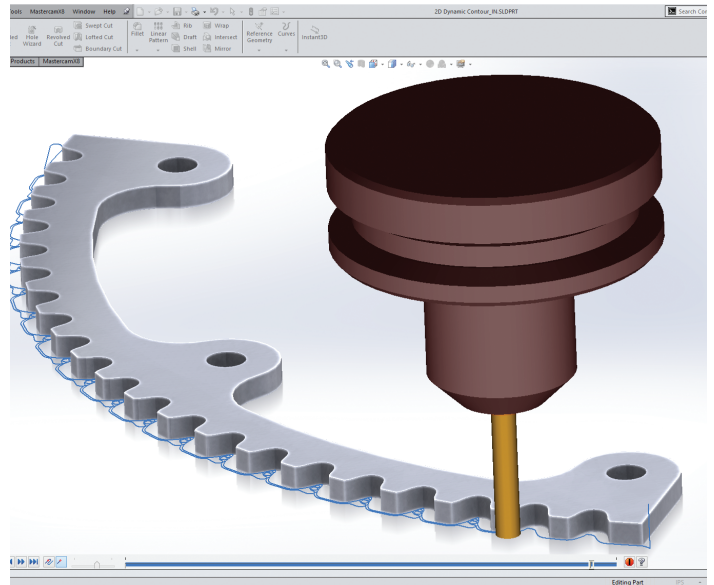
SOLIDWORKS USERS FEEL AT EASE WITH MASTERCAM

Mastercam for SOLIDWORKS combines the world's leading modeling software with the world's most widely used CAM software.



With Mastercam toolpaths integrated directly within the SOLIDWORKS environment, the toolpaths are applied directly to the part or assembly. Intelligent use of design tables and multiple configurations makes working with families of parts easy.

As a Certified Gold Product, Mastercam for SOLIDWORKS delivers the absolute best in 2- through 5-axis milling, routing, and turning CAD/CAM integration.



TIME AND MONEY

100 steel (4140) parts cut with and without Dynamic toolpaths.

WITH

3 mins. 17 secs.

\$100/hour machine cost

3 mins. 17 secs. x \$100/hour
= \$6.03

\$6.03 per part
x 100 parts =
\$603

WITHOUT

16 mins. 41 secs.

\$100/hour machine cost

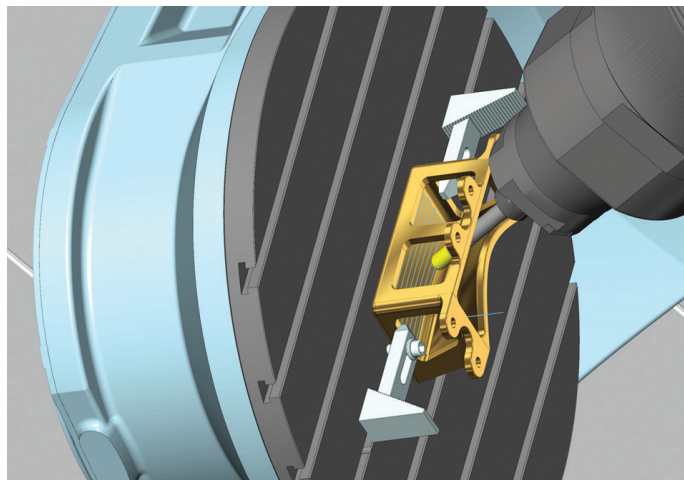
16 mins. 41 secs. x \$100/hour
= \$27.81

\$27.81 per part
x 100 parts =
\$2,781

**Real world savings
of 78%**

Flexible and expandable.

No matter how complex a part, with toolpath associativity, any modification to the job means the toolpaths are updated immediately. You can also build a library of your favorite machining strategies, apply them to a part, and Mastercam helps adapt them to the new model. Because Mastercam for SOLIDWORKS is a fully integrated SOLIDWORKS Certified Gold Product, it's fast, easy, and productive — the way programming should be.



Mastercam's active Stock Model, Toolpath Verification, and Simulation mean increased confidence on every project. Tool library support, including CoroPlus® and MachiningCloud, helps you make tooling decisions fast.

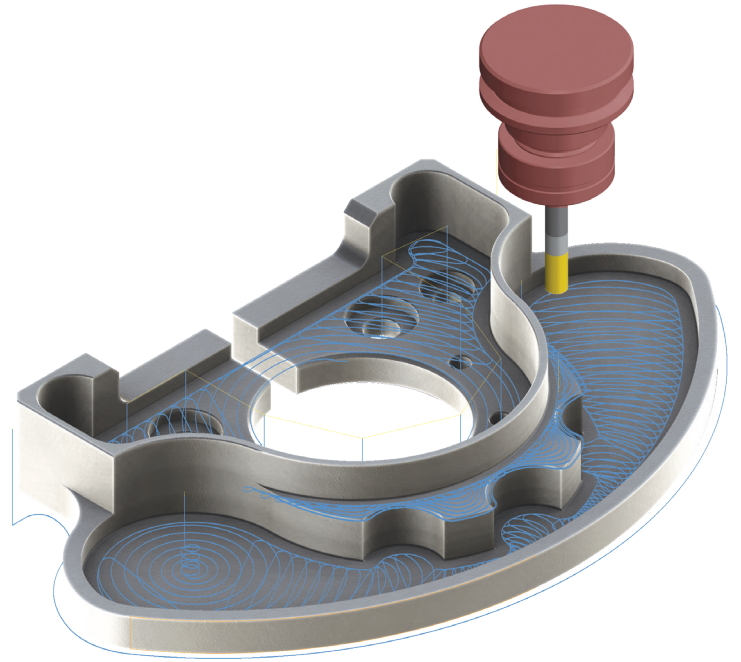
2D MACHINING

Serious 2D capability.

Your daily needs for 2D machining can range from simple to very complex. Mastercam for SOLIDWORKS delivers the tools you need.

- **Feature Based Machining (FBM)** automatically programs prismatic solid features like drill holes, contours, and pockets.
- **Remachining** uses smaller tools to automatically clean out material left from previous operations.

Dynamic Motion powers much of our 2D solutions. It allows you to maximize your material removal rate and can lower your cycle time, while increasing the life of your cutting tools. Check out Mastercam.com/Dynamic to learn more.

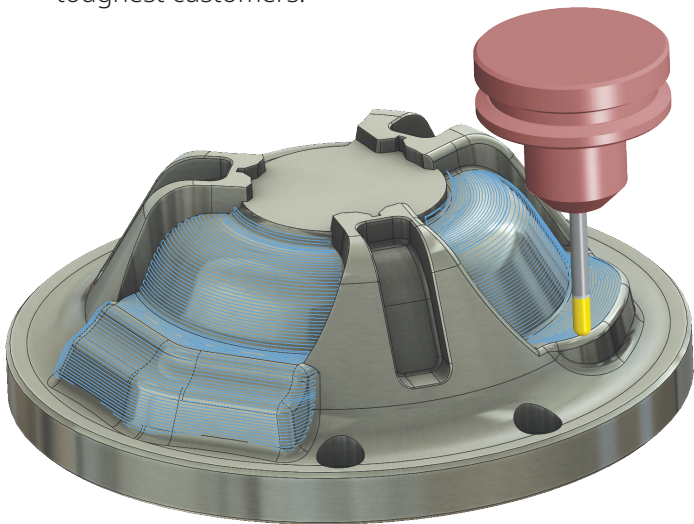


2D toolpaths in Mastercam for SOLIDWORKS deliver easy and optimized pocketing, contouring, drilling, facing, and more.

3D MACHINING

Our finish is more finished.

Mastercam delivers superior finishes and optimized cycle times. Our smart, hybrid finishing creates a single toolpath that changes cut methods as the slope of the model changes. Our refined 3D toolpaths give you the smooth, precision finish to please even your toughest customers.



From the smallest medical part to the largest automotive mold, Mastercam for SOLIDWORKS ensures efficient roughing and precision finishing for any product.

- **Dramatically efficient roughing** powered by Mastercam's Dynamic Motion technology.
- Equal Scallop strategy provides superior surface finish and smooth machine motion.
- Constant-Z rest milling (remachining) identifies and machines areas that need to be cut with a smaller tool.
- **Hybrid finishing** creates a single toolpath that changes cut methods as the slope of the model changes.
- **Pencil tracing** walks a tool along intersections to clean out hard-to-reach areas, such as internal fillets.

TIME AND MONEY

"Mastercam for SOLIDWORKS is making my job easier. I've been using Dynamic toolpaths to get better finishes. It works so well that I'm getting work done in half the time."

Nolan Farmer, Owner
Farmer Plastics & Machining, Inc., Jamestown, CO

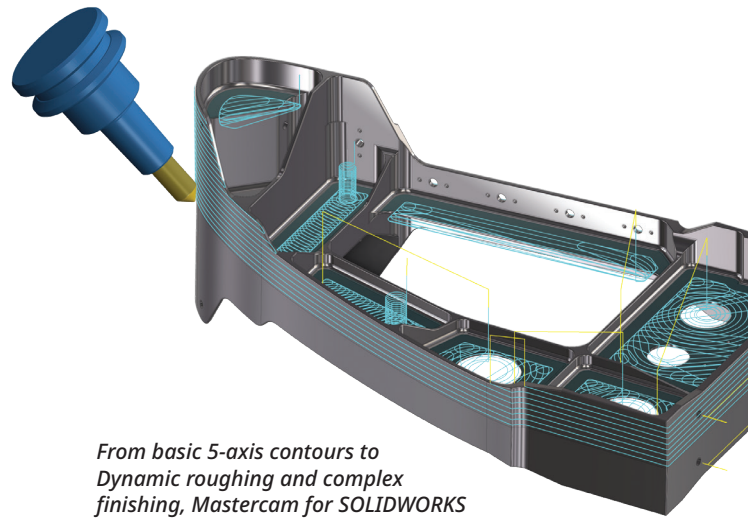
MULTIAXIS MACHINING

Complexity simplified.

Mastercam for SOLIDWORKS gives you streamlined control over the three crucial elements of multiaxis machining: cut pattern, tool axis control, and collision avoidance. From 4-axis rotary and roll die cutting to multiblade impellers with tight internal cuts, Mastercam helps simplify even the most complex jobs.

Other highlights include:

- **Multisurface 5-axis** roughing and finishing (including depth cuts), plunge roughing, and flowline machining.
- Swarf machining over multisurface floors.
- **Advanced gouge checking** and safe tool motion around the work piece.
- Fast, simple 5-axis trimming and stock-aware drilling.
- Easy creation of complex, 5-axis motion from simple, 3-axis toolpaths.

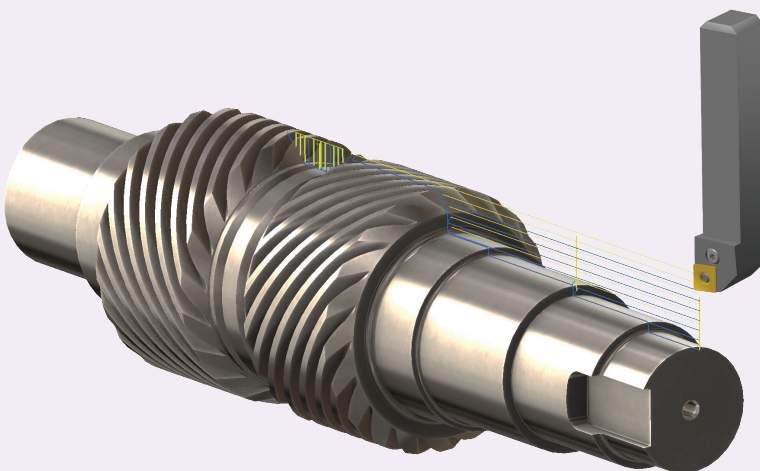


From basic 5-axis contours to Dynamic roughing and complex finishing, Mastercam for SOLIDWORKS streamlines multiaxis programming by design.

TURNING

Fully integrated within SOLIDWORKS.

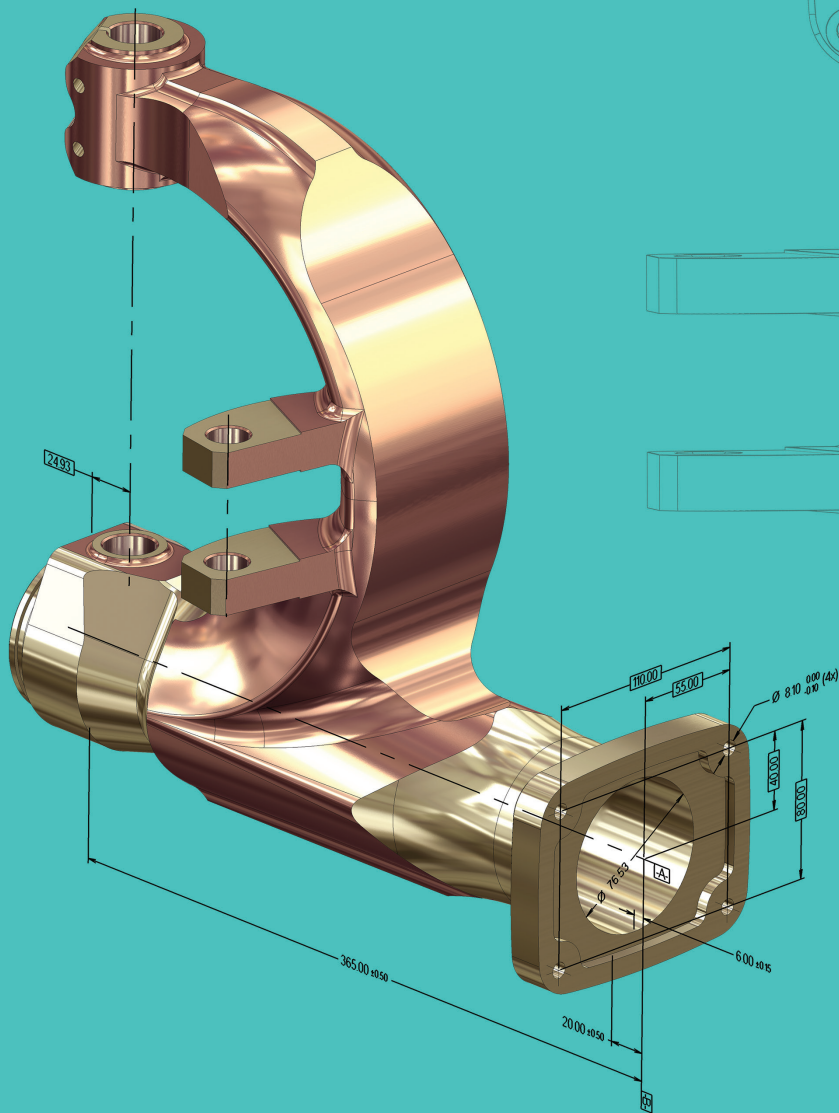
Powerful turning strategies in Mastercam for SOLIDWORKS complement our milling toolpaths, giving you a complete turning toolkit. Functionality includes:



- Easy roughing, finishing, threading, grooving, boring, drilling, and cut off.
- Face and cross contouring and drilling.
- Intelligent ID and OD roughing, including roughing to a boundary for castings.
- **Dynamic Motion** roughing to extend insert life.
- Tool Inspection to check tool wear conditions during your roughing, finishing, and grooving operations.
- Toolpath verification to ensure your parts are machined as intended.



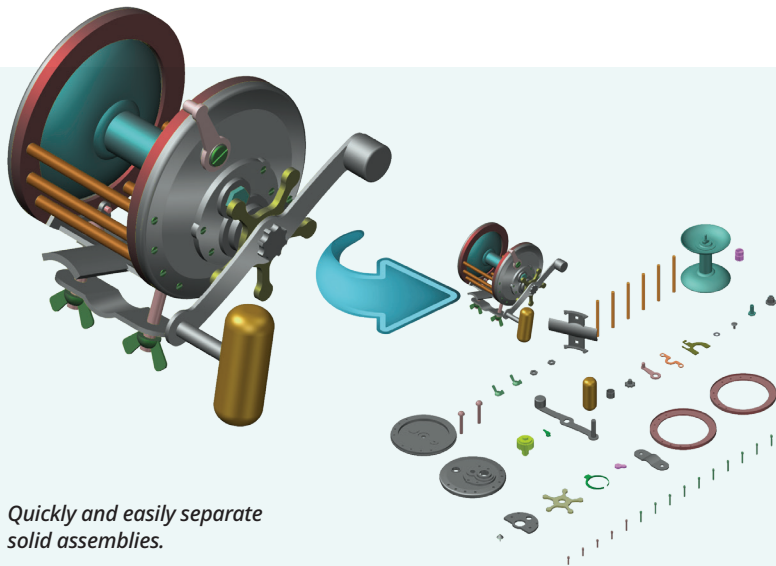
DESIGN



Streamlined CAD makes design work easier than ever.

MODELING AND PREP TOOLS GET YOUR PARTS ON AND OFF THE MACHINE QUICKLY

Whether you're bringing in a file from an outside CAD package or designing one yourself, Mastercam's powerful CAD engine gives you control over the final details of even the most complex jobs.



Quickly and easily separate solid assemblies.

Work with your existing CAD files.

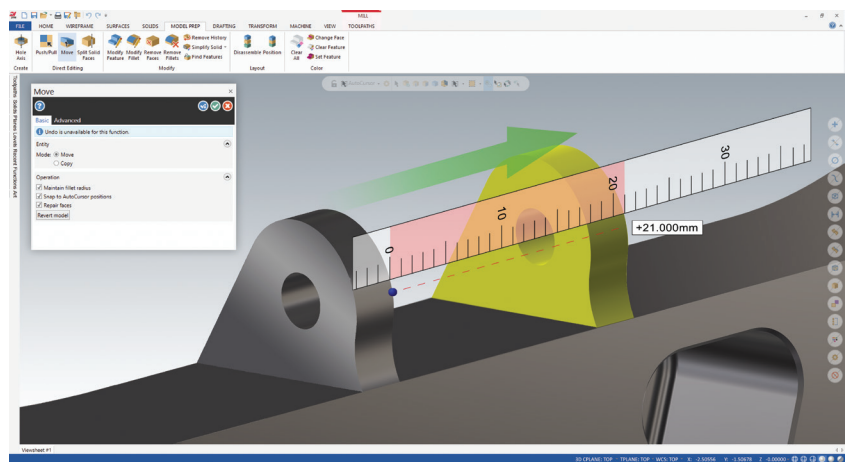
Mastercam helps to preserve design intent with Model Based Definition (MBD) support and acceptance of varied file formats. These include IGES, Parasolid®, SAT (ACIS solids), AutoCAD® (DXF, DWG, and Inventor™ files), SOLIDWORKS® (including history tree), Solid Edge®, SpaceClaim, STEP, STL, and more. Add-On translators are available for Siemens NX, CATIA™, Pro/E (PTC Creo), and more.

Whether you are prepping customer files...

Getting a part file from an outside source can pose unique challenges. You might need to repair a surface, work with a mesh, cap or hide a feature, create an electrode, or just make sure your fixtures are represented on the part. Mastercam includes a powerful set of model prep tools to make sure the process goes smoothly. From robust surface creation and editing to “push-pull” solid model editing, Mastercam gives you the tools to bring a part from the designer’s desk to your machining process, fast.

...or designing your part from scratch.

Having powerful CAD at your fingertips makes your CAM system that much more effective. Mastercam includes a robust set of modeling tools, from complete wireframe and surface modeling to solid modeling. A true hybrid modeling system, Mastercam lets you create, combine, and machine whichever CAD geometry suits your needs.



Push, pull, remove, and directly edit features on new or imported solids, even if they have no history.

MAINTAIN YOUR COMPETITIVE EDGE



The Mastercam Maintenance Advantage

Mastercam users appreciate the value that top-of-the-line CAD/CAM delivers. Now you can enhance that value by making sure your Mastercam software is always up-to-the-minute, and your shop always has the latest tools to keep you ahead of the competition.

Plus, purchasing updates is no longer a budgetary variable. Our Maintenance Program allows you to plan ahead and budget expenditure on an annual basis. New software is available to you immediately upon release, so you don't have to wait until your next budget is approved to gain the benefits of the latest productivity enhancements in Mastercam.

Key Features

- Maintenance customers receive prioritized technical support.
- Major releases are made available to customers with active Maintenance at no additional charge.
- New software and updates are delivered to Maintenance customers first.
- Maintenance customers have early access to brand new features that are pre-released before the next major release.
- Maintenance customers can participate in Mastercam Beta testing.
- Special features on Mastercam.com are made available to Maintenance customers only, including the Mastercam Tech Exchange.



CONNECTED CAM FOR A CONNECTED WORLD

Depending on whom you talk to, Industry 4.0 is either coming or already here. But there is little debate that harnessing data is the next step forward. Manufacturers around the world are using data to make faster, better decisions, reduce bottlenecks, and solve problems.

Mastercam is helping to lead the way with an open platform and premier partnerships creating new synergies among everything from paperless workflow and reverse engineering to digital tool management and robotics. These insights — plus the world's largest network of CAM support — provide the fuel you need to increase connectivity to increase productivity.

SHAPING THE FUTURE OF MANUFACTURING



Our commitment to the needs of industry includes support for educators and numerous efforts to attract students to careers in manufacturing. Our Educational Suite is supported by a wide variety of curriculum and resources for educators.

We also sponsor several programs and competitions to expand opportunities in education for students to build skills and get excited about manufacturing technology.

As the most widely used CAM software in education and industry, Mastercam is dedicated to helping future generations of machinists gain the skills and experiences needed for professional success. From the classroom to the production line, our training and support are second to none.

TOOLS TO KEEP YOURSELF COMPETITIVE



Mastercam University™

Online, video-based training developed by CNC Software, Inc. and trusted partners. Sharpen your skills on your own schedule, use it to bolster your resume, and get started on the path to Mastercam Certification — with the same training used by corporate staffers and Mastercam Resellers. Mastercam University is easy to use, gives you real-world training applications, and covers all levels of Mastercam skills from basic to advanced.

University.Mastercam.com



Mastercam Training and Support

CAD/CAM is support-intensive business. We understand that our users require comprehensive training options to get started with Mastercam and then to stay current with the latest advancements.

To get the best training, you need flexible options, and the strength of the Mastercam community means our users have access to a global network of excellent opportunities for training.

Corporate Training:

- Mastercam University offers online training courses with video-based instruction in a variety of CAD/CAM disciplines.
- In-house training events are also held at CNC Software, Inc. headquarters throughout the year. These are listed on the corporate events calendar on Mastercam.com.
- PDF tutorials and the Mastercam Knowledge Base are accessible via Mastercam.com.



Mastercam Reseller Training:

- Your local Reseller is the best source of training opportunities in your area. More than 115 Resellers in 100 countries offer Mastercam training.

Third-Party Training:

- As the most widely used CAM software, Mastercam is supported by a multitude of training options available from official Mastercam training partners.



Mastercam Certification

If you are looking to set yourself apart as a skilled Mastercam programmer in the increasingly competitive job market, Mastercam Certification is the answer. Our Mastercam Associate Level Certification is acquired by achieving scores of 80% or more in select Mastercam University courses, and our Mastercam Professional Level Certification is a proctored test administered by a Certified Mastercam Instructor. Both will give you the competitive advantage you seek.



WE SHAPE THE FUTURE.

Do you have what it takes? Tell your story at MastersofCAM.com.

For more information,
contact a local Mastercam expert at
Mastercam.com/Resellers

About Us

CNC Software, Inc. provides state-of-the-art software tools for CAD/CAM manufacturing markets. Our single focus is to provide superior software products based on our users' needs to solve simple to complex design and machining problems.

CNC Software, Inc.
671 Old Post Road
Tolland, CT 06084



Mastercam[®]

Mastercam[®] is a registered trademark of CNC Software, Inc. SOLIDWORKS is a registered trademark of Dassault Systèmes Solidworks Corp. All other trademarks are property of their respective owners.
© 1982-2019. All rights reserved.