

subject to technical alterations

type: L  
range: 70 - 100 mm  
range of indication: 69,5 - 100,5 mm  
digital step: 0,01 mm  
scale interval: -  
measuring force: 1,2 - 1,7 N  
weight: 375 g

acceptable deviations  
VDI/VDE/DGQ 2618 Bl. 12.1/13.1)  
max. permissible  
errors "G": 0,04 mm  
repeatability "r": 0,02 mm  
reference temperature: 20° C  
operation temperature: 10° C - 30° C  
storage temperature: -10° C - 50° C

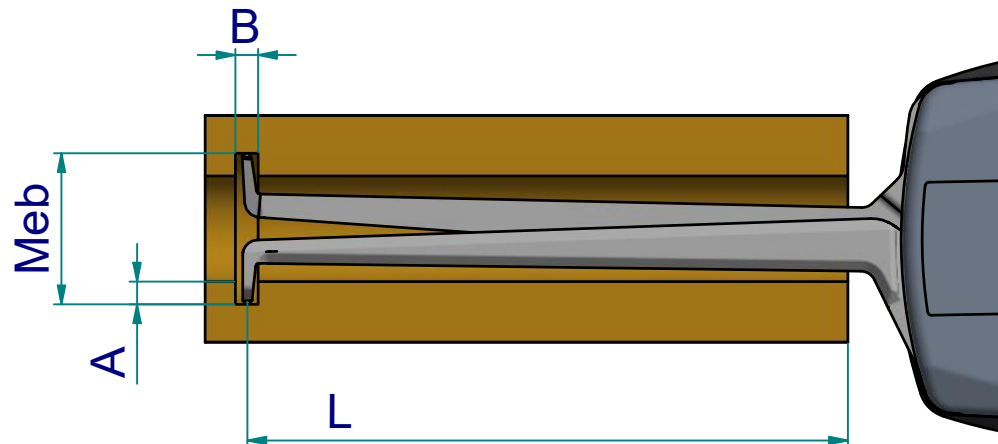
scale: 1:2  
drawing-nr.: DAB-L370-K-e  
date of issue: 05.03.2021  
name: B. Schmidt  
revision status:  
revision date:

## measuring capacity

|                     |   | measuring range $M_{eb}$ [mm] |           |           |           |           |           |           |           |           |           |           |           |           |
|---------------------|---|-------------------------------|-----------|-----------|-----------|-----------|-----------|-----------|-----------|-----------|-----------|-----------|-----------|-----------|
|                     |   | 70                            | 72        | 74        | 76        | 78        | 80        | 82        | 85        | 88        | 91        | 94        | 97        | 100       |
| groove depth A [mm] | 0 | 0 / 125                       | 0 / 131   | 0 / 132   | 0 / 132   | 0 / 132   | 0 / 132   | 0 / 132   | 0 / 132   | 0 / 132   | 0 / 132   | 0 / 132   | 0 / 132   | 0 / 132   |
|                     | 1 |                               | 2,5 / 130 | 2,5 / 131 | 2,5 / 132 | 2,5 / 132 | 2,5 / 132 | 2,5 / 132 | 2,5 / 132 | 2,5 / 132 | 2,5 / 132 | 2,5 / 132 | 2,5 / 132 | 2,5 / 132 |
|                     | 2 |                               |           | 2,6 / 130 | 2,6 / 132 | 2,6 / 132 | 2,6 / 132 | 2,6 / 132 | 2,6 / 132 | 2,6 / 132 | 2,6 / 132 | 2,6 / 132 | 2,6 / 132 | 2,6 / 132 |
|                     | 3 |                               |           |           | 2,7 / 131 | 2,7 / 132 | 2,7 / 132 | 2,6 / 132 | 2,6 / 132 | 2,6 / 132 | 2,6 / 132 | 2,7 / 132 | 2,7 / 132 | 2,7 / 132 |
|                     | 4 |                               |           |           |           | 2,8 / 131 | 2,7 / 132 | 2,7 / 132 | 2,7 / 132 | 2,7 / 132 | 2,7 / 132 | 2,7 / 132 | 2,8 / 132 | 2,8 / 132 |
|                     | 5 |                               |           |           |           |           | 2,8 / 132 | 2,8 / 132 | 2,7 / 132 | 2,7 / 132 | 2,8 / 132 | 2,8 / 132 | 2,9 / 132 | 2,9 / 132 |
| B / L               |   |                               |           |           |           |           |           |           |           |           |           |           |           |           |

B = minimum groove width [mm]  
 L = maximum usable arm length [mm]

Example:  $M_{eb} = 76$     B = 2,6  
 A = 2            L = 132

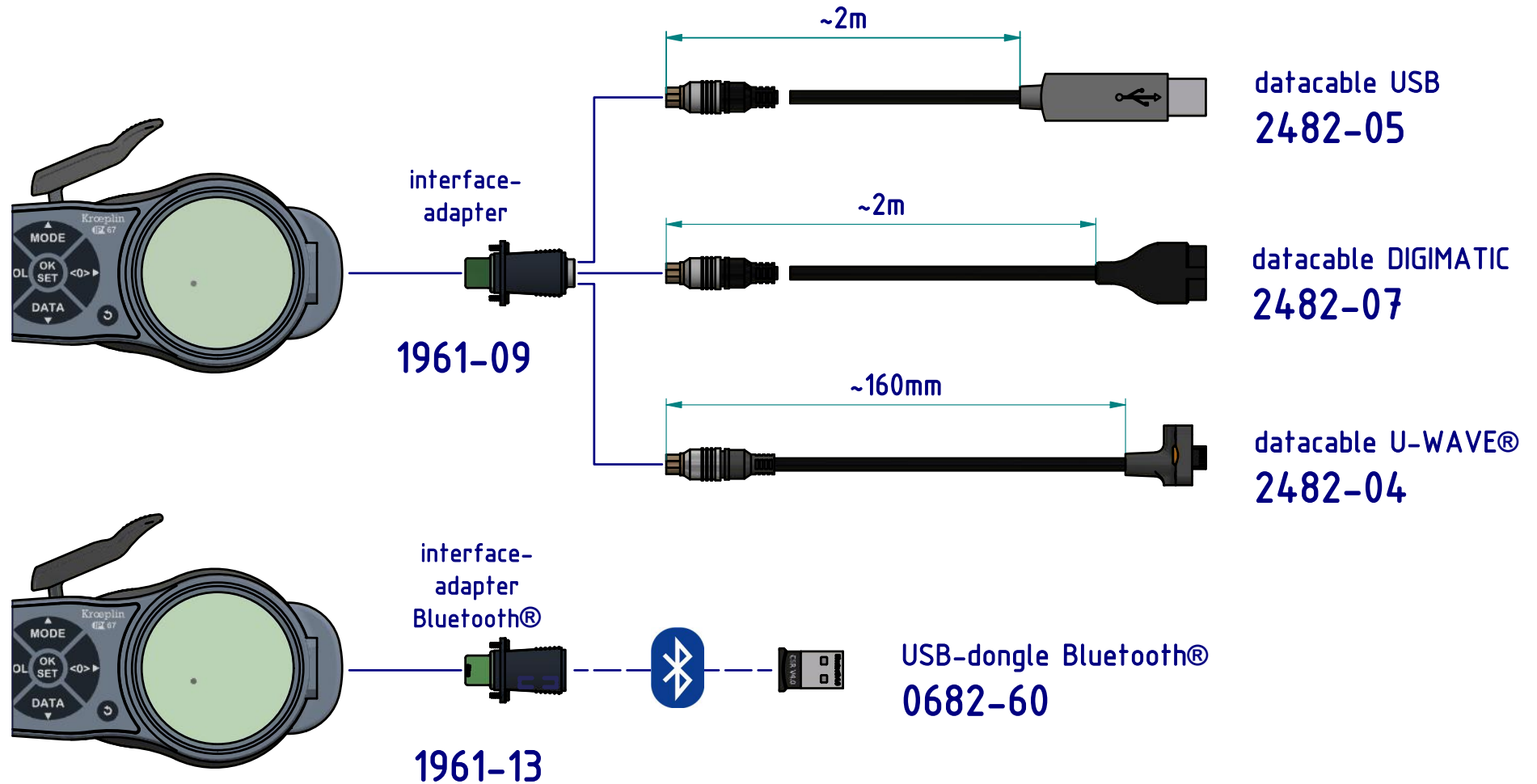


subject to technical alterations

drawing-nr.: DAB-L370-K-e  
 date of issue: 05.03.2021  
 name: B. Schmidt

revision status:  
 revision date:

interface as accessories available:



subject to technical alterations

|                  |              |
|------------------|--------------|
| drawing-nr.:     | DAB-L370-K-e |
| date of issue:   | 05.03.2021   |
| name:            | B. Schmidt   |
| revision status: |              |
| revision date:   |              |