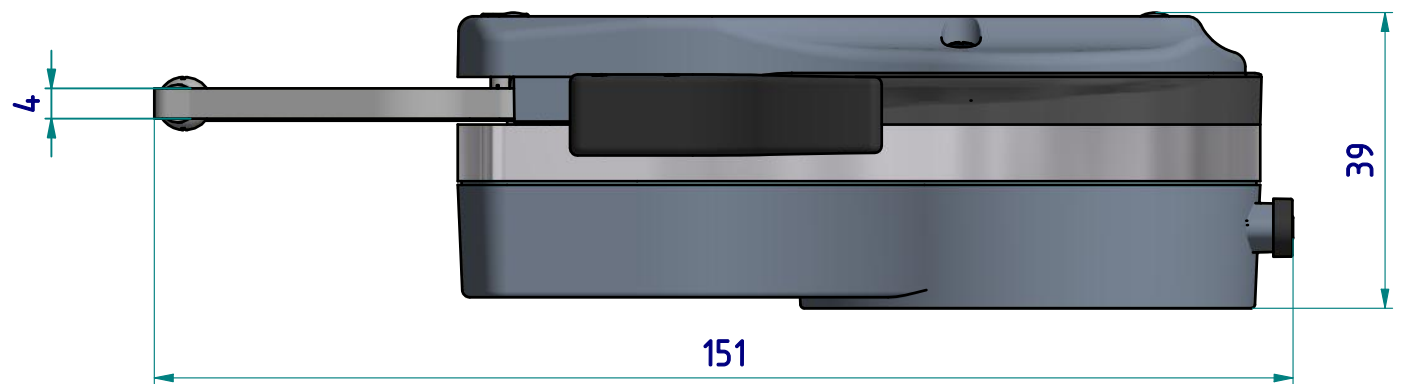
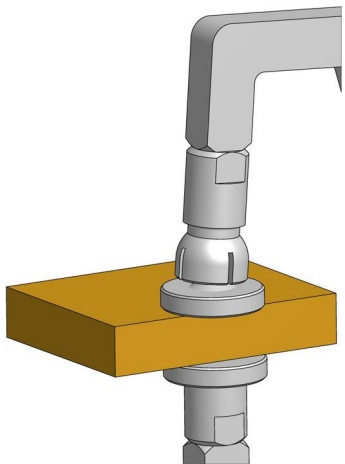
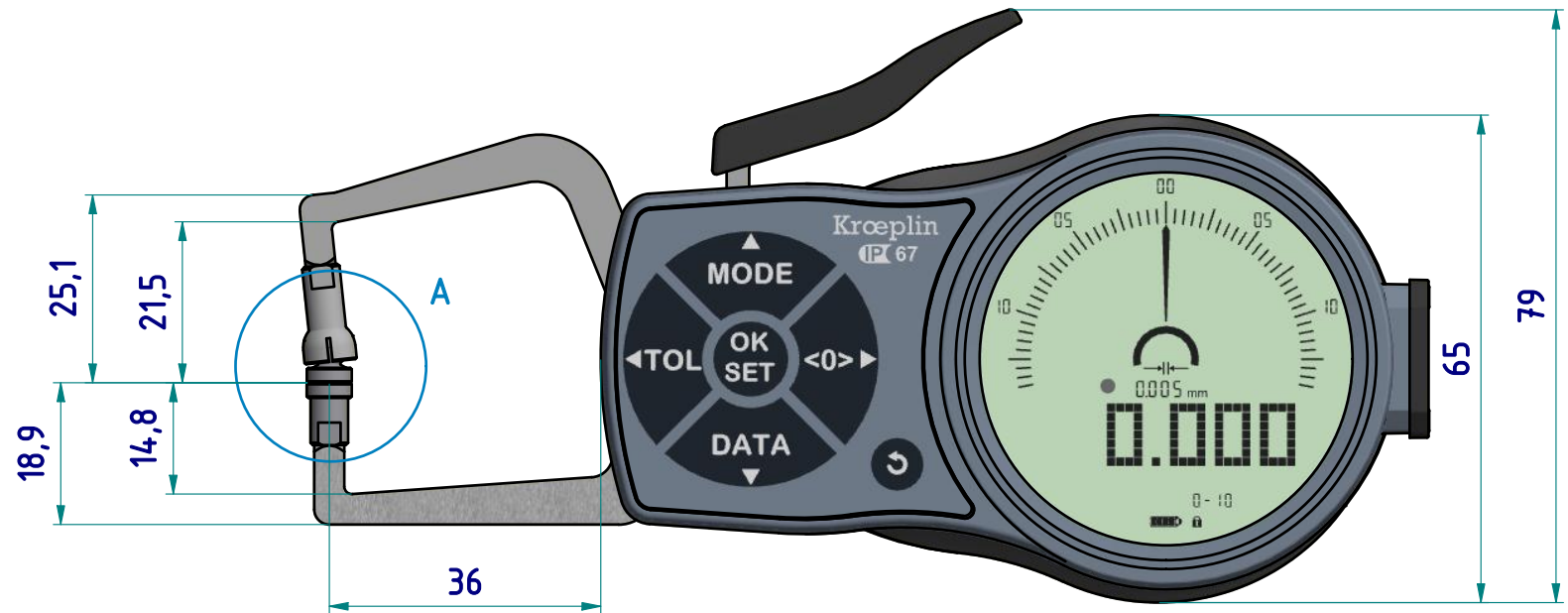
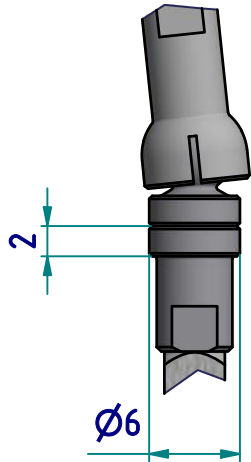


A (2 : 1)



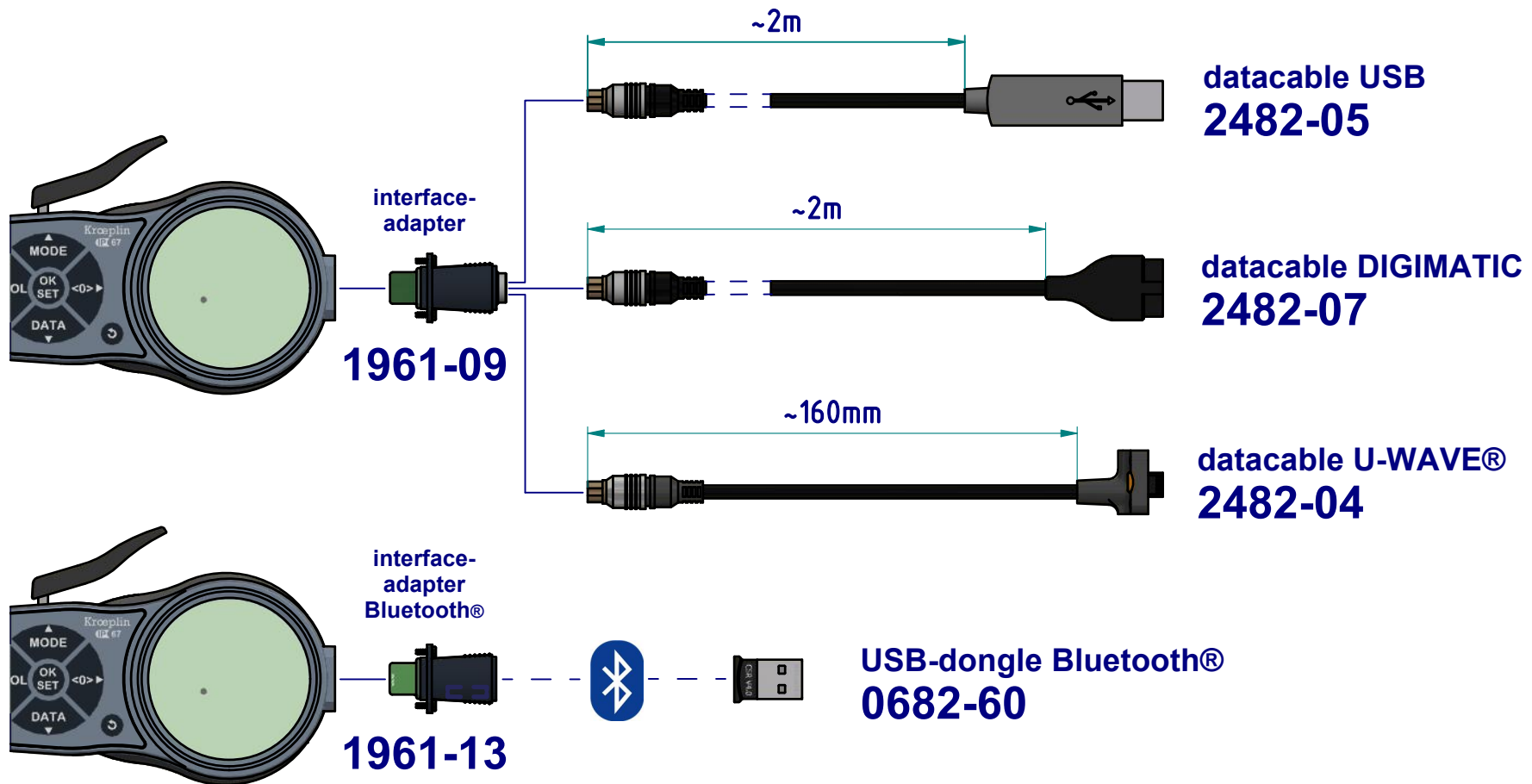
subject to technical alterations

type: K
range: 0 - 10 mm
range of indication: 0 - 10,5 mm
digital step: 0,005 mm
scale interval: -
measuring force: 0,8 - 1,2 N
weight: 265 g

acceptable deviations
VDI/VDE/DGQ 2618 Bl. 12.1/13.1)
max. permissible
errors "G": 0,02 mm
repeatability "r": 0,005 mm
reference temperature: 20° C
operation temperature: 10° C - 30° C
storage temperature: -10° C - 50° C

scale: 1:1
drawing-nr.: DAB-K110T-K-e
date of issue: 21.01.2020
name: B. Schmidt
revision status: 002
revision date: 23.09.2020

interface as accessories available:



subject to technical alterations

drawing-nr.:	DAB-K110T-K-e
date of issue:	21.01.2020
name:	B. Schmidt
revision status:	002
revision date:	23.09.2020