

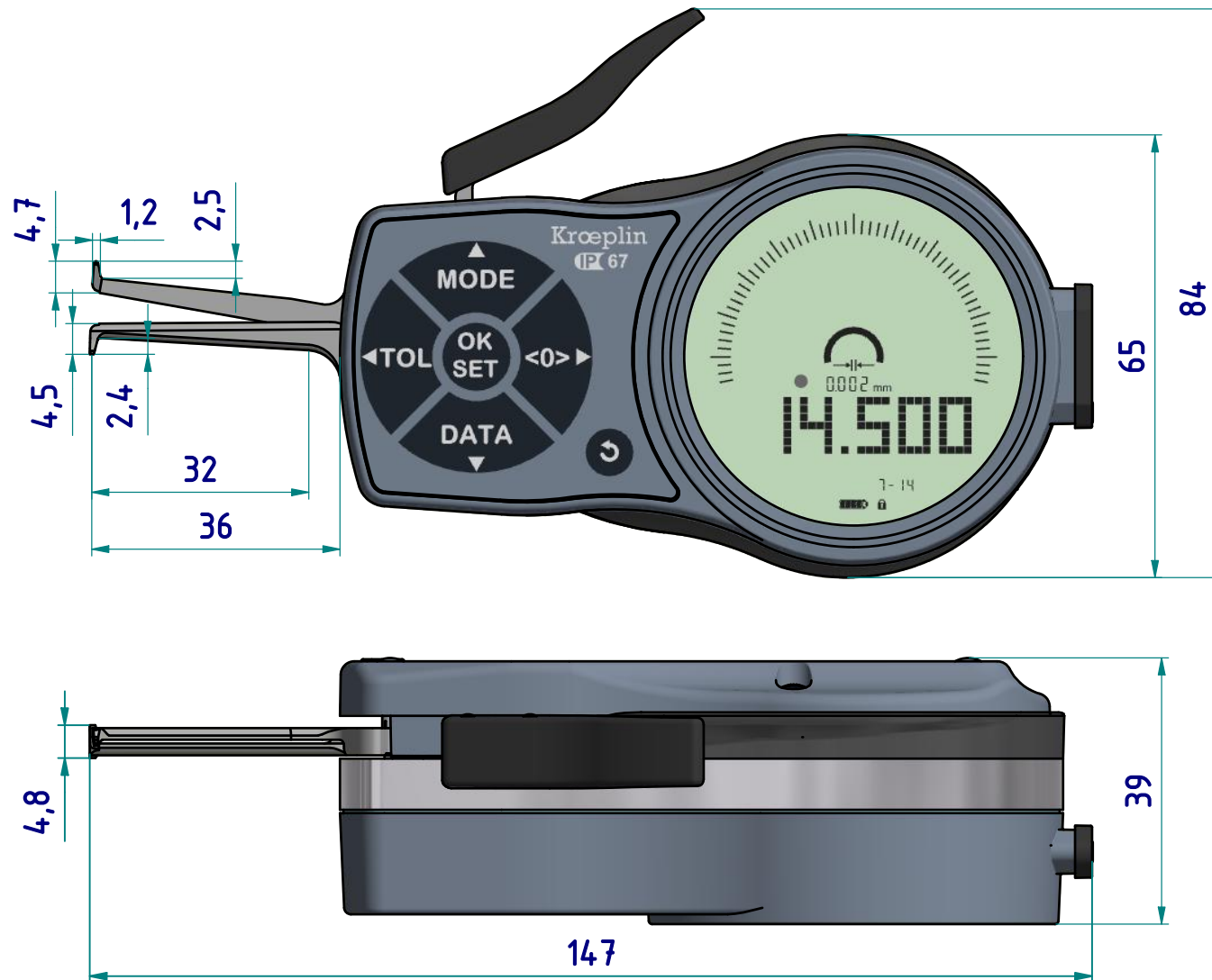
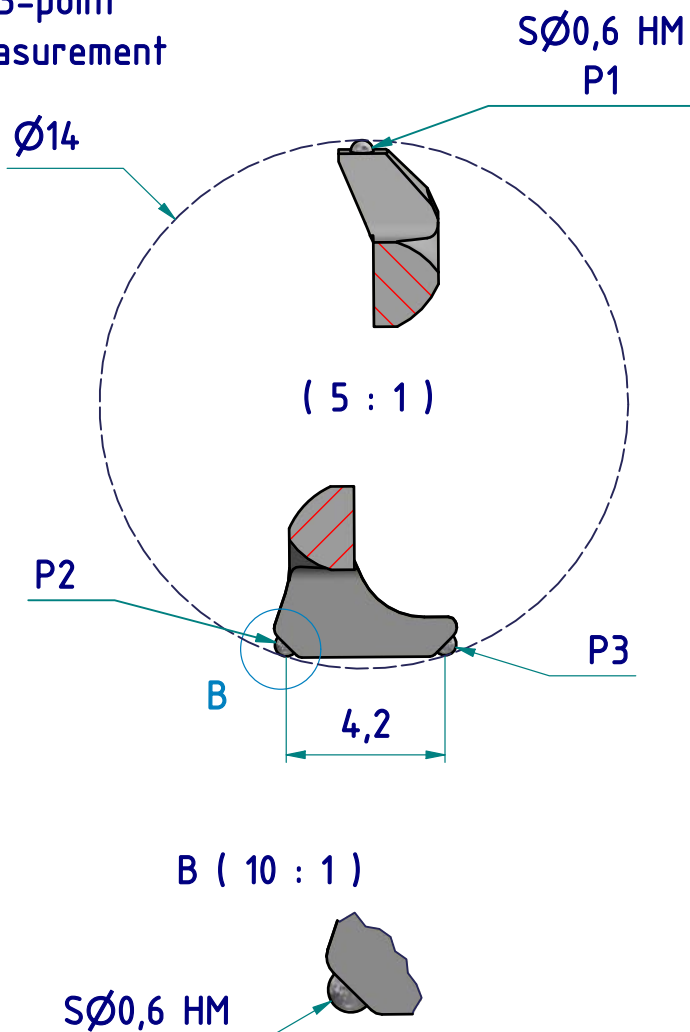
data sheet: L107P3

Kroepelin GmbH
Gartenstraße 50
D-36381 Schlüchtern

Tel.: 06661 86 0
Fax: 06661 86 39
Mail: sales@kroepelin.com
Web: www.kroepelin.com

Kroepelin
Längenmesstechnik

3-point
measurement



subject to technical alterations

type: L - P3
range: 7 - 14 mm
range of indication: 6,8 - 14,5 mm
digital step: 0,002 mm
scale interval: -
measuring force: 1,0 - 1,4 N
weight: 250 g

acceptable deviations
VDI/VDE/DGQ 2618 Bl. 12.1/13.1)
max. permissible
errors "G": 0,01 mm
repeatability "r": 0,004 mm
reference temperature: 20° C
operation temperature: 10° C - 30° C
storage temperature: -10° C - 50° C

scale: 1:1
drawing-nr.: DAB-L107P3-K-e
date of issue: 21.01.2020
name: B. Schmidt
revision status: 001
revision date: 23.09.2020

measuring capacity

measuring range Meb [mm]

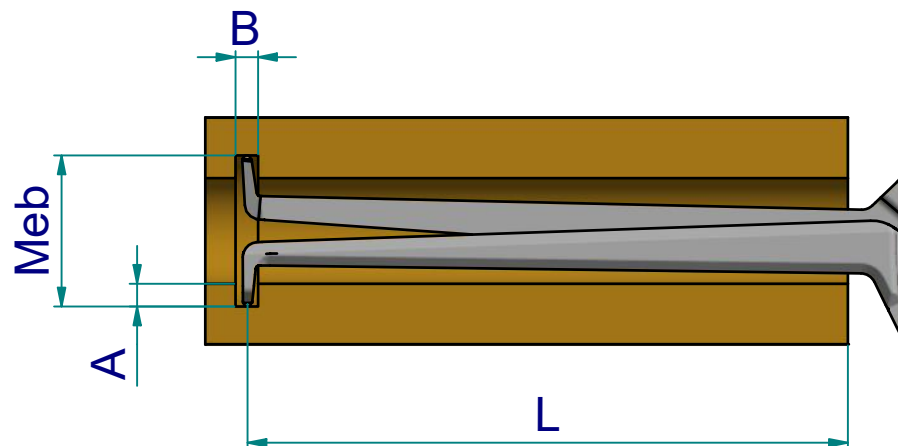
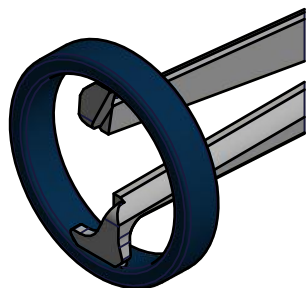
groove depth A [mm]

	7	8	9	10	11	12
0	0 / 34,0	0 / 33,0	0 / 33,0	0 / 32,0	0 / 32,0	0 / 32,0
0,2		0,8 / 33,0	0,8 / 33,0	0,8 / 33,0	0,8 / 32,0	0,8 / 32,0
0,4		0,9 / 33,0	0,9 / 33,0	0,9 / 33,0	0,9 / 32,0	0,9 / 32,0
0,6			0,9 / 33,0	0,9 / 33,0	0,9 / 32,0	0,9 / 32,0
0,8			1,0 / 33,0	1,0 / 32,0	1,0 / 32,0	1,1 / 32,0
1			1,1 / 33,0	1,1 / 32,0	1,1 / 32,0	1,1 / 32,0
1,2				1,2 / 32,0	1,2 / 32,0	1,2 / 32,0
1,4				1,2 / 32,0	1,2 / 32,0	1,2 / 32,0
1,6					1,3 / 32,0	1,3 / 32,0
1,8					1,4 / 32,0	1,4 / 31,0
2					1,6 / 31,0	1,7 / 30,0
2,2						1,9 / 30,0
	B / L					

B = minimum groove width [mm]

L = maximum usable arm length [mm]

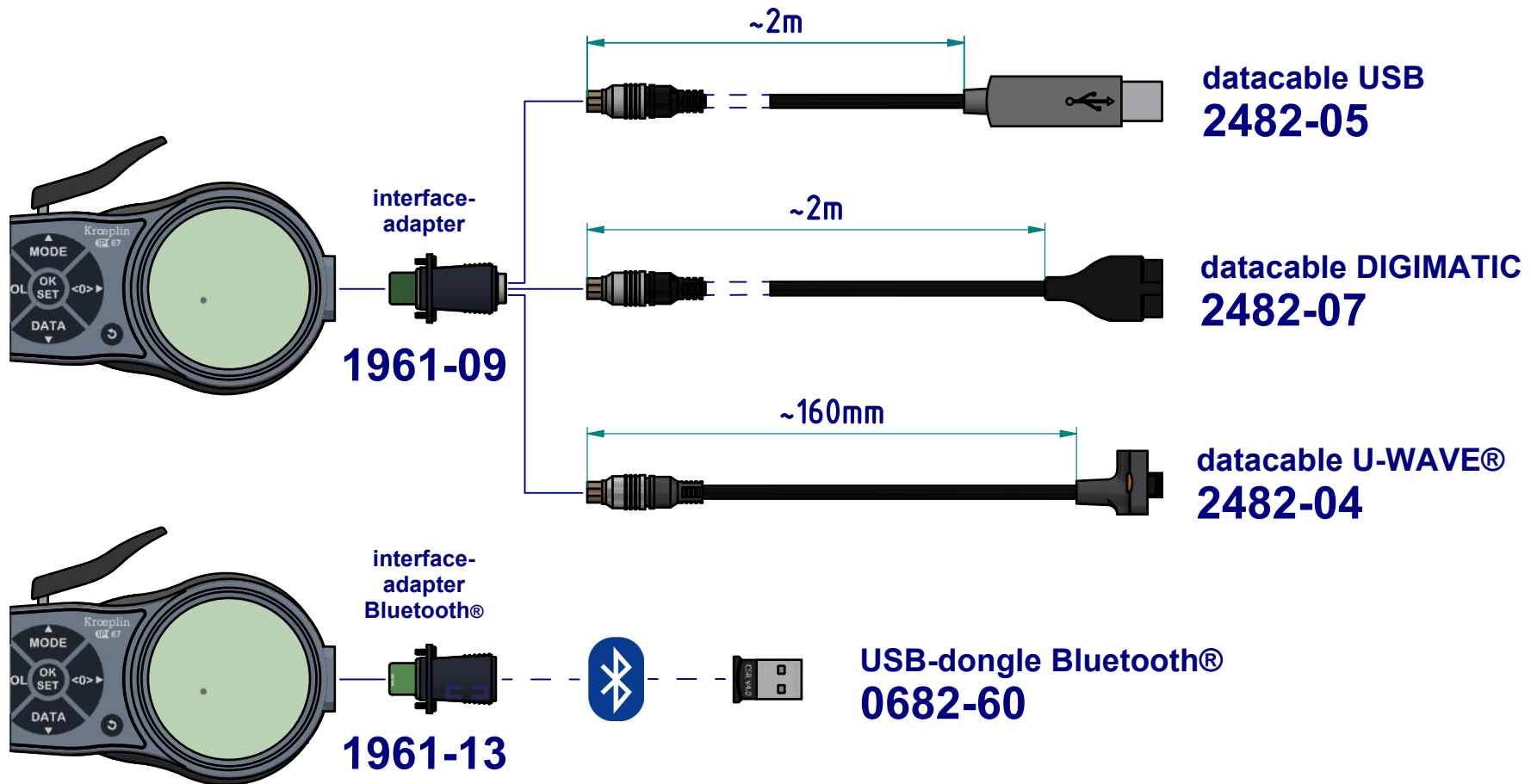
Example: Meb = 8 B = 0,9
 A = 0,4 L = 33



subject to technical alterations

drawing-nr.:	DAB-L107P3-K-e
date of issue:	21.01.2020
name:	B. Schmidt
revision status:	001
revision date:	23.09.2020

interface as accessories available:



subject to technical alterations

drawing-nr.:	DAB-L107P3-K-e
date of issue:	21.01.2020
name:	B. Schmidt
revision status:	001
revision date:	23.09.2020