

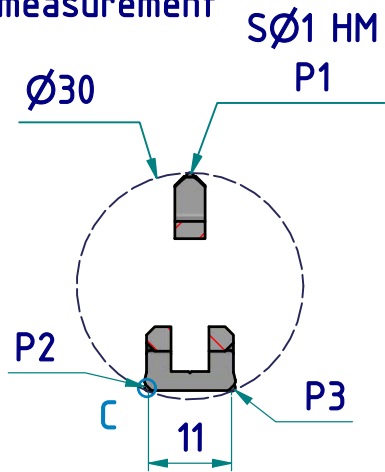
data sheet: L215P3

Kroepelin GmbH
Gartenstraße 50
D-36381 Schlüchtern

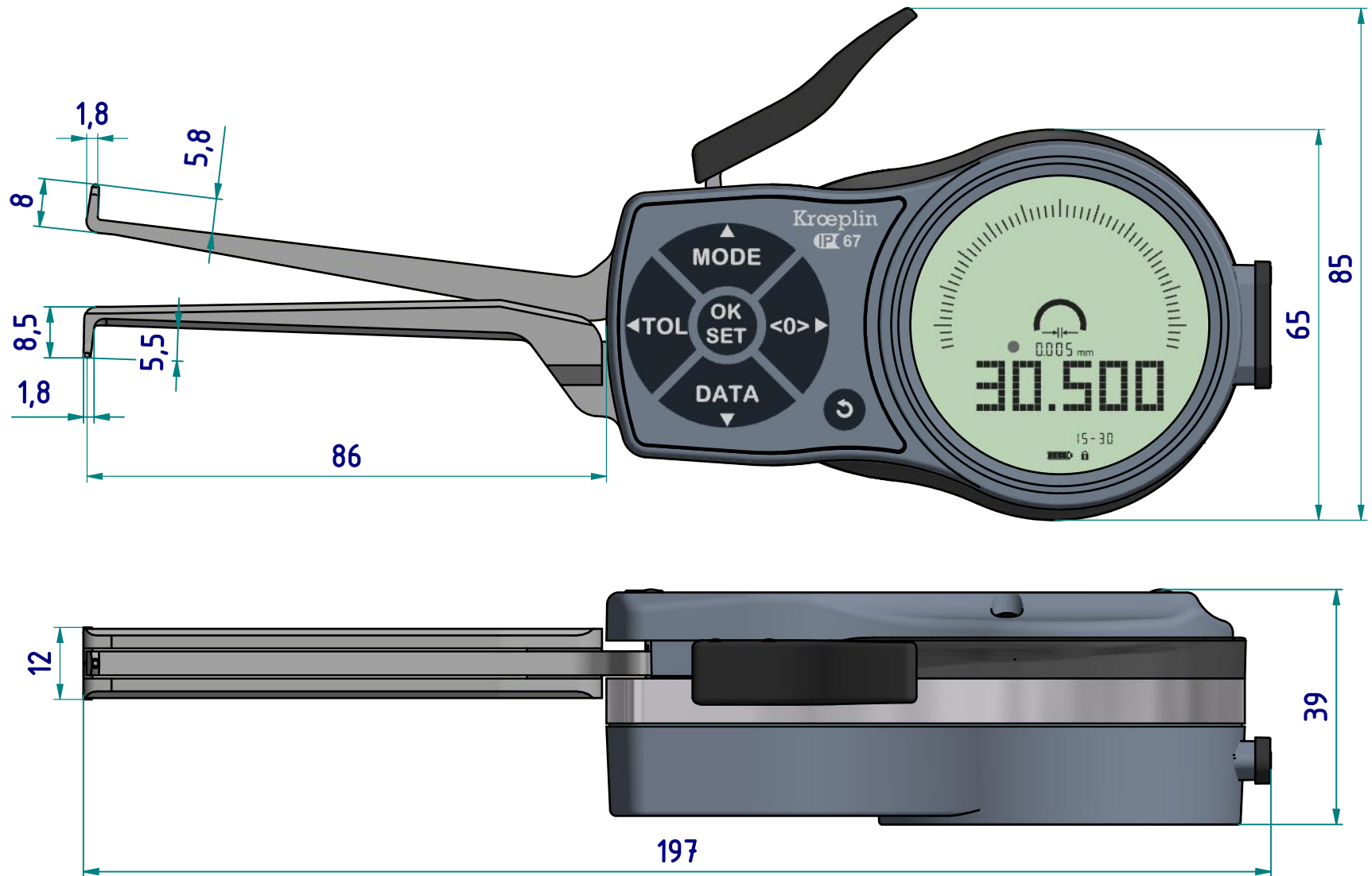
Tel.: 06661 86 0
Fax: 06661 86 39
Mail: sales@kroepelin.com
Web: www.kroepelin.com

Kroepelin
Längenmesstechnik

3-point
measurement



C (5 : 1)



subject to technical alterations

type: L - P3
range: 15 - 30 mm
range of indication: 14,5 - 30,5 mm
digital step: 0,005 mm
scale interval: -
measuring force: 1,1 - 1,6 N
weight: 295 g

acceptable deviations
VDI/VDE/DGQ 2618 Bl. 12.1/13.1)
max. permissible
errors "G": 0,02 mm
repeatability "r": 0,01 mm
reference temperature: 20° C
operation temperature: 10° C - 30° C
storage temperature: -10° C - 50° C

scale: 1:1
drawing-nr.: DAB-L215P3-K-e
date of issue: 21.01.2020
name: B. Schmidt
revision status: 001
revision date: 23.09.2020

measuring capacity

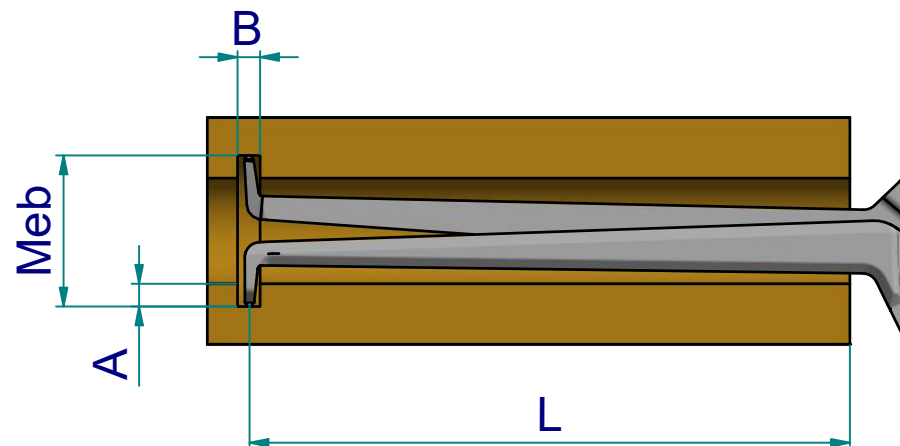
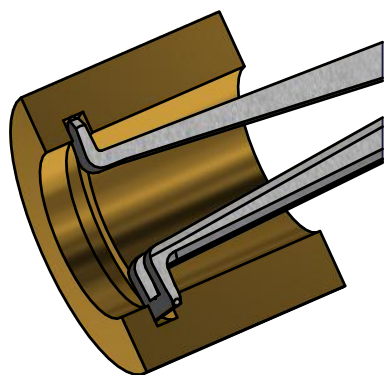
groove depth A [mm]	measuring range Meb [mm]									
	15	16	18	20	22	24	26	28	30	
0	0 / 73	0 / 73	0 / 74	0 / 75	0 / 75	0 / 76	0 / 76	0 / 77	0 / 77	
1			1,5 / 74	1,5 / 73	1,5 / 73	1,5 / 74	1,5 / 75	1,5 / 75	1,5 / 76	
2				1,7 / 71	1,7 / 72	1,7 / 73	1,6 / 74	1,6 / 74	1,6 / 75	
3					1,8 / 72	1,8 / 73	1,8 / 74	1,8 / 74	1,9 / 75	
4						2,0 / 71	2,1 / 72	2,1 / 73	2,2 / 73	
4,5						2,5 / 68	2,4 / 70	2,3 / 71	2,2 / 73	
5							3,2 / 68	3 / 70	2,8 / 71	
	B / L									

B = minimum groove width [mm]

L = maximum usable arm length [mm]

Example: Meb = 24 B = 1,7

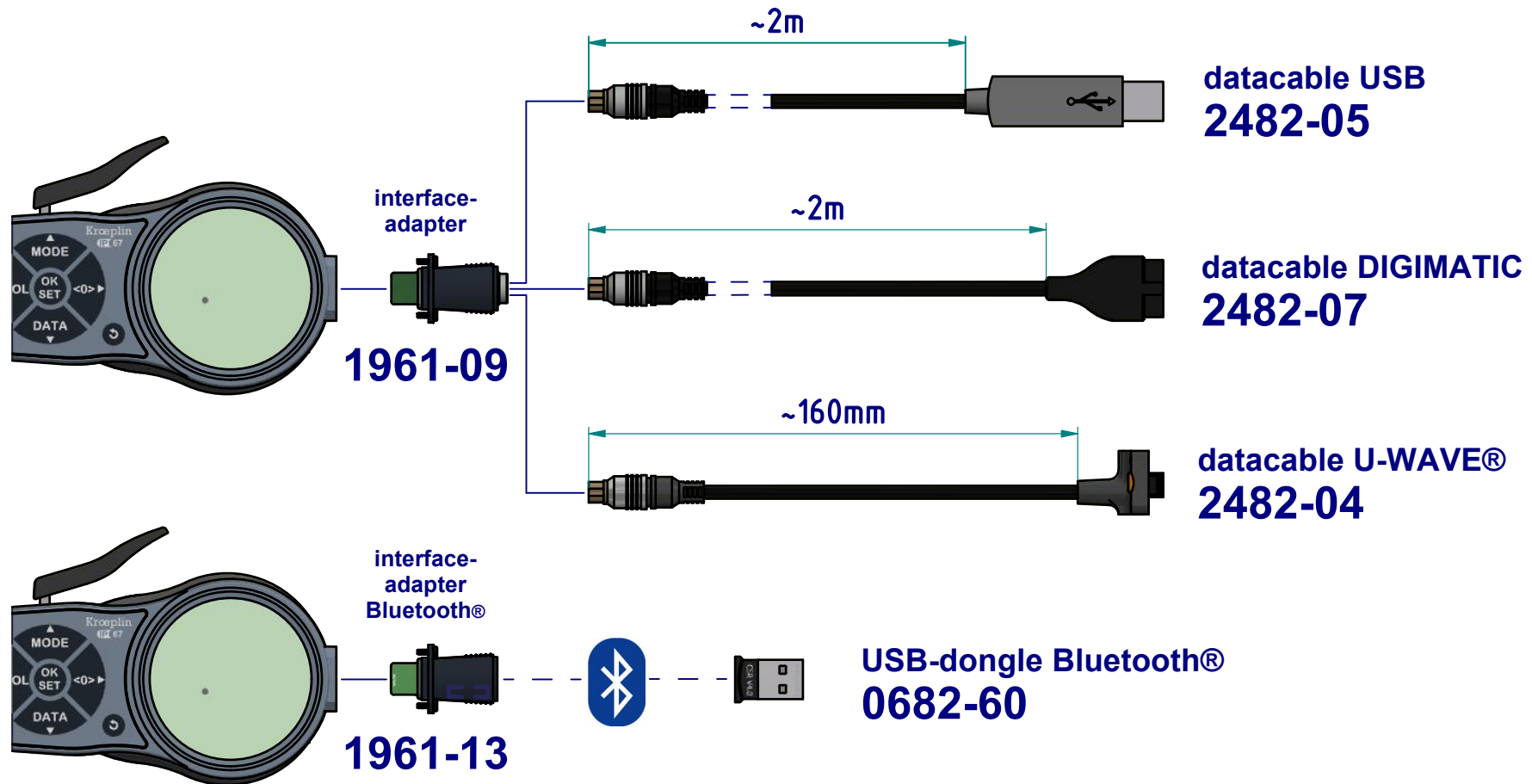
 A = 2 L = 73



subject to technical alterations

drawing-nr.:	DAB-L215P3-K-e
date of issue:	21.01.2020
name:	B. Schmidt
revision status:	001
revision date:	23.09.2020

interface as accessories available:



subject to technical alterations

drawing-nr.:	DAB-L215P3-K-e
date of issue:	21.01.2020
name:	B. Schmidt
revision status:	001
revision date:	23.09.2020