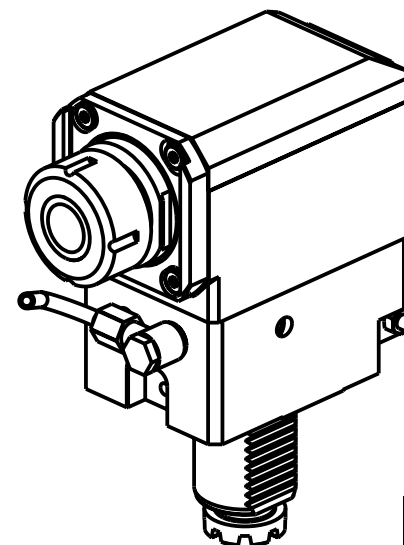
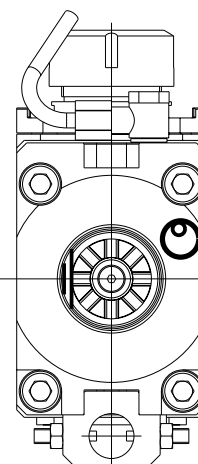
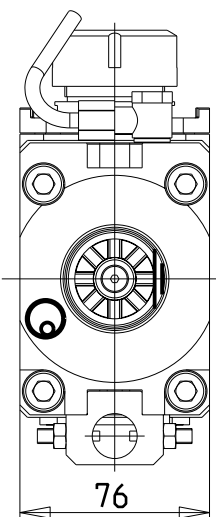


versione dx  
right version  
version rechts

versione sx  
left version  
version links



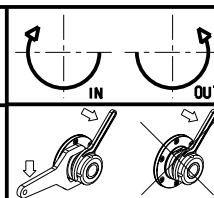
- Chiave inclusa
- Key included
- Schlüssel inbegriffen

Cod. MT		Mandrino Spindle Spindel	I	RPM	Coppia Max Max Torque Max Drehmoment	Lubrificazione int. Coolant through Innenkuehlung	Lubrificazione est. Ext. coolant Aussenkuehlung	A	A1	B	D	L	CHIAVI NON INCLUDE Keys not included Schlüssel nicht einbegriffen	
versione dx right version version rechts	versione sx left version version links													
BAR0210132	BAR0211132	ER32	1:1	4000	70Nm	-	X	99.7	-	58.5	-	-	OKU0650004	CHSTER32
BAR0210232	BAR0211232	ER32	1:1	4000	70Nm	P=70bar	X	99.7	-	69.5	-	-	OKU0650004	CHSTER32
BAR0210140	BAR0211140	ER40	1:1	4000	70Nm	-	X	103.7	-	58.5	-	-	OKU0650004	CHSTER40
BAR0210240	BAR0211240	ER40	1:1	4000	70Nm	P=70bar	X	103.7	-	69.5	-	-	OKU0650004	CHSTER40
BAR0210522	BAR0211522	Ø22x19	1:1	4000	70Nm	-	X	-	78.5	58.5	22	19	CHUB41	CH_VTCROCE_M10
BAR0210527	BAR0211527	Ø27x21	1:1	4000	70Nm	-	X	-	78.5	58.5	27	21	CHUB41	CH_VTCROCE_M12

BARUFFALDI  
VDI 40

MODULO MOTORIZZATO RADIALE VDI40 H=100mm  
Radial driven tool VDI40 H=100mm  
Radial angetriebenes Werkzeug VDI40 H=100mm

Subject to change without notice.



**M.T. srl**  
Via Casino Albini 480  
Tel. 0541/956034-957884  
Fax 0541/956341  
47842 S. GIOVANNI IN M. (RN)  
e-mail: mtma@mtmarchetti.com  
http://www.mtmarchetti.com



PAGINA BAR012-2-10