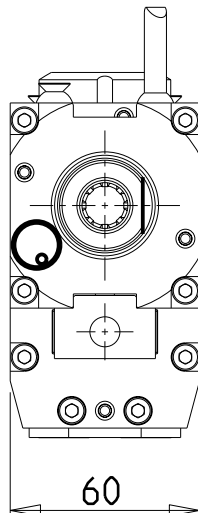
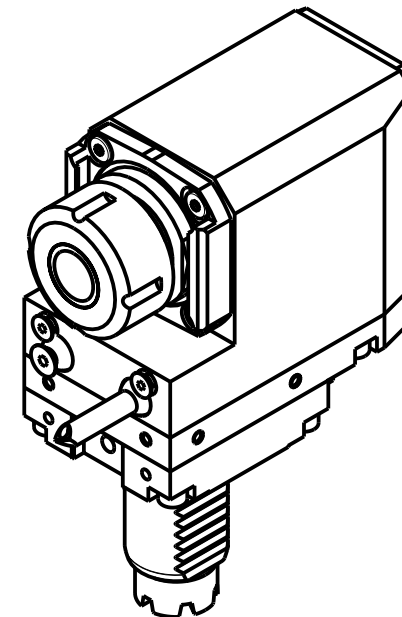
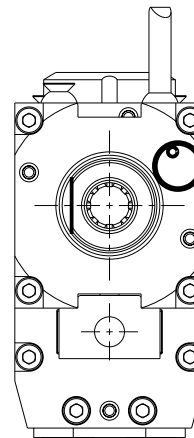


versione dx
right version
version rechts



versione sx
left version
version links



- Chiave inclusa
- Key included
- Schlüssel inbegriffen

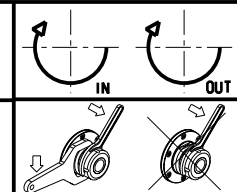
| Cod. MT | | Mandrino Spindle Spindel | I | RPM | Coppia Max Max Torque Max Drehmoment | Lubrificazione int. Coolant through Innenkuehlung | Lubrificazione est. Ext. coolant Aussenkuehlung | A1 | A2 | B | CHIAVI NON INCLUSE Keys not included Schlüssel nicht einbegriffen | | |
|--|--|--------------------------------|-----|------|--|---|---|-------|------|------|---|------------|------------|
| versione dx right version version rechts | versione sx left version version links | | | | | | | | | | | | |
| BAR0080120 | BAR0081120 | ER20 | 1:1 | 6000 | 32Nm | - | X | 41.16 | - | 73.5 | - | CHSTER20 | OKU0290009 |
| BAR0080220 | BAR0081220 | ER20 | 1:1 | 6000 | 32Nm | P=70bar | X | 41.16 | - | 83.5 | - | CHSTER20 | OKU0290009 |
| BAR0080320 | BAR0081320 | ERA20 | 1:1 | 6000 | 32Nm | - | X | 24.5 | - | 73.5 | CHUB22 | CHTAER20ZC | OKU0290009 |
| BAR0080420 | BAR0081420 | ERA20 | 1:1 | 6000 | 32Nm | P=70bar | X | 24.5 | - | 83.5 | CHUB22 | CHTAER20ZC | OKU0290009 |
| BAR0080125 | BAR0081125 | ER25 | 1:1 | 6000 | 32Nm | - | X | 42.16 | - | 73.5 | - | CHSTER25 | OKU0290009 |
| BAR0080225 | BAR0081225 | ER25 | 1:1 | 6000 | 32Nm | P=70bar | X | 42.16 | - | 83.5 | - | CHSTER25 | OKU0290009 |
| BAR0080325 | BAR0081325 | ERA25 | 1:1 | 6000 | 32Nm | - | X | 28.5 | - | 73.5 | CHUB27 | CHTAER25ZC | OKU0290009 |
| BAR0080425 | BAR0081425 | ERA25 | 1:1 | 6000 | 32Nm | P=70bar | X | 28.5 | - | 83.5 | CHUB27 | CHTAER25ZC | OKU0290009 |
| BAR0080516 | BAR0081516 | WELDON16 | 1:1 | 6000 | 32Nm | - | X | - | 27.5 | 73.5 | - | - | - |

NEW

BARUFFALDI
VDI 30

MODULO MOTORIZZATO RADIALE ARRETRATO VDI30 H=75mm
Radial rear-set driven tool VDI30 H=75mm
Radial angetriebenes Werkzeug zurueckversetzt VDI30 H=75mm

Subject to change without notice.



M.T. srl
Via Casino Albini 480
Tel. 0541/956034-957884
Fax 0541/956341
47842 S. GIOVANNI IN M. (RN)
e-mail: mtma@mtmarchetti.com
http://www.mtmarchetti.com



PAGINA BAR015-1-60