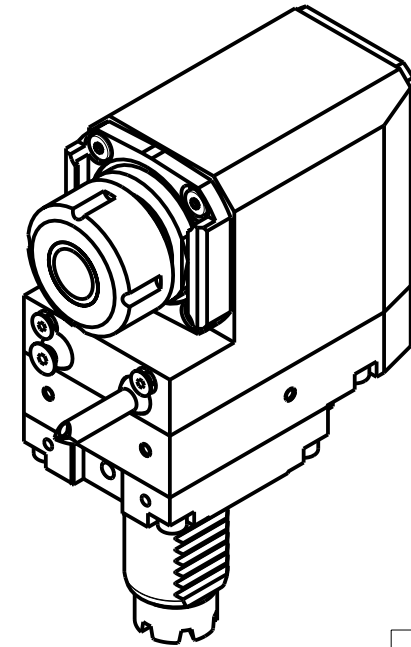
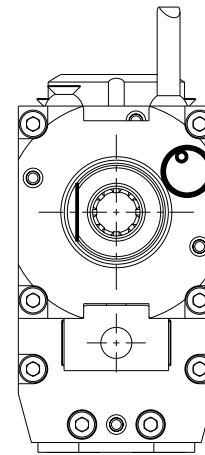
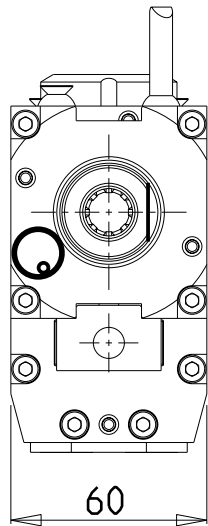


versione dx  
right version  
version rechts

versione sx  
left version  
version links



• Chiave inclusa

• Key included

• Schlüssel inbegriffen

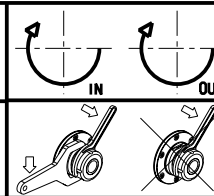
| Cod. MT  |  | Mandrino<br>Spindle<br>Spindel | I   | RPM  | Coppia Max<br>Max Torque<br>Max Drehmoment | Lubrificazione int.<br>Coolant through<br>Innenkuehlung | Lubrificazione est.<br>Ext. coolant<br>Aussenkuehlung | A1    | A2   | B    | CHIAVI NON INCLUSE<br>Keys not included<br>Schlüssel nicht einbegriffen |                       |
|--|--|--------------------------------|-----|------|--|---|---|-------|------|------|---|-----------------------|
| versione dx<br>right version<br>version rechts | versione sx<br>left version<br>version links |                                |     |      |  |   |   |       |      |      |   |                       |
| BAR0070120                                     | BAR0071120                                   | ER20                           | 1:1 | 6000 | 32Nm                                       | -   | X   | 41.16 | -    | 73.5 | -   | CHSTER20 OKU0290009   |
| BAR0070220                                     | BAR0071220                                   | ER20                           | 1:1 | 6000 | 32Nm                                       | P=70bar   | X   | 41.16 | -    | 83.5 | -   | CHSTER20 OKU0290009   |
| BAR0070320                                     | BAR0071320                                   | ERA20                          | 1:1 | 6000 | 32Nm                                       | -   | X   | 24.5  | -    | 73.5 | CHUB22  | CHTAER20ZC OKU0290009 |
| BAR0070420                                     | BAR0071420                                   | ERA20                          | 1:1 | 6000 | 32Nm                                       | P=70bar   | X   | 24.5  | -    | 83.5 | CHUB22  | CHTAER20ZC OKU0290009 |
| BAR0070125                                     | BAR0071125                                   | ER25                           | 1:1 | 6000 | 32Nm                                       | -   | X   | 42.16 | -    | 73.5 | -   | CHSTER25 OKU0290009   |
| BAR0070225                                     | BAR0071225                                   | ER25                           | 1:1 | 6000 | 32Nm                                       | P=70bar   | X   | 42.16 | -    | 83.5 | -   | CHSTER25 OKU0290009   |
| BAR0070325                                     | BAR0071325                                   | ERA25                          | 1:1 | 6000 | 32Nm                                       | -   | X   | 28.5  | -    | 73.5 | CHUB27  | CHTAER25ZC OKU0290009 |
| BAR0070425                                     | BAR0071425                                   | ERA25                          | 1:1 | 6000 | 32Nm                                       | P=70bar   | X   | 28.5  | -    | 83.5 | CHUB27  | CHTAER25ZC OKU0290009 |
| BAR0070516                                     | BAR0071516                                   | WELDON16                       | 1:1 | 6000 | 32Nm                                       | -   | X   | -     | 27.5 | 73.5 | -   | -                     |

NEW

BARUFFALDI  
VDI 30

MODULO MOTORIZZATO RADIALE ARRETRATO VDI30 H=85mm  
Radial rear-set driven tool VDI30 H=85mm  
Radial angetriebenes Werkzeug zurueckversetzt VDI30 H=85mm

Subject to change without notice.



**M.T. srl**

Via Casino Albini 480  
Tel. 0541/956034-957884  
Fax 0541/956341  
47842 S. GIOVANNI IN M. (RN)  
e-mail: mtma@mtmarchetti.com  
http://www.mtmarchetti.com



PAGINA BAR015-1-70