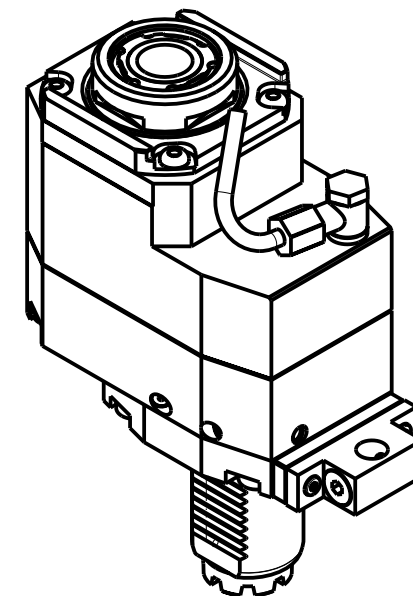
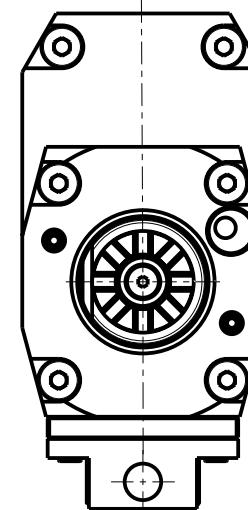
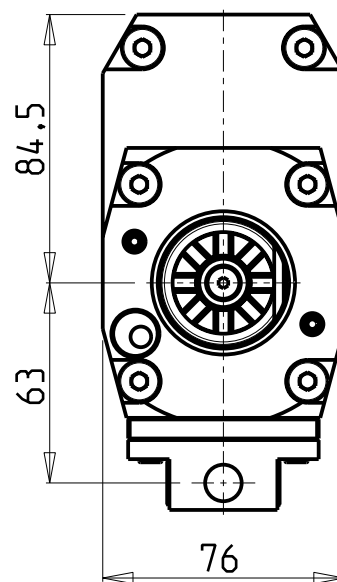


versione dx
right version
version rechts

versione sx
left version
version links

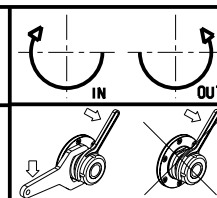


Cod. MT		Mandrino Spindle Spindel	I	RPM	Coppia Max Max Torque Max Drehmoment	Lubrificazione int. Coolant through Innenkuehlung	Lubrificazione est. Ext. coolant Aussenkuehlung	CHIAVI NON INCLUSE Keys not included Schlüssel nicht einbegriffen		
versione dx right version version rechts	versione sx left version version links							CHUB30	CHTAER32ZC *	OKU0650004 *
BAR0126132	BAR0127132	ERA32	1:2	8000	45Nm	-	X	CHUB30	CHTAER32ZC *	OKU0650004 *
BAR0126232	BAR0127232	ERA32	1:2	8000	45Nm	P=70bar	X	CHUB30	CHTAER32ZC *	OKU0650004 *

- Chiave inclusa
- Key included
- Schlüssel inbegriffen

BARUFFALDI
VDI 40

MODULO MOTORIZZATO ASSIALE MOLTIPLICATO I=1:2 DISASSATO 42mm VDI40
Axial geared-up I=1:2 driven tool re-directed by 42mm VDI40
Axial angetriebenes Werkzeug uebersetzt I=1:2 achsversetzt um 42mm VDI40



M.T. srl
Via Casino Albini 480
Tel. 0541/956034-957884
Fax 0541/956341
47842 S. GIOVANNI IN M. (RN)
e-mail: mtma@mtmarchetti.com
http://www.mtmarchetti.com



PAGINA BAR160-2-20

Subject to change without notice.

10/2021