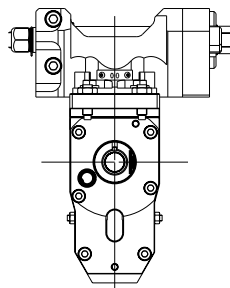
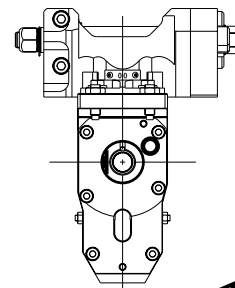


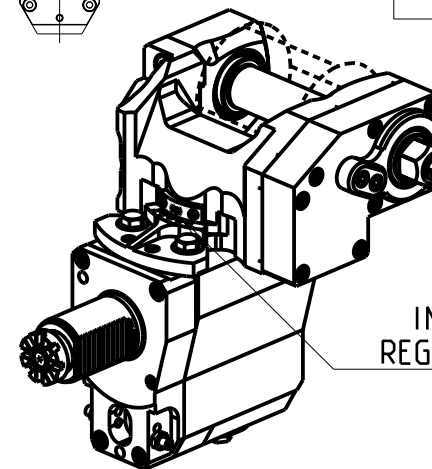
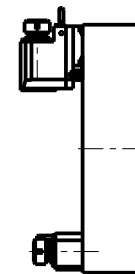
versione dx  
right version  
version rechts



versione sx  
left version  
version links



**TORRETTE ASSIALI**  
**AXIAL TURRETS**  
**AXIAL REVOLVER**



INCLINAZIONE  
REGOLABILE  $\pm 20^\circ$

PER ALBERI E DISTANZIALI VEDI PAG. TBL250-1-00  
FOR SHAFT END SPACER SEE PAGE TBL250-1-00  
FUER DORN UND ABSTANDSSTUECK SEITE TBL250-1-00

Cod. MT		I	RPM	Coppia Max Max Torque Max Drehmoment	Lubrificazione est. Ext. coolant Aussehenkuehlung	D (mm)	D (Inch)	CHIAVI INCLUSE Keys included Schlüssel einbegriffen		
versione dx right version version rechts	versione sx left version version links							C HUB24	C HUB13	C HESL08
BAR0231100	BAR0231110	1:1	6000	60Nm	X	16-22-27-32	3/4"-1"-1 1/4"	C HUB24	C HUB13	C HESL08
BAR0232100	BAR0232110	2:1	3000	80Nm	X	16-22-27-32	3/4"-1"-1 1/4"	C HUB24	C HUB13	C HESL08

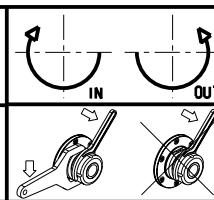
**DOTAZIONI - SUPPLIED WITH - AUSSTATTUNG**

mm / inch	
	- N°1 ALBERO + DISTANZIALI
	- N°1 SHAFT + SPACER
	- N°1 DORN + ABSTANDSSTUECK

BARUFFALDI  
VDI 40

MODULO MOTORIZZATO PORTACREATORE VDI40  
Driven gear hobber VDI40  
Angetriebenes Zahnradwaelzfraes-Werkzeug VDI40

Subject to change without notice.



**M.T. srl**

Via Casino Albini 480  
Tel. 0541/956034-957884  
Fax 0541/956341  
47842 S. GIOVANNI IN M. (RN)  
e-mail: mtma@mtmarchetti.com  
http://www.mtmarchetti.com



PAGINA BAR340-2-10