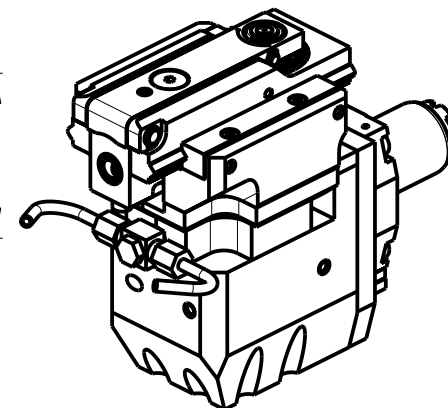
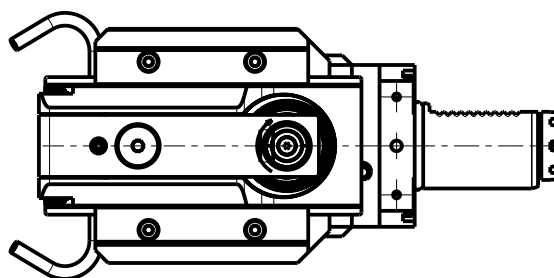
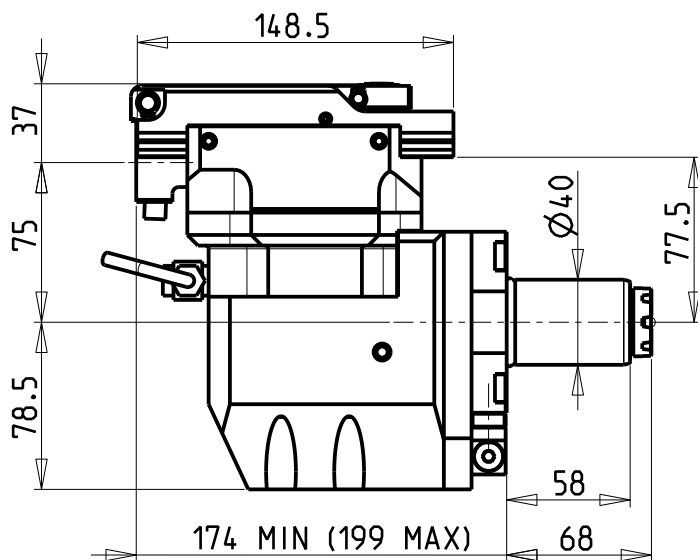
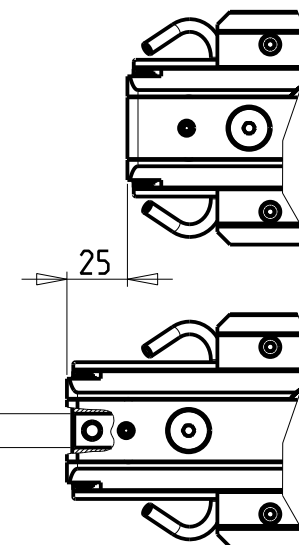
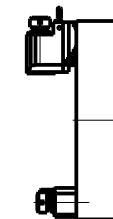


versione sx
left version
version links

versione dx
right version
version rechts



TORRETTE ASSIALI
AXIAL TURRETS
AXIAL REVOLVER



DOTAZIONI - SUPPLIED WITH - AUSSTATTUNG

N°1 Boccola di riduz. $\varnothing 16-\varnothing 12$ e N°1 Boccola di riduz. $\varnothing 16-\varnothing 10$
 N°1 Reduction bush $\varnothing 16-\varnothing 12$ and N°1 Reduction bush $\varnothing 16-\varnothing 10$
 N°1 Reduzierbuchsen $\varnothing 16-\varnothing 12$ und N°1 Reduzierbuchsen $\varnothing 16-\varnothing 10$

PER UTENSILI STOZZATORI VEDI PAG. TBL400-1-00
 FOR DRIVEN SLOTTING TOOL CUTTING-TOOLS SEE PAGE TBL400-1-00
 FÜR NUTENSTOSS-WERKZEUG SCHNEIDWERKZEUGE SIEHE SEITE TBL400-1-00

Cod. MT	I	RPM MAX	Lubr. esterna Ext. coolant Aussenkuehlung	VDI
BAR0180200	4:1	2400	X	DESTRO - Right - Recht
BAR0181200	4:1	2400	X	SINISTRO - Left - Link

BARUFFALDI
VDI 40

MODULO MOTORIZZATO STOZZATORE CORSA 25mm VDI40
 Slotting driven tool 25mm stroke VDI40
 Keilnutenstossmaschine 25mm Hub VDI40

M.T. srl

Via Casino Albini 480
 Tel. 0541/956034-957884
 Fax 0541/956341
 47842 S. GIOVANNI IN M. (RN)
 e-mail: mtma@tmarchetti.com
 http://www.tmmarchetti.com



PAGINA BAR360-2-31

Subject to change without notice.

10/2021