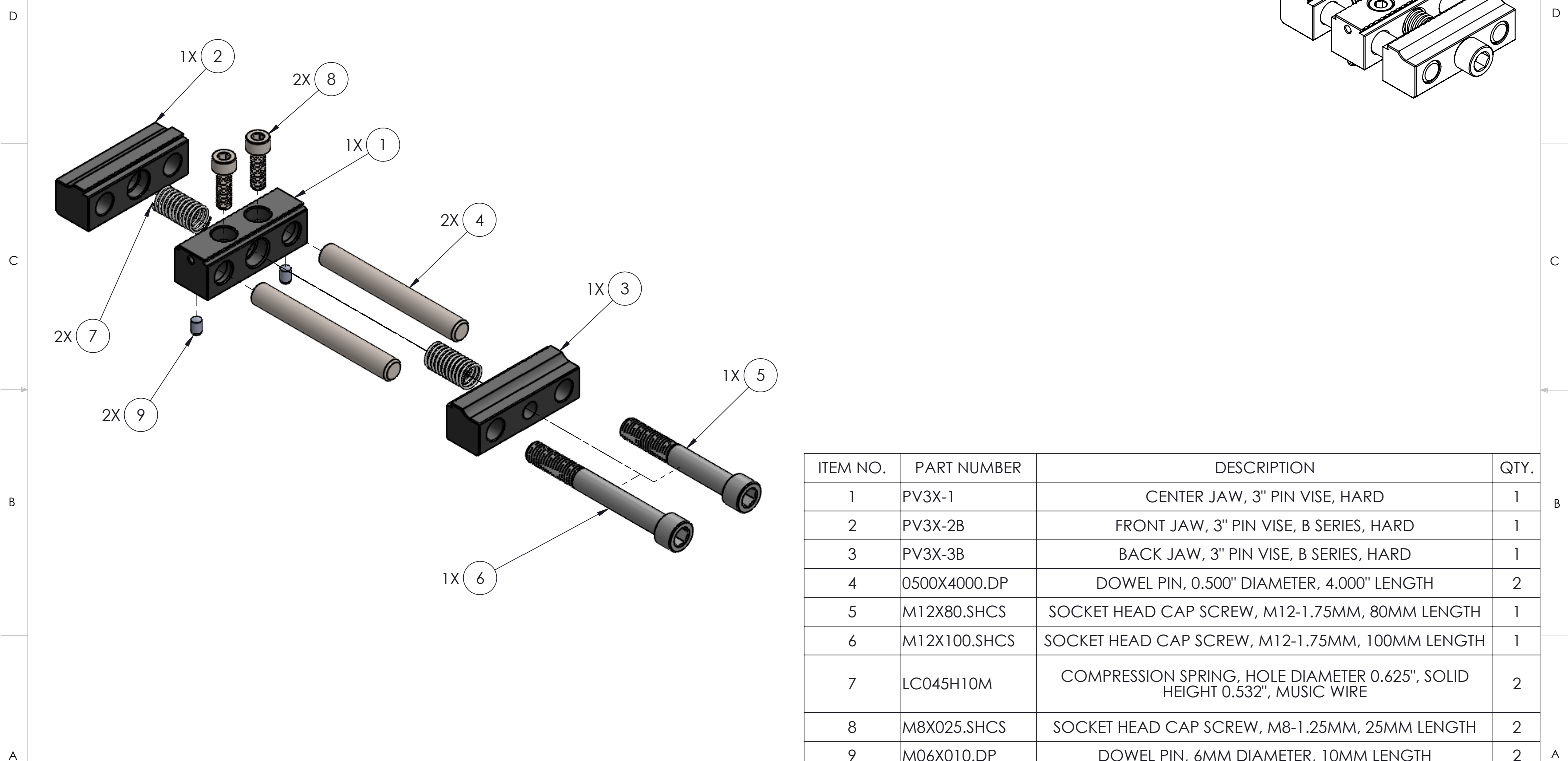


8 7 6 5 4 3 2 1



ITEM NO.	PART NUMBER	DESCRIPTION	QTY.
1	PV3X-1	CENTER JAW, 3" PIN VISE, HARD	1
2	PV3X-2B	FRONT JAW, 3" PIN VISE, B SERIES, HARD	1
3	PV3X-3B	BACK JAW, 3" PIN VISE, B SERIES, HARD	1
4	0500X4000.DP	DOWEL PIN, 0.500" DIAMETER, 4.000" LENGTH	2
5	M12X80.SHCS	SOCKET HEAD CAP SCREW, M12-1.75MM, 80MM LENGTH	1
6	M12X100.SHCS	SOCKET HEAD CAP SCREW, M12-1.75MM, 100MM LENGTH	1
7	LC045H10M	COMPRESSION SPRING, HOLE DIAMETER 0.625", SOLID HEIGHT 0.532", MUSIC WIRE	2
8	M8X025.SHCS	SOCKET HEAD CAP SCREW, M8-1.25MM, 25MM LENGTH	2
9	M06X010.DP	DOWEL PIN, 6MM DIAMETER, 10MM LENGTH	2

INCH <small>DRAWN IN ACCORDANCE WITH ASME Y14.5-2009</small>	TOLERANCES <small>UNLESS OTHERWISE SPECIFIED</small>	APPROVALS		 <small>WWW.FIFTHAXIS.COM</small> <small>7140 ENGINEER ROAD</small> <small>SAN DIEGO, CA 92111</small> <small>P (858) 505-0432 F (858) 505-9344</small>
	<small>DECIMAL</small> X ± 0.05 XX ± 0.01 XXX ± 0.005	<small>ANGLE</small> X ± 1° X ± 0.5°	<small>DRAWN BY</small> Y. RHEE	
PROPRIETARY AND CONFIDENTIAL <small>THE INFORMATION CONTAINED IN THIS DRAWING IS THE SOLE PROPERTY OF FIFTH AXIS, INC. ANY REPRODUCTION IN PART OR AS A WHOLE WITHOUT THE WRITTEN PERMISSION OF FIFTH AXIS, INC. IS PROHIBITED.</small>	<small>SURFACE FINISH</small> 	<small>MANUFACTURING</small>	<small>QUALITY</small>	<small>DESCRIPTION</small> PIN VISE, 3" WIDTH, 4" LENGTH, B SERIES
	<small>THIRD ANGLE PROJECTION</small> 	<small>FINAL</small>	<small>SIZE</small> B	<small>PART NO.</small> PV3X-4B
<small>DO NOT SCALE DRAWING</small>		<small>SCALE</small> 1:4	<small>WEIGHT:</small>	<small>SHEET 1 OF 1</small>

8 7 6 5 4 3 2 1