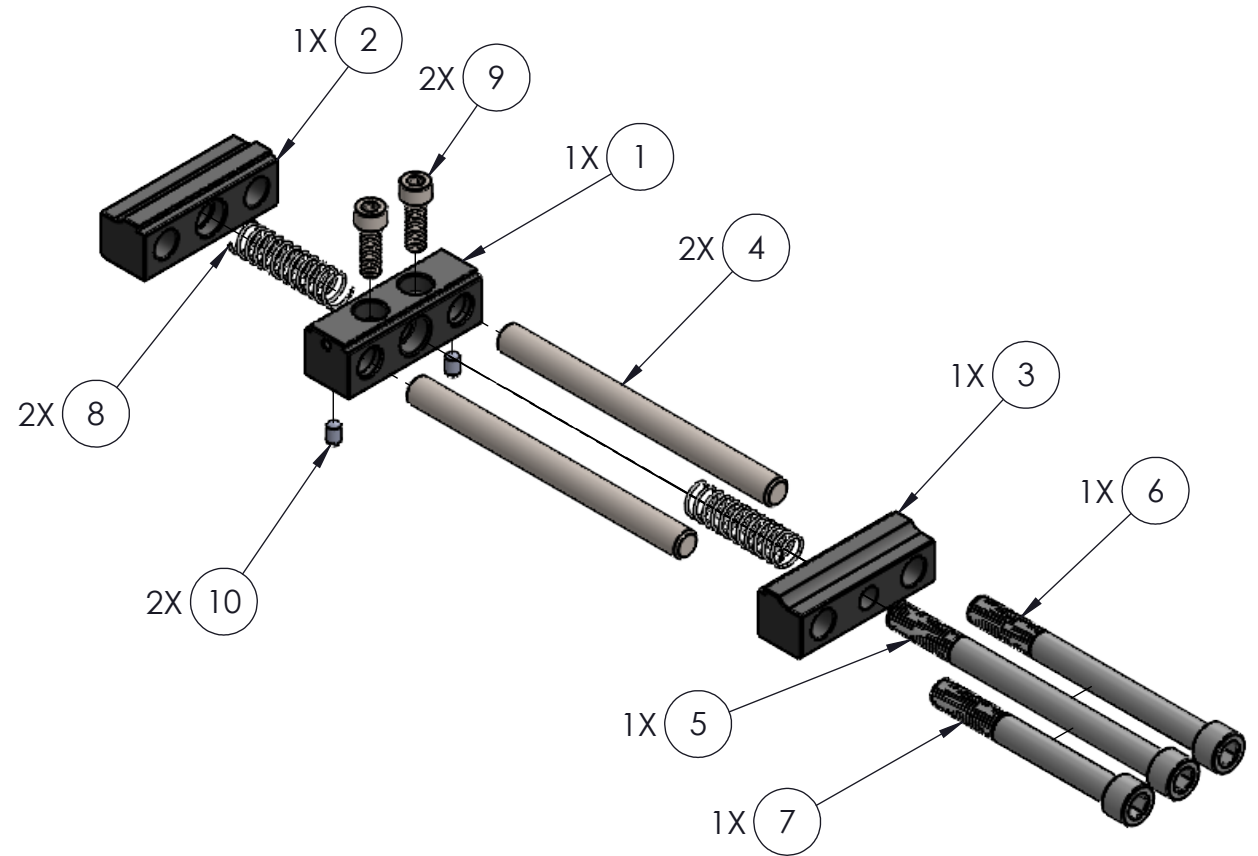
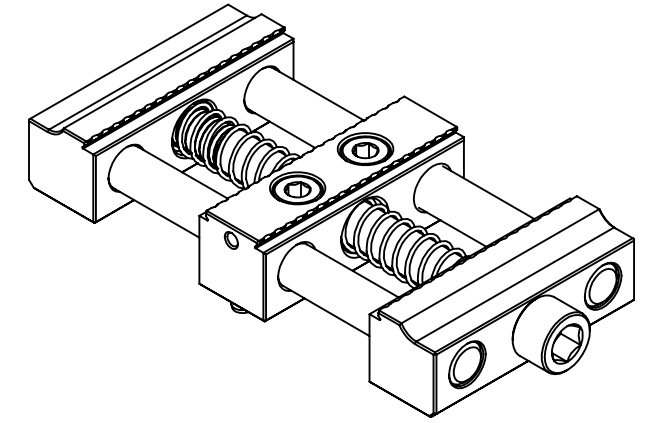


8 7 6 5 4 3 2 1



ITEM NO.	PART NUMBER	DESCRIPTION	QTY.
1	PV3X-1	CENTER JAW, 3" PIN VISE, HARD	1
2	PV3X-2B	FRONT JAW, 3" PIN VISE, B SERIES, HARD	1
3	PV3X-3B	BACK JAW, 3" PIN VISE, B SERIES, HARD	1
4	0500X6000.DP	DOWEL PIN, 0.500" DIAMETER, 6.000" LENGTH	2
5	M12X150.SHCS	SOCKET HEAD CAP SCREW, M12-1.75MM, 150MM LENGTH	1
6	M12X130.SHCS	SOCKET HEAD CAP SCREW, M12-1.75MM, 130MM LENGTH	1
7	M12X100.SHCS	SOCKET HEAD CAP SCREW, M12-1.75MM, 100MM LENGTH	1
8	LC045H10M	COMPRESSION SPRING, HOLE DIAMETER 0.625", SOLID HEIGHT 0.532", MUSIC WIRE	2
9	M8X025.SHCS	SOCKET HEAD CAP SCREW, M8-1.25MM, 25MM LENGTH	2
10	M06X010.DP	DOWEL PIN, 6MM DIAMETER, 10MM LENGTH	2

INCH <small>DRAWN IN ACCORDANCE WITH ASME Y14.5-2009</small>	TOLERANCES <small>UNLESS OTHERWISE SPECIFIED</small> DECIMAL: X ± 0.05, XX ± 0.01, XXX ± 0.005 ANGLE: X ± 1°, X ± 0.5° SURFACE FINISH:	APPROVALS DRAWN BY: Y. RHEE MANUFACTURING: 10/06/21	 <small>WWW.FIFTHAXIS.COM 7140 ENGINEER ROAD SAN DIEGO, CA 92111 P (858) 505-0432 F (858) 505-9344</small>
	PROPRIETARY AND CONFIDENTIAL <small>THE INFORMATION CONTAINED IN THIS DRAWING IS THE SOLE PROPERTY OF FIFTH AXIS, INC. ANY REPRODUCTION IN PART OR AS A WHOLE WITHOUT THE WRITTEN PERMISSION OF FIFTH AXIS, INC. IS PROHIBITED.</small>	THRID ANGLE PROJECTION:	
DESCRIPTION: PIN VISE, 3" WIDTH, 6" LENGTH, B SERIES		SIZE: B	PART NO.: PV3X-6B
<small>DO NOT SCALE DRAWING</small>		<small>SCALE 1:4</small>	<small>WEIGHT: SHEET 1 OF 1</small>

8 7 6 5 4 3 2 1