

8

7

6

5

4

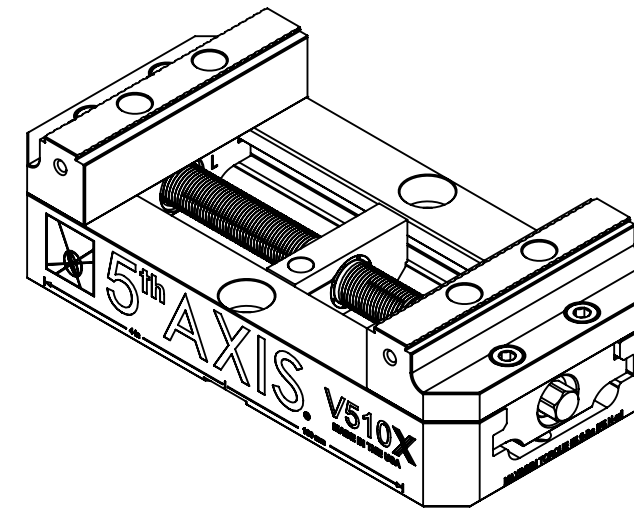
3

2

1

TECHNICAL DATA	V510X
JAW WIDTH	125.73mm
BASE LENGTH	254.00mm
MAXIMUM TORQUE (JAW BOLT)	47.45 Nm
CLAMPING FORCE	25.13kN @ 74.57 Nm
MAXIMUM TORQUE (LEADSCREW)	74.57 Nm
MAXIMUM TORQUE (MOUNTING BOLT)	47.45 Nm
SELF-CENTERING ACCURACY	± 12.7µm

# V510X



D

D

C

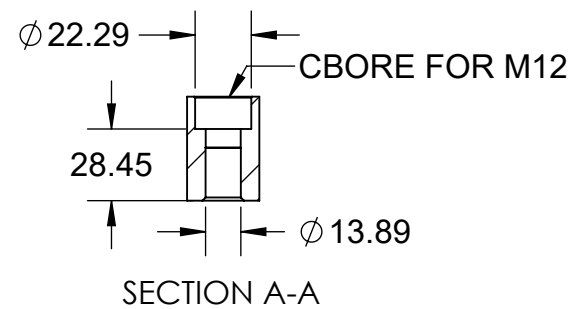
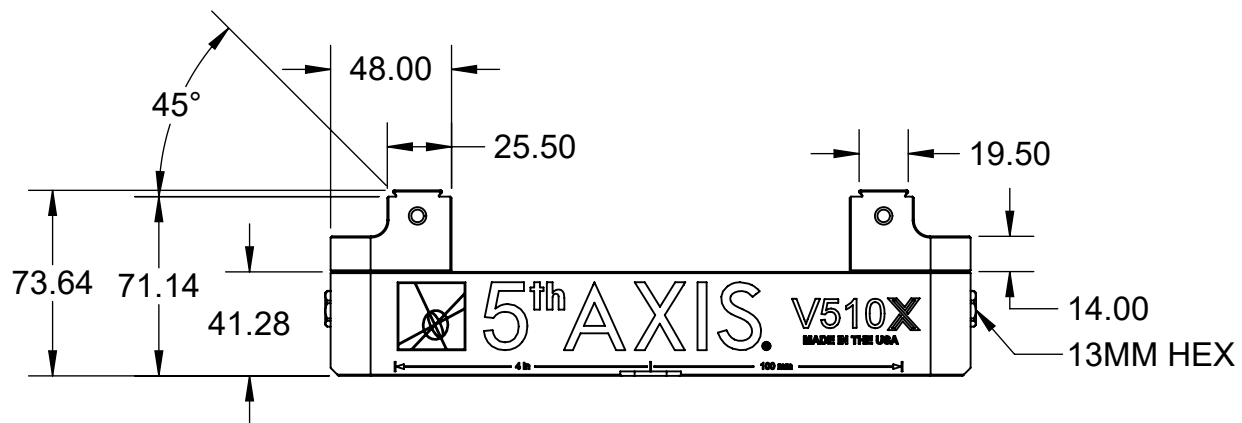
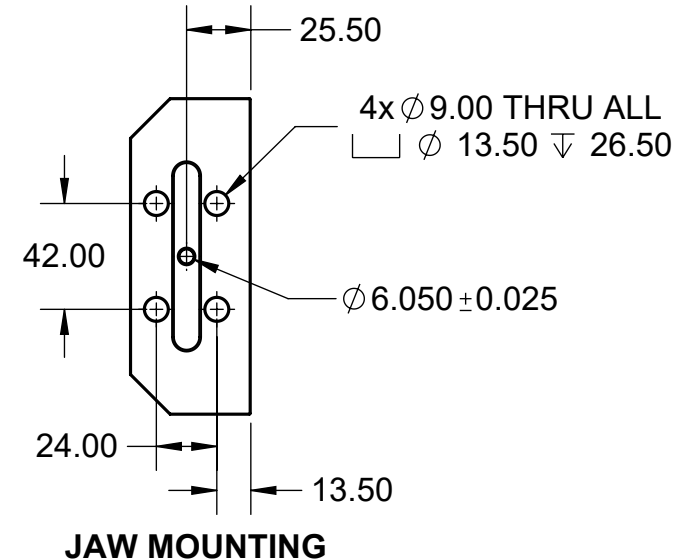
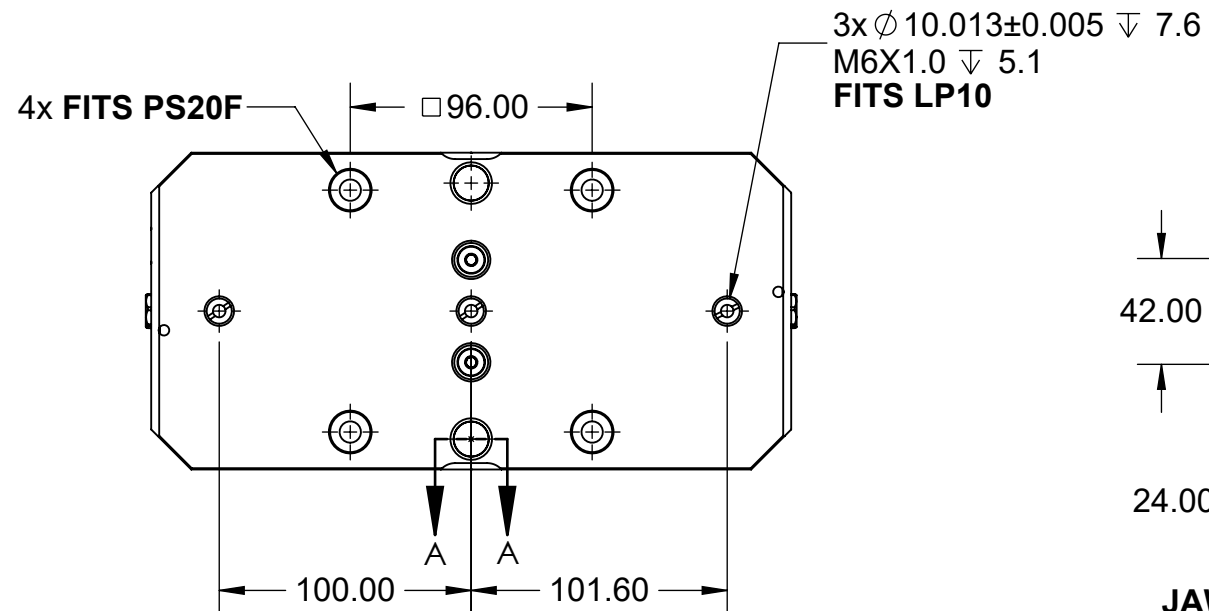
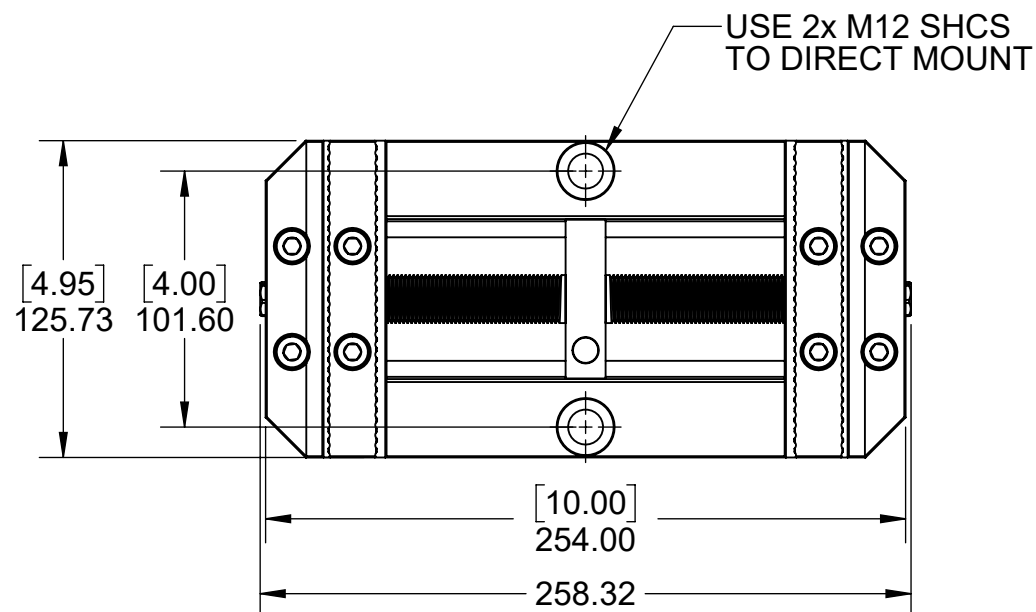
C

B

B

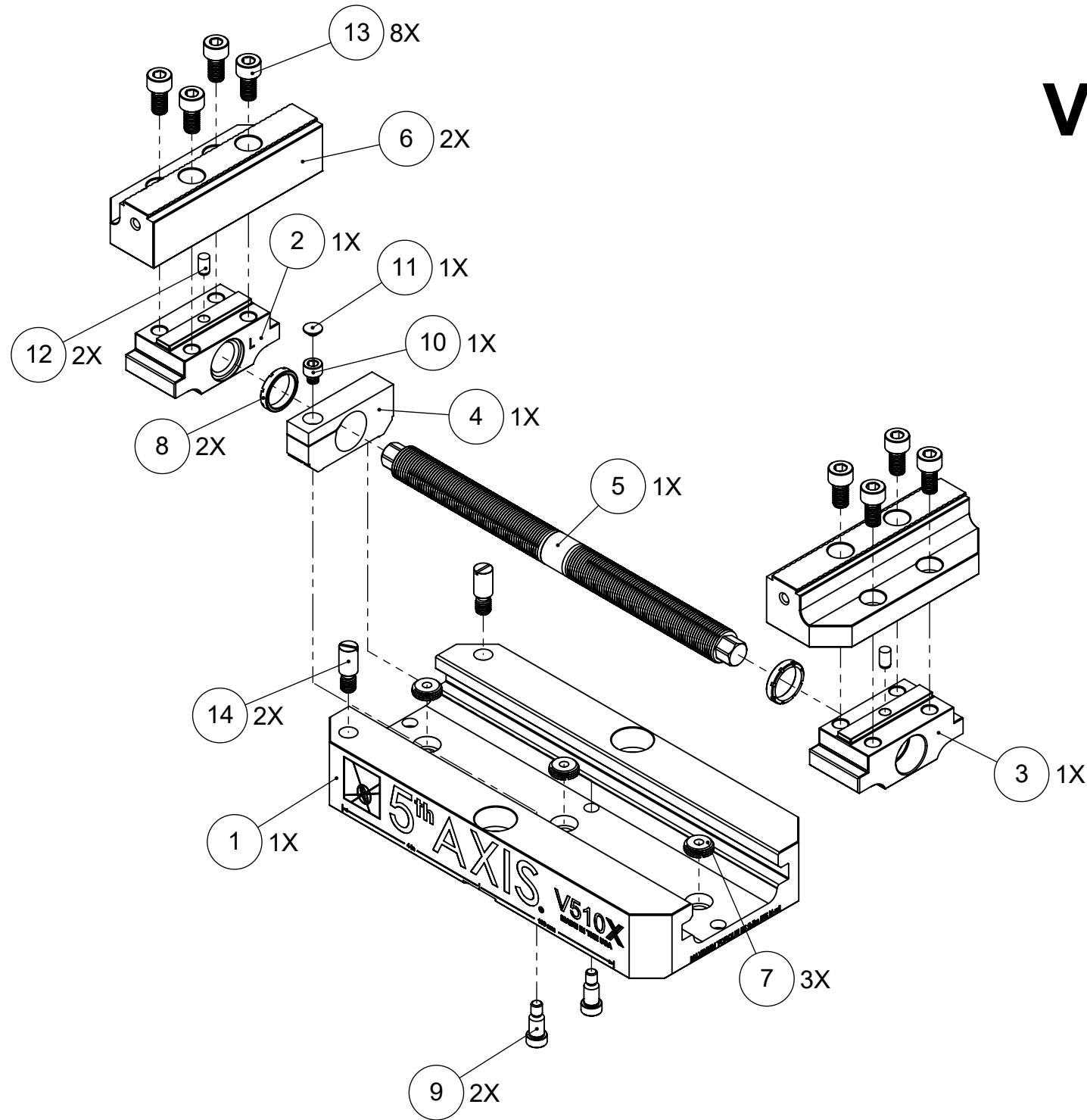
A

A



MILLIMETER		TOLERANCES UNLESS OTHERWISE SPECIFIED		5 <sup>th</sup> AXIS <sup>®</sup>	
DRAWN IN ACCORDANCE WITH ASME Y14.5-2009		x ± 0.1	.xx ± 0.01	DESCRIPTION <b>LARGE SELF-CENTERING VISE</b>	
WWW.5THAXIS.COM		.x ± 0.05	.xxx ± 0.005		
7140 ENGINEER ROAD SAN DIEGO, CA 92111		ANGULAR ± 0.5°		SIZE <b>B</b> PART NO. <b>V510X</b> REV <b>A</b>	
P (858) 505-0432 F (858) 505-9344		THIRD ANGLE PROJECTION		DO NOT SCALE DRAWING	
				SCALE 1:3	
				WEIGHT:	
				SHEET 1 OF 3	

# V510X



ITEM NO.	PART NUMBER	DESCRIPTION	QTY.
1	V5104-1	BASE	1
2	V562X-2L	LEFT TRUCK	1
3	V562X-2R	RIGHT TRUCK	1
4	V562MX-3	CENTER BLOCK	1
5	V56124-4	LEAD SCREW	1
6	V562X-5	JAW	2
7	TIM-58	THREADED INSERT	3
8	V56124-6	CENTER BLOCK RING	2
9	SB5VX	SHOULDER BOLT	2
10	91290A310	SOCKET HEAD CAP SCREW	1
11	M6C	PLASTIC PLUG	1
12	M6X12.DP	DOWEL PIN, M6 X 12mm	2
13	91290A418	SOCKET HEAD CAP SCREW	8
14	BASE PLUG	BASE PLUG	2
15	ANTI-SEIZE	ANTI-SEIZE (NOT SHOWN)	1
16	LP10	LOCATING PIN (NOT SHOWN)	2
17	TS13	THUMB SCREW (NOT SHOWN)	1

FOR REFERENCE ONLY - NOT FOR RESALE

### MILLIMETER

DRAWN IN ACCORDANCE WITH  
ASME Y14.5-2009

WWW.5THAXIS.COM

7140 ENGINEER ROAD  
SAN DIEGO, CA 92111

P (858) 505-0432  
F (858) 505-9344

### TOLERANCES

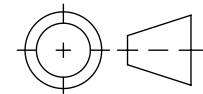
UNLESS OTHERWISE SPECIFIED

x ± 0.1 .xx ± 0.01

.x ± 0.05 .xxx ± 0.005

ANGULAR ± 0.5°

THIRD ANGLE PROJECTION



LARGE SELF-CENTERING VISE

DESCRIPTION

SIZE

**B**

PART NO.

**V510X**

REV

**A**

DO NOT SCALE DRAWING

SCALE 1:3

WEIGHT:

SHEET 2 OF 3

8

7

6

5

4

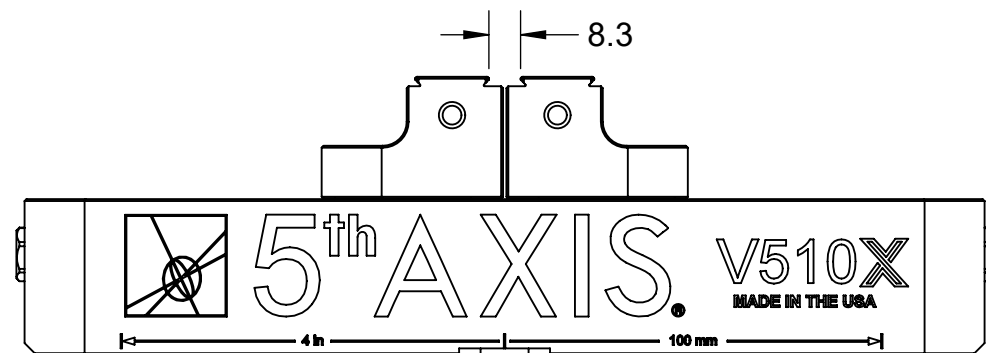
3

2

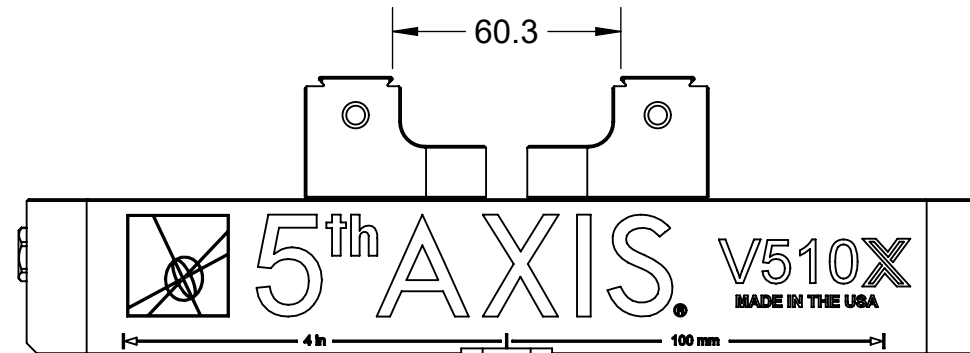
1

**NOTE:** USING DOVETAIL ALLOWS VISE TO CLAMP LARGER PART.  
BELOW CLAMPING RANGE ONLY SHOWS THE CAPABILITY OF THE GRIPPER TEETH.

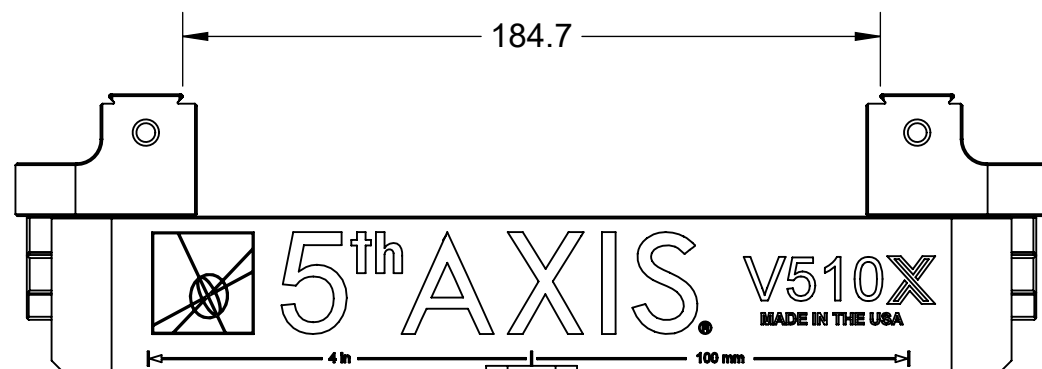
# V510X



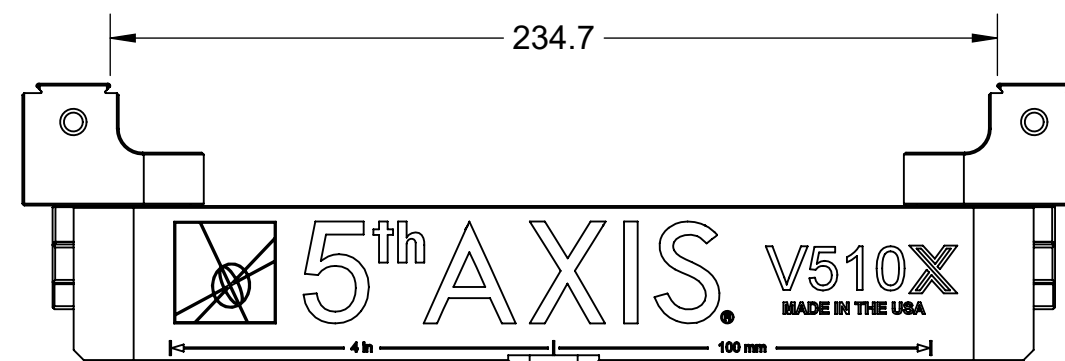
FORWARD JAWS (MINIMUM CLAMPING RANGE)



REVERSE JAWS (MINIMUM CLAMPING RANGE)



FORWARD JAWS (MAXIMUM CLAMPING RANGE)



REVERSE JAWS (MAXIMUM CLAMPING RANGE)

### MILLIMETER

DRAWN IN ACCORDANCE WITH  
ASME Y14.5-2009

WWW.5THAXIS.COM

7140 ENGINEER ROAD  
SAN DIEGO, CA 92111

P (858) 505-0432  
F (858) 505-9344

### TOLERANCES

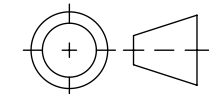
UNLESS OTHERWISE SPECIFIED

x ± 0.1    .xx ± 0.01

.x ± 0.05    .xxx ± 0.005

ANGULAR ± 0.5°

THIRD ANGLE PROJECTION



DESCRIPTION

**LARGE SELF-CENTERING VISE**

SIZE  
**B**

PART NO.

**V510X**

REV  
**A**

DO NOT SCALE DRAWING

SCALE 1:2

WEIGHT:

SHEET 3 OF 3

8

7

6

5

4

3

2

1