

8

7

6

5

4

3

2

1

D

D

C

C

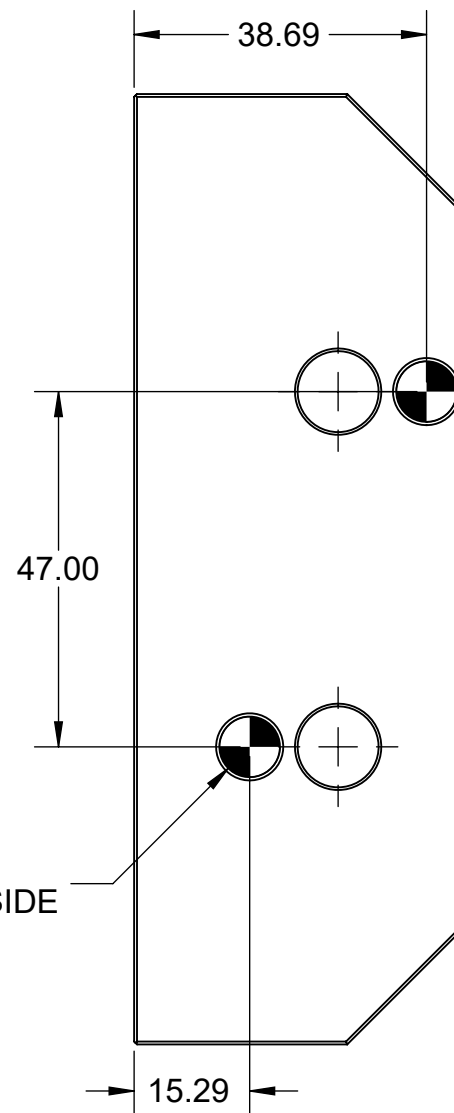
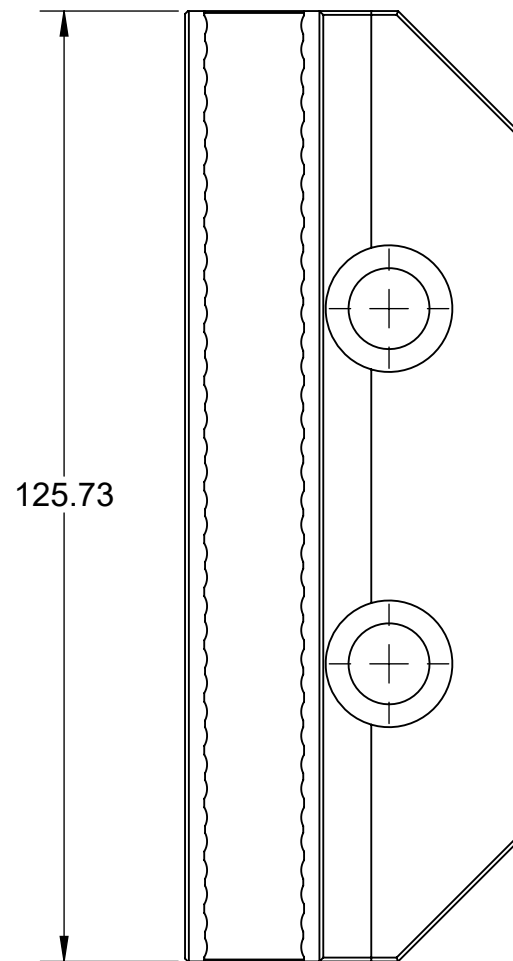
B

B

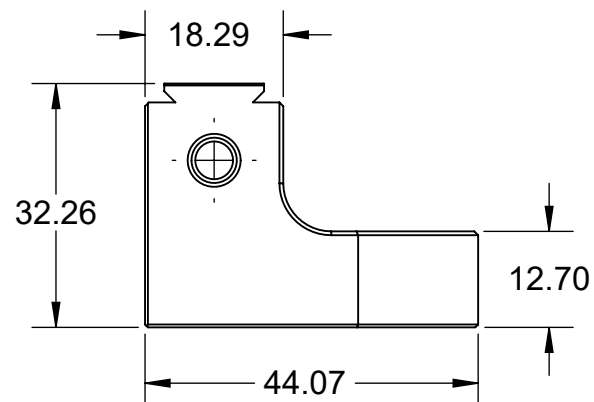
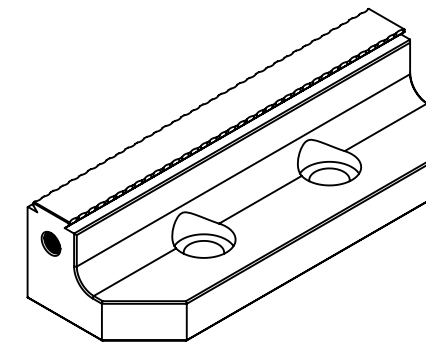
A


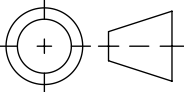
A

V562M-5



2X ϕ 8.02 ∇ 6.86
 \surd ϕ 8.89 X 90°, NEAR SIDE



MILLIMETER		TOLERANCES UNLESS OTHERWISE SPECIFIED			
DRAWN IN ACCORDANCE WITH ASME Y14.5-2009		x ± 0.1 .xx ± 0.01 .x ± 0.05 .xxx ± 0.005 ANGULAR ± 0.5° THIRD ANGLE PROJECTION			
WWW.5THAXIS.COM				DESCRIPTION REPLACEMENT MASTER JAW	
7140 ENGINEER ROAD SAN DIEGO, CA 92111				SIZE B	PART NO. V562M-5
P (858) 505-0432 F (858) 505-9344		DO NOT SCALE DRAWING		SCALE 1:1	WEIGHT:
				SHEET 1 OF 1	

8

7

6

5

4

3

2

1