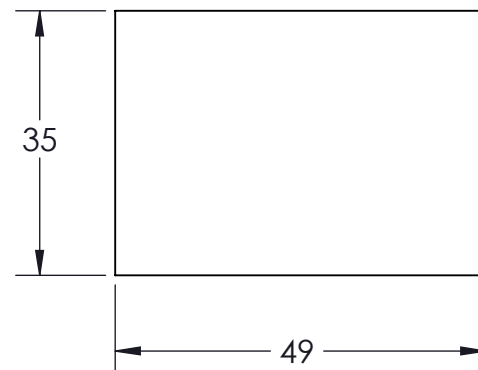
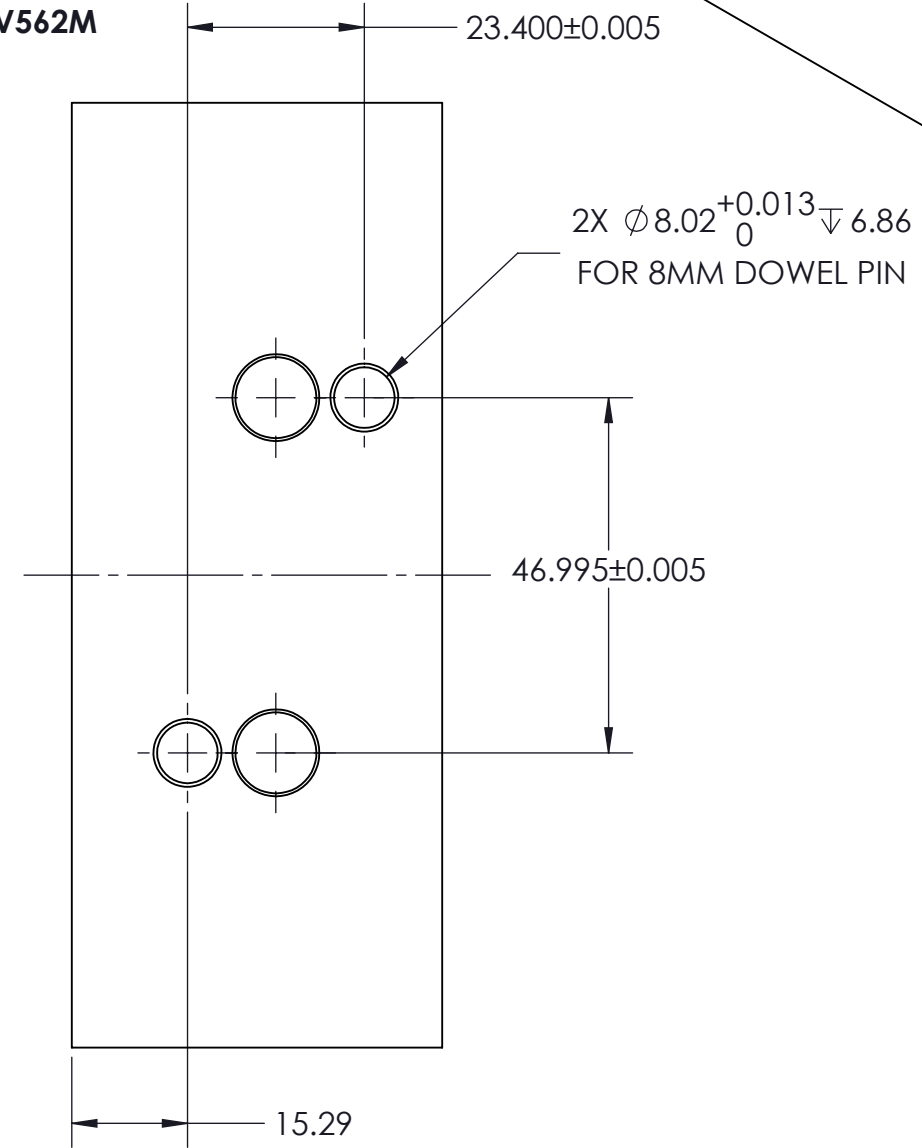
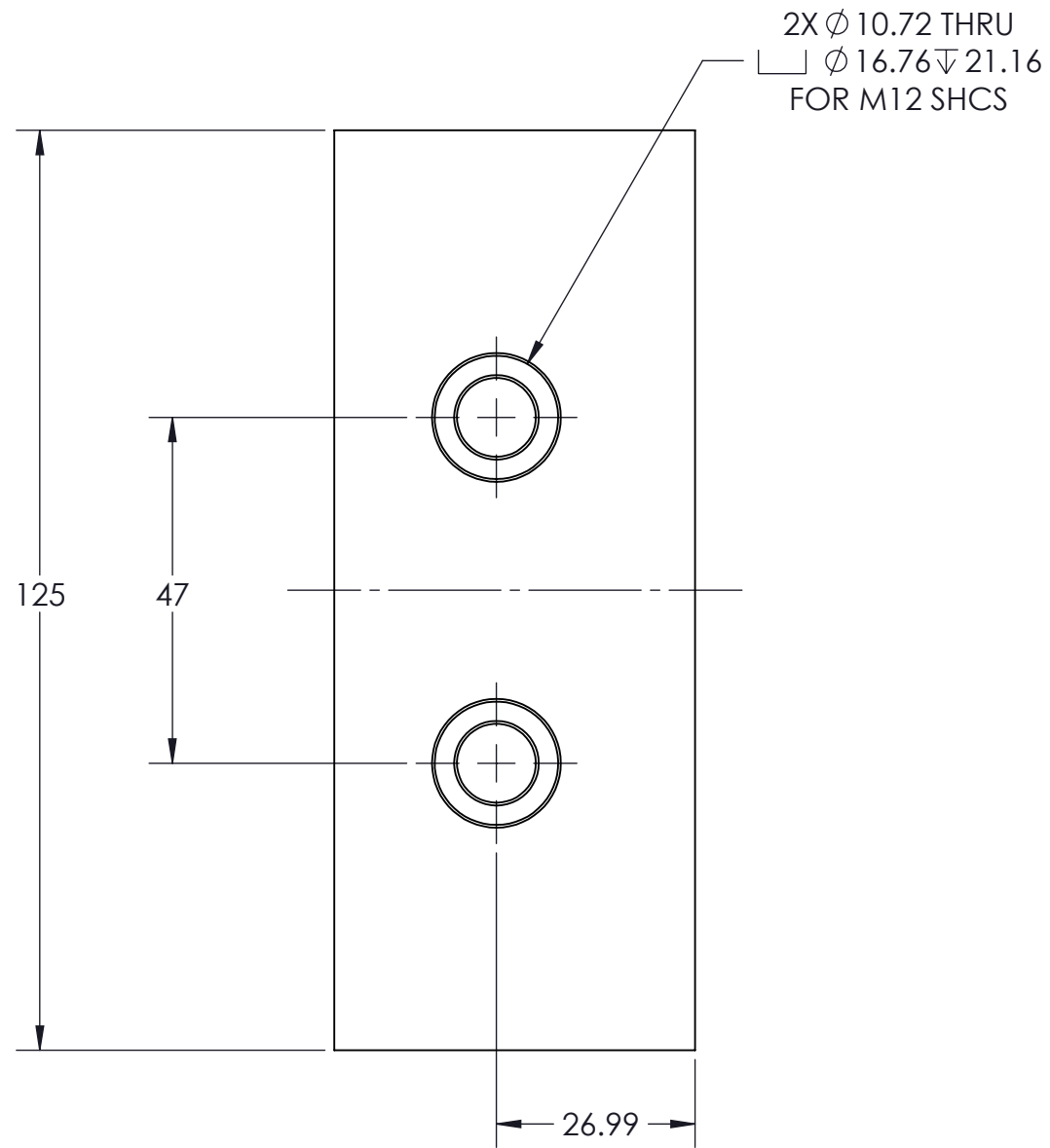
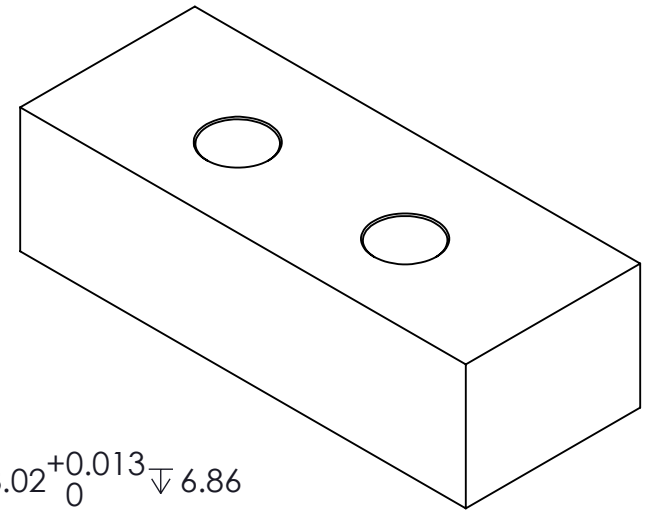


MATERIAL:
 VAJ52M: 6061 ALUMINUM
 VSJ52M: 1018 STEEL

VAJ52M VSJ52M

FITS V552M AND V562M



MILLIMETER <small>DRAWN IN ACCORDANCE WITH ASME Y14.5-2009</small> PROPRIETARY AND CONFIDENTIAL <small>THE INFORMATION CONTAINED IN THIS DRAWING IS THE SOLE PROPERTY OF FIFTH AXIS, INC. ANY REPRODUCTION IN PART OR AS A WHOLE WITHOUT THE WRITTEN PERMISSION OF FIFTH AXIS, INC. IS PROHIBITED.</small>	TOLERANCES <small>UNLESS OTHERWISE SPECIFIED</small> X \pm 1.0 .X \pm 0.3 ANGLULAR \pm 0.5° .XX \pm 0.13		WWW.FIFTHAXIS.COM 7140 ENGINEER ROAD SAN DIEGO, CA 92111 P (858) 505-0432 F (858) 505-9344
	<small>THIRD ANGLE PROJECTION</small> 		
SIZE B	PART NO. VAJ52M/VSJ52M	REV -	DO NOT SCALE DRAWING SCALE 1:1 WEIGHT: 1.194 LBS SHEET 1 OF 1