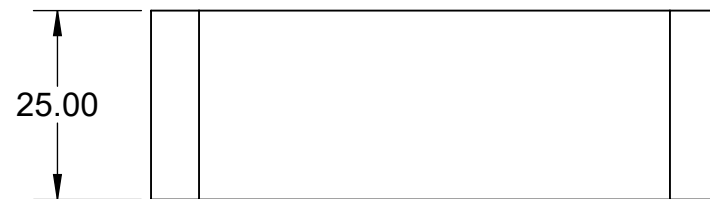
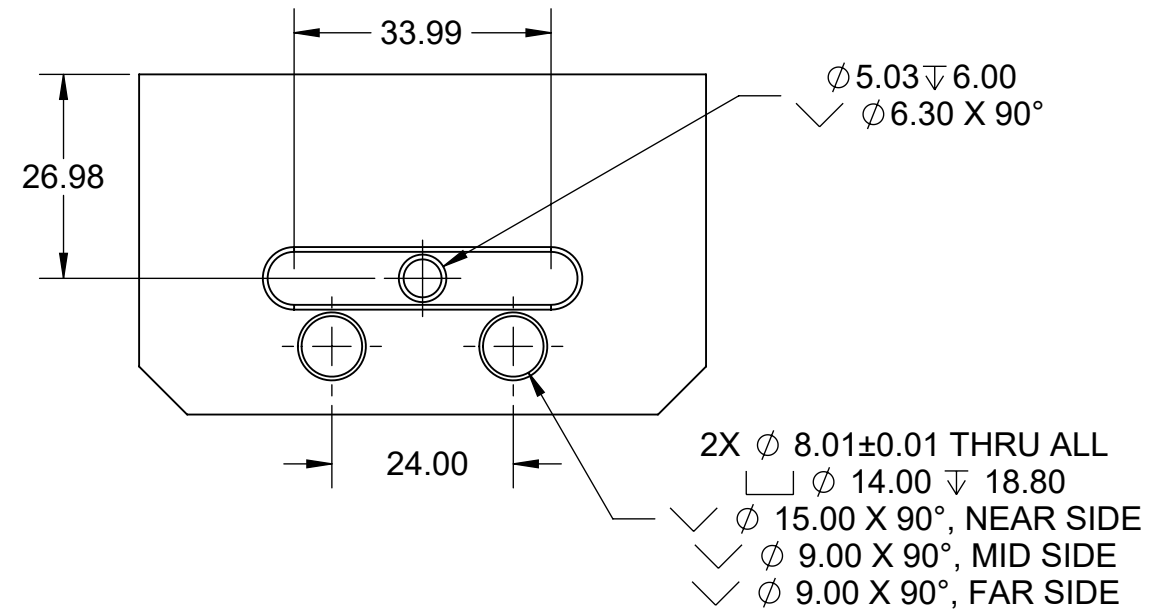
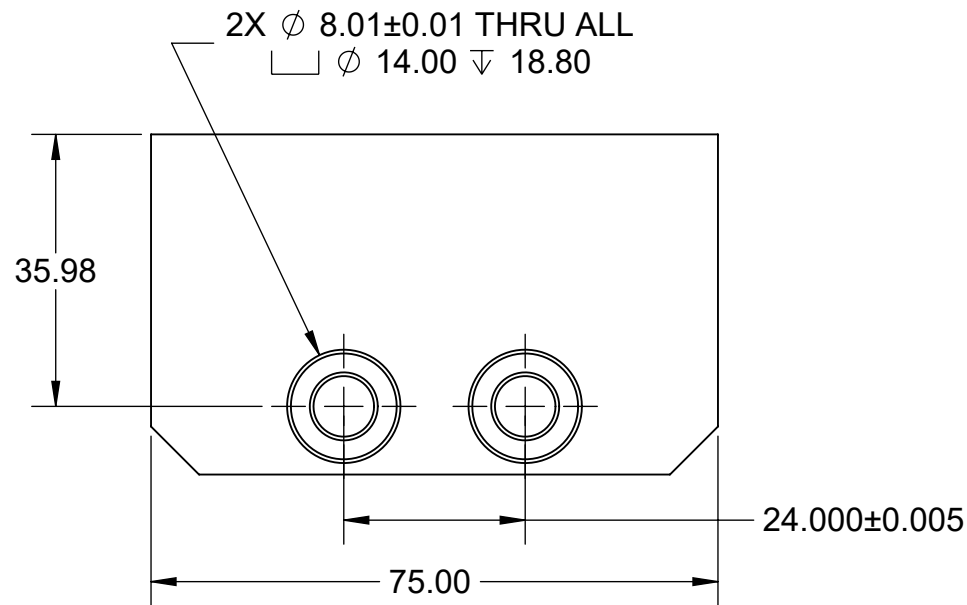
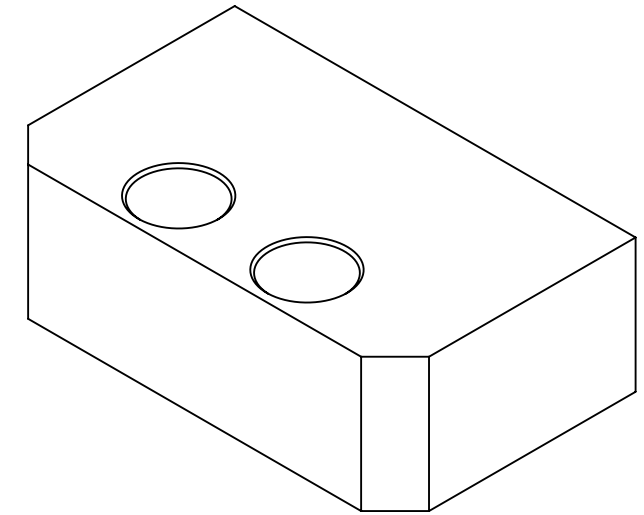

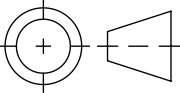


# VAJ75 VSJ75

**MATERIAL:**  
**VAJ75: 6061 ALUMINUM BODY**  
**VSJ75: 1018 STEEL BODY**



<b>MILLIMETER</b>		<b>TOLERANCES</b> UNLESS OTHERWISE SPECIFIED			
DRAWN IN ACCORDANCE WITH ASME Y14.5-2009		x ± 0.1    .xx ± 0.01 .x ± 0.05    .xxx ± 0.005 ANGULAR ± 0.5° THIRD ANGLE PROJECTION			
WWW.5THAXIS.COM				DESCRIPTION <b>SOFT JAW FOR 75100</b>	
7140 ENGINEER ROAD SAN DIEGO, CA 92111				SIZE <b>B</b>	PART NO. <b>VAJ75/VSJ75</b>
P (858) 505-0432 F (858) 505-9344		DO NOT SCALE DRAWING		SCALE 1:1	WEIGHT: TBD
				SHEET 1 OF 1	