

8

7

6

5

4

3

2

1

D

D

C

C

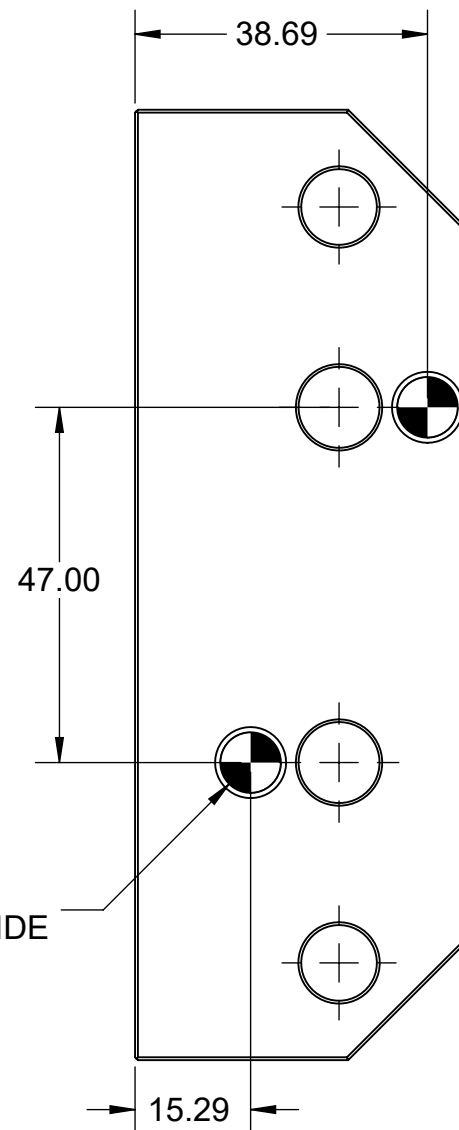
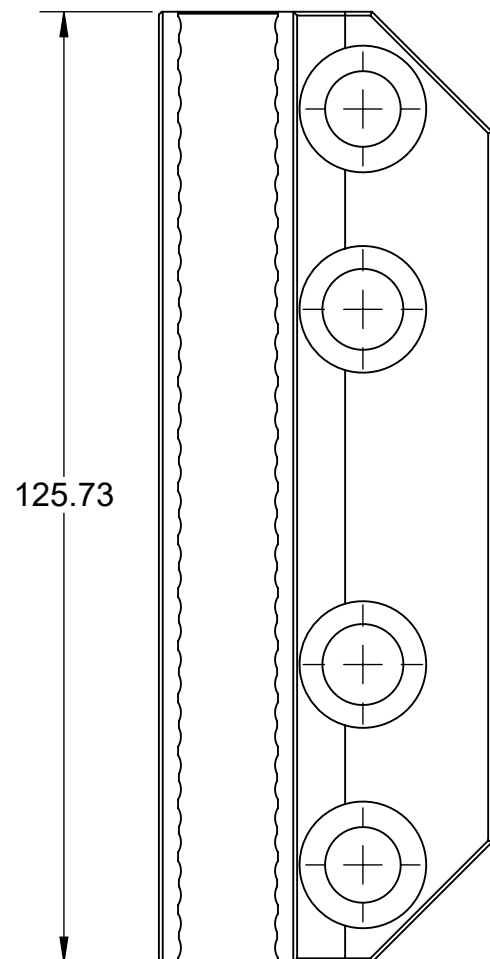
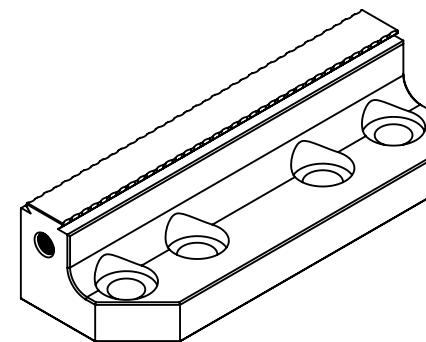
B

B

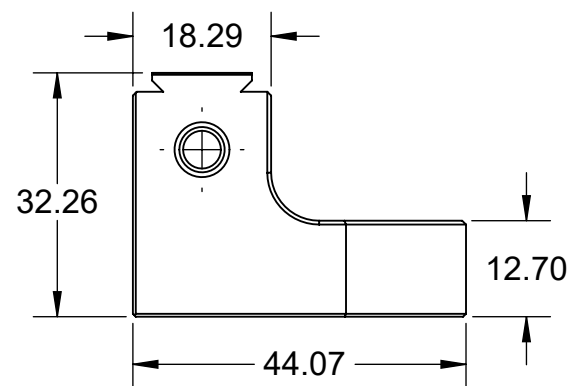
A

A

V562M-5F



2X ϕ 8.02 ∇ 6.86
 \surd ϕ 9.40 X 90°, NEAR SIDE



MILLIMETER <small>DRAWN IN ACCORDANCE WITH ASME Y14.5-2009</small>	TOLERANCES UNLESS OTHERWISE SPECIFIED x ± 0.1 .xx ± 0.01 .x ± 0.05 .xxx ± 0.005 ANGULAR ± 0.5° THIRD ANGLE PROJECTION			
		REPLACEMENT MASTER JAW		
WWW.5THAXIS.COM 7140 ENGINEER ROAD SAN DIEGO, CA 92111 P (858) 505-0432 F (858) 505-9344	DESCRIPTION V562M-5F	SIZE B	PART NO. V562M-5F	REV A
DO NOT SCALE DRAWING		SCALE 1:1	WEIGHT:	SHEET 1 OF 1

8

7

6

5

4

3

2

1