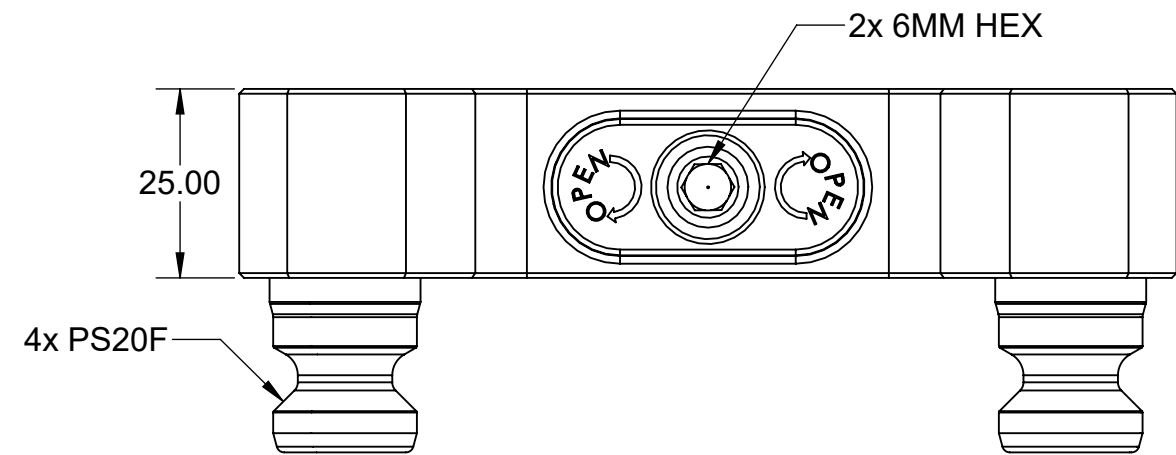
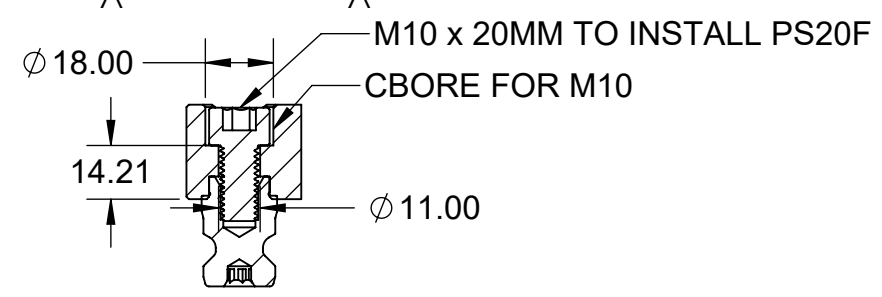
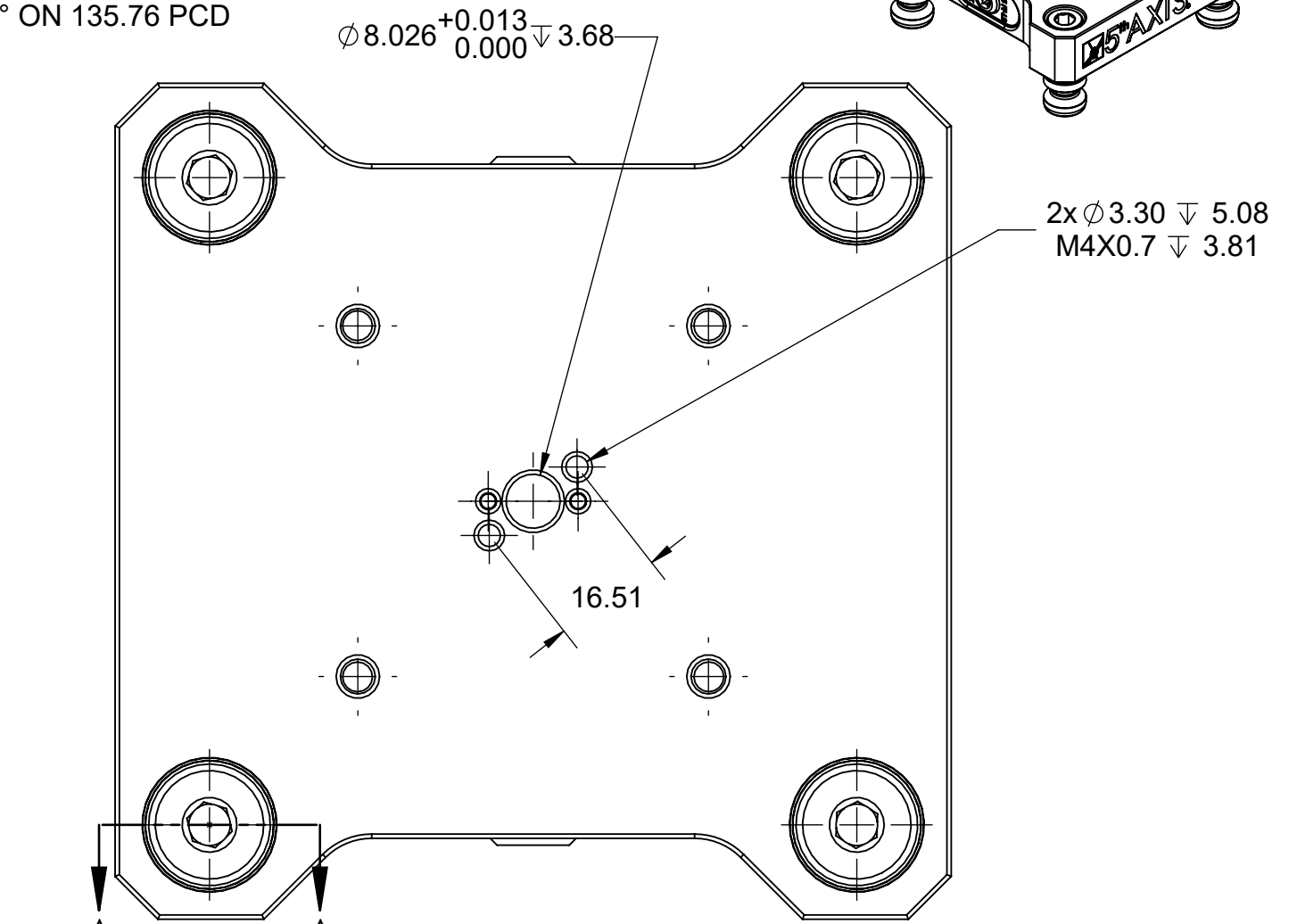
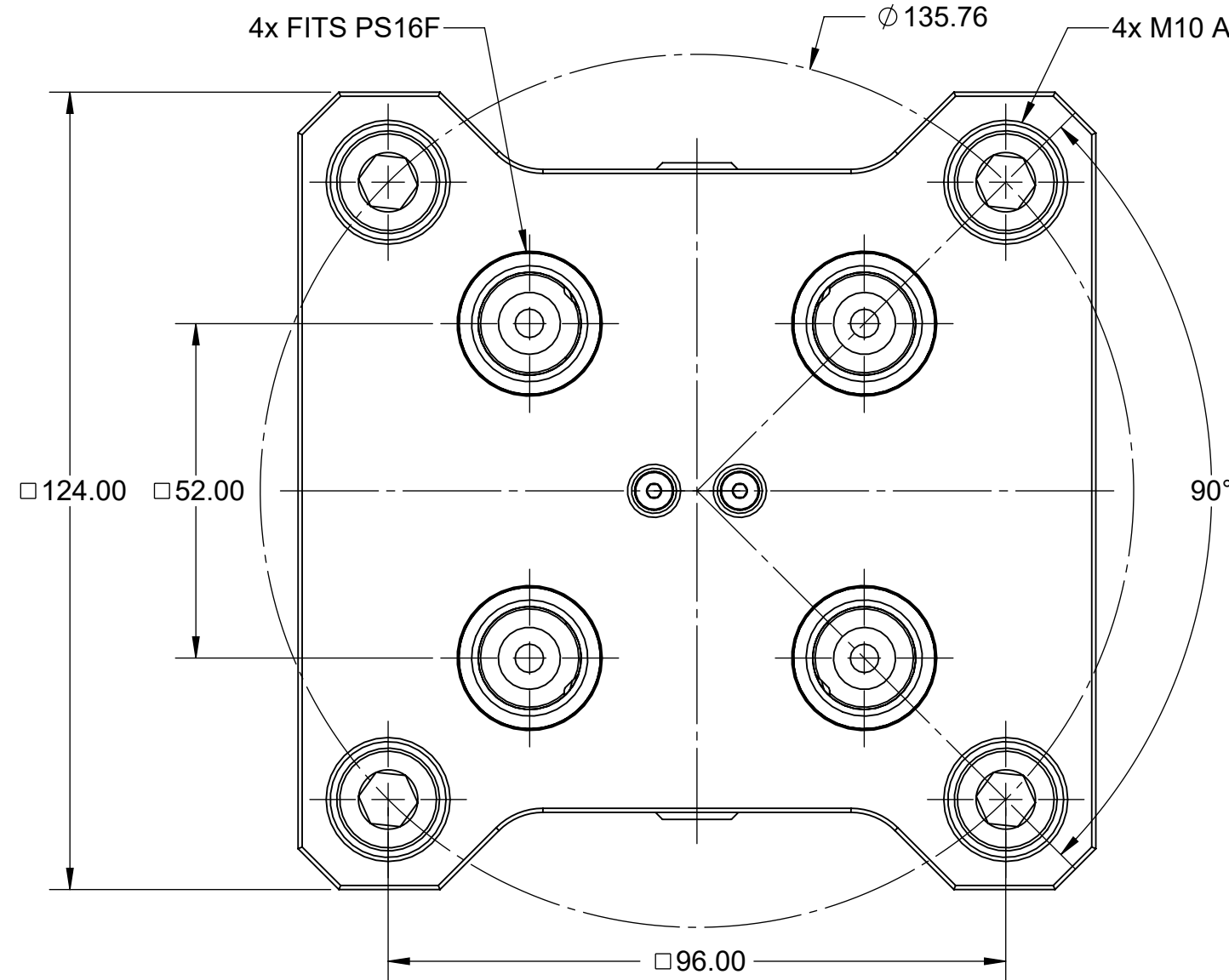
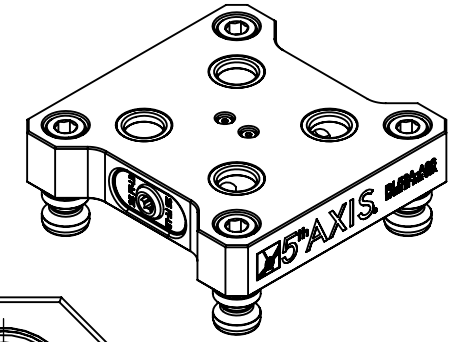


**MATERIAL:**  
**RL52A-A96: 6061 ALUMINUM BODY**

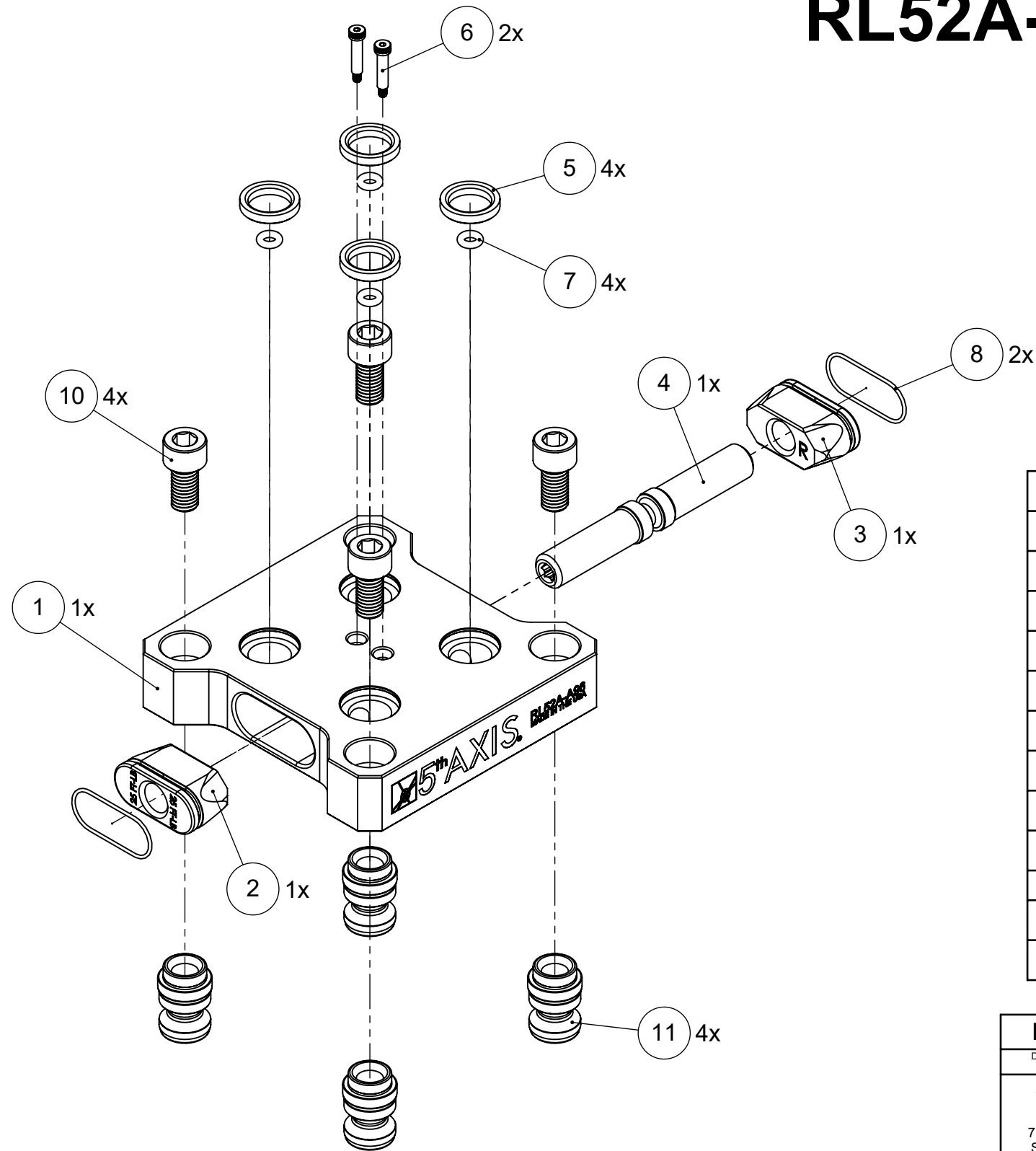
# RL52A-A96



|   |  |                                 |   |                                |
|---|--|---------------------------------|---|--------------------------------|
| <b>MILLIMETER</b><br><small>DRAWN IN ACCORDANCE WITH ASME Y14.5-2009</small><br><br><small>WWW.5THAXIS.COM</small><br><br><small>7140 ENGINEER ROAD<br/>         SAN DIEGO, CA 92111</small><br><br><small>P (858) 505-0432<br/>         F (858) 505-9344</small> | <b>TOLERANCES</b><br><small>UNLESS OTHERWISE SPECIFIED</small><br>x $\pm 0.1$ .xx $\pm 0.01$<br>.x $\pm 0.05$ .xxx $\pm 0.005$<br>ANGULAR $\pm 0.5^\circ$<br><small>THIRD ANGLE PROJECTION</small> |                                 |   |                                |
|   | <small>DESCRIPTION</small><br><b>ROCKLOCK™ 96MM TO 52MM ADAPTER</b>  | <small>SIZE</small><br><b>B</b> | <small>PART NO.</small><br><b>RL52A-A96</b> | <small>REV</small><br><b>A</b> |
| <small>DO NOT SCALE DRAWING</small>   |  | <small>SCALE 1:1</small>        | <small>WEIGHT: 1.0 KG</small>               | <small>SHEET 1 OF 2</small>    |

# RL52A-A96

**MATERIAL:**  
RL52A-A96: 6061 ALUMINUM BODY



| ITEM NO. | PART NUMBER | DESCRIPTION              | QTY. |
|----------|-------------|--------------------------|------|
| 1        | RL52-1A96A  | ROCKLOCK™ BASE           | 1    |
| 2        | RL52-2L     | LEFT ROCKLOCK™ TRUCK     | 1    |
| 3        | RL52-2R     | RIGHT ROCKLOCK™ TRUCK    | 1    |
| 4        | RL52-3      | ROCKLOCK™ LEAD SCREW     | 1    |
| 5        | 22X16.DB    | PRECISION BUSHING        | 4    |
| 6        | SB43        | SHOULDER BOLT            | 2    |
| 7        | 9452K168    | BASE O-RING              | 4    |
| 8        | 9452K77     | TRUCK O-RING             | 2    |
| 9        | 9750K72     | PLASTIC PLUG (NOT SHOWN) | 4    |
| 10       | 91290A516   | M10 X 20MM SHCS          | 4    |
| 11       | PS20F       | PULL STUD                | 4    |

**FOR REFERENCE ONLY - NOT FOR RESALE**

|  |  |  |           |                |              |
|--|--|--|-----------|----------------|--------------|
| <b>MILLIMETER</b><br><small>DRAWN IN ACCORDANCE WITH<br/>ASME Y14.5-2009</small><br><br>WWW.5THAXIS.COM<br><br>7140 ENGINEER ROAD<br>SAN DIEGO, CA 92111<br><br>P (858) 505-0432<br>F (858) 505-9344 | <b>TOLERANCES</b><br><small>UNLESS OTHERWISE SPECIFIED</small><br>x ± 0.1    .xx ± 0.01<br>.x ± 0.05    .xxx ± 0.005<br>ANGULAR ± 0.5°<br>THIRD ANGLE PROJECTION |  |           |                |              |
|  |  | <b>DESCRIPTION</b><br>ROCKLOCK™ 96MM TO 52MM ADAPTER |           |                |              |
| SIZE <b>B</b> PART NO. <b>RL52A-A96</b> REV <b>A</b>   |  | DO NOT SCALE DRAWING                                 | SCALE 1:2 | WEIGHT: 1.0 KG | SHEET 2 OF 2 |