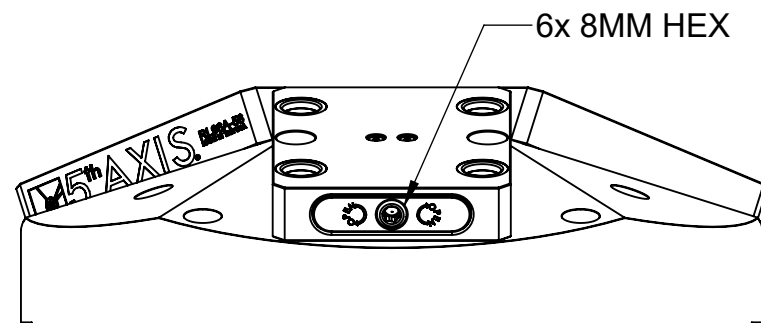
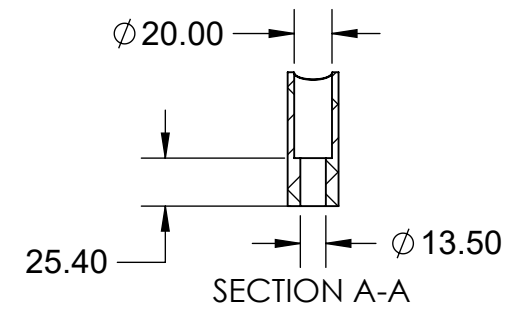
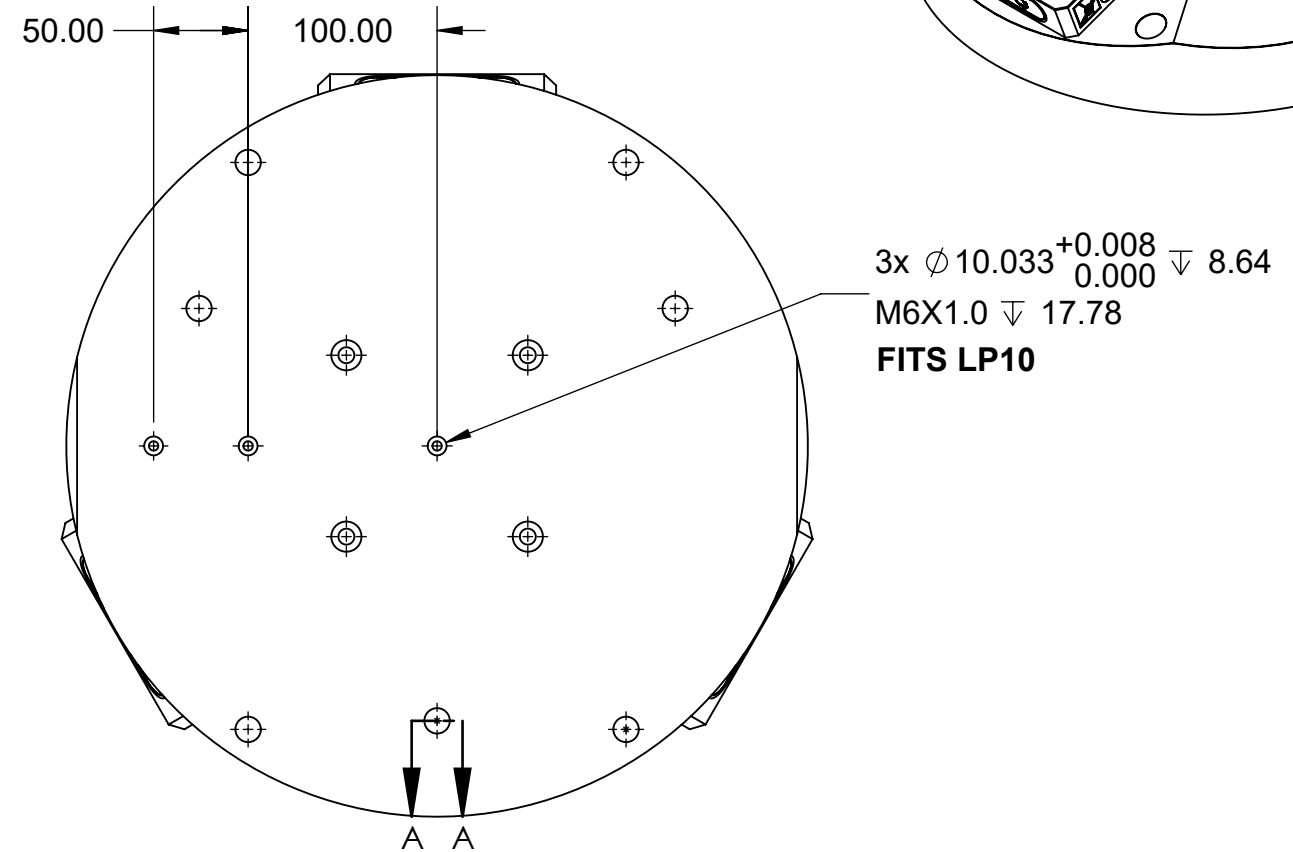
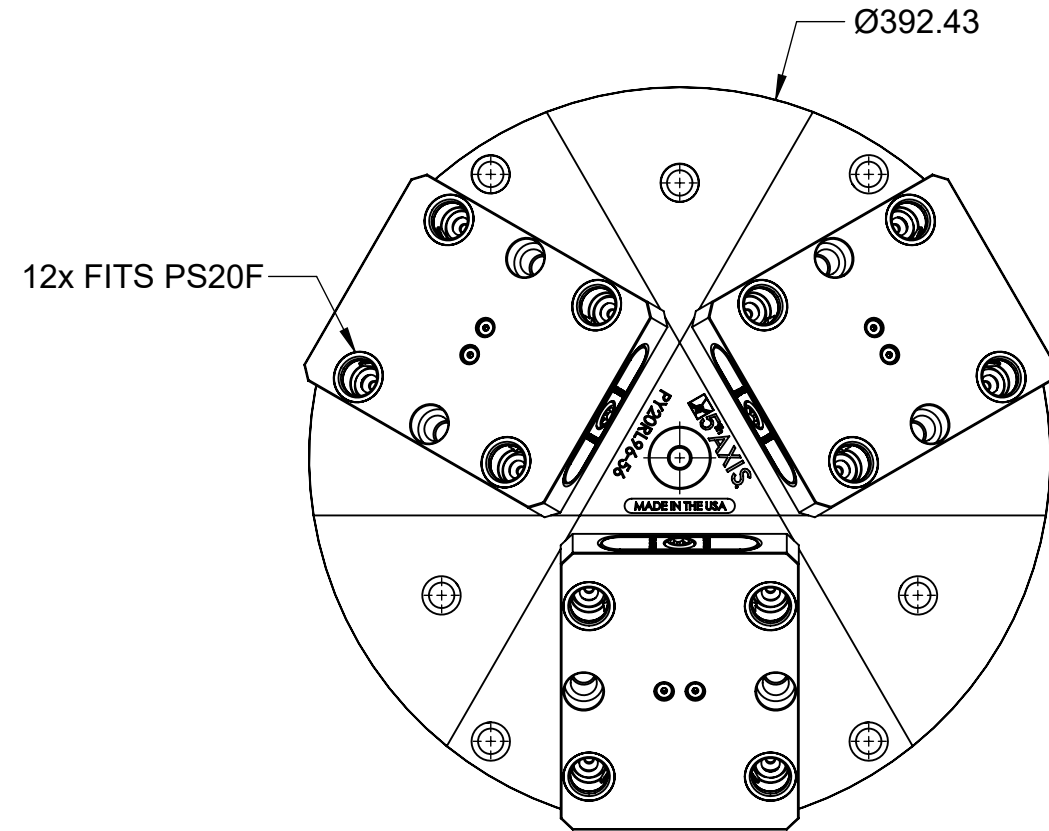
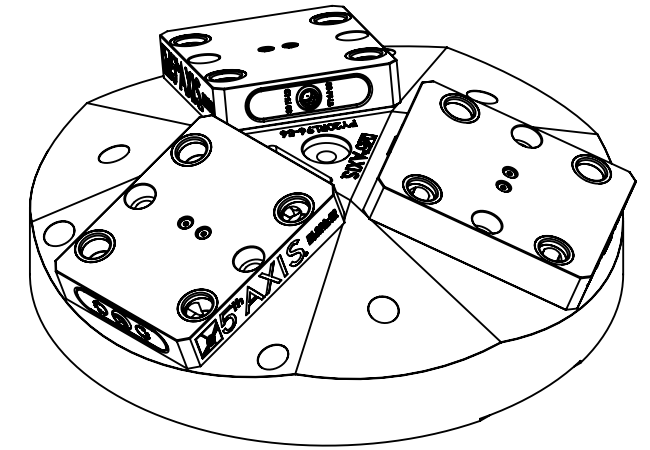

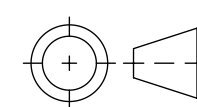


**MATERIAL:**  
**PY20RL96-56: 6061 ALUMINUM BODY**

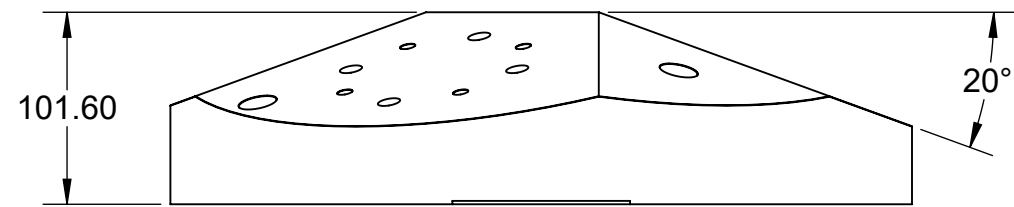
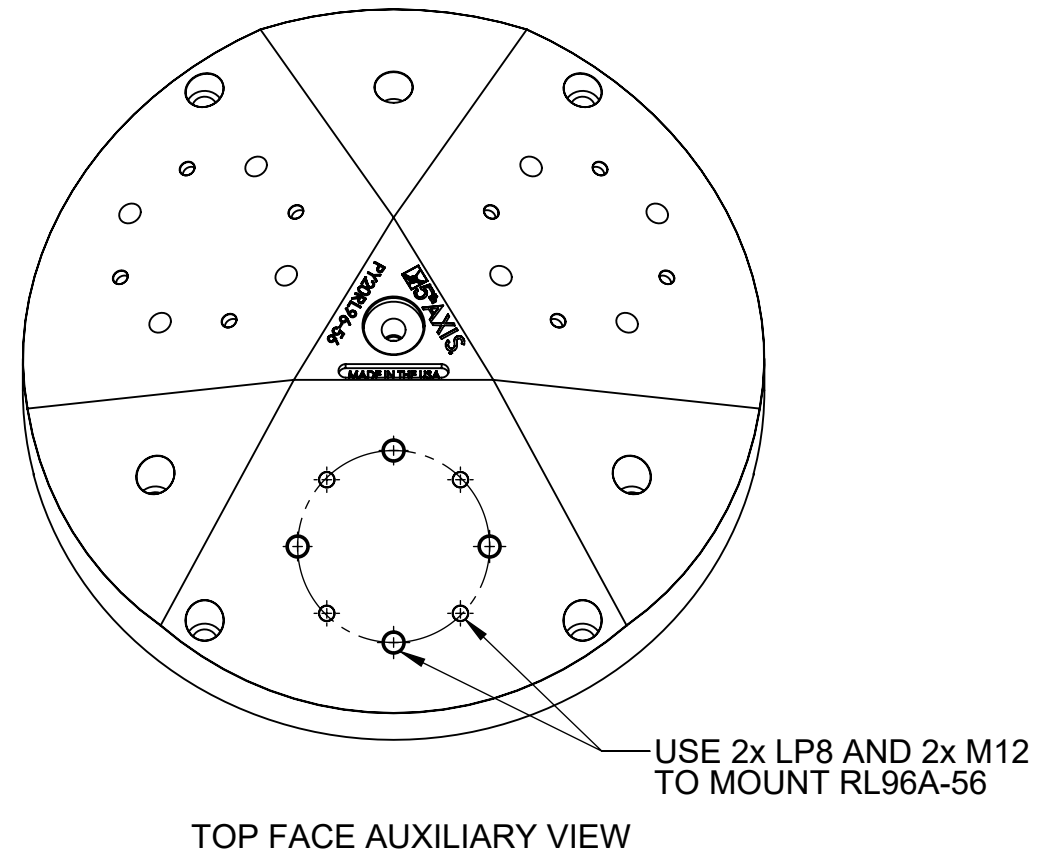
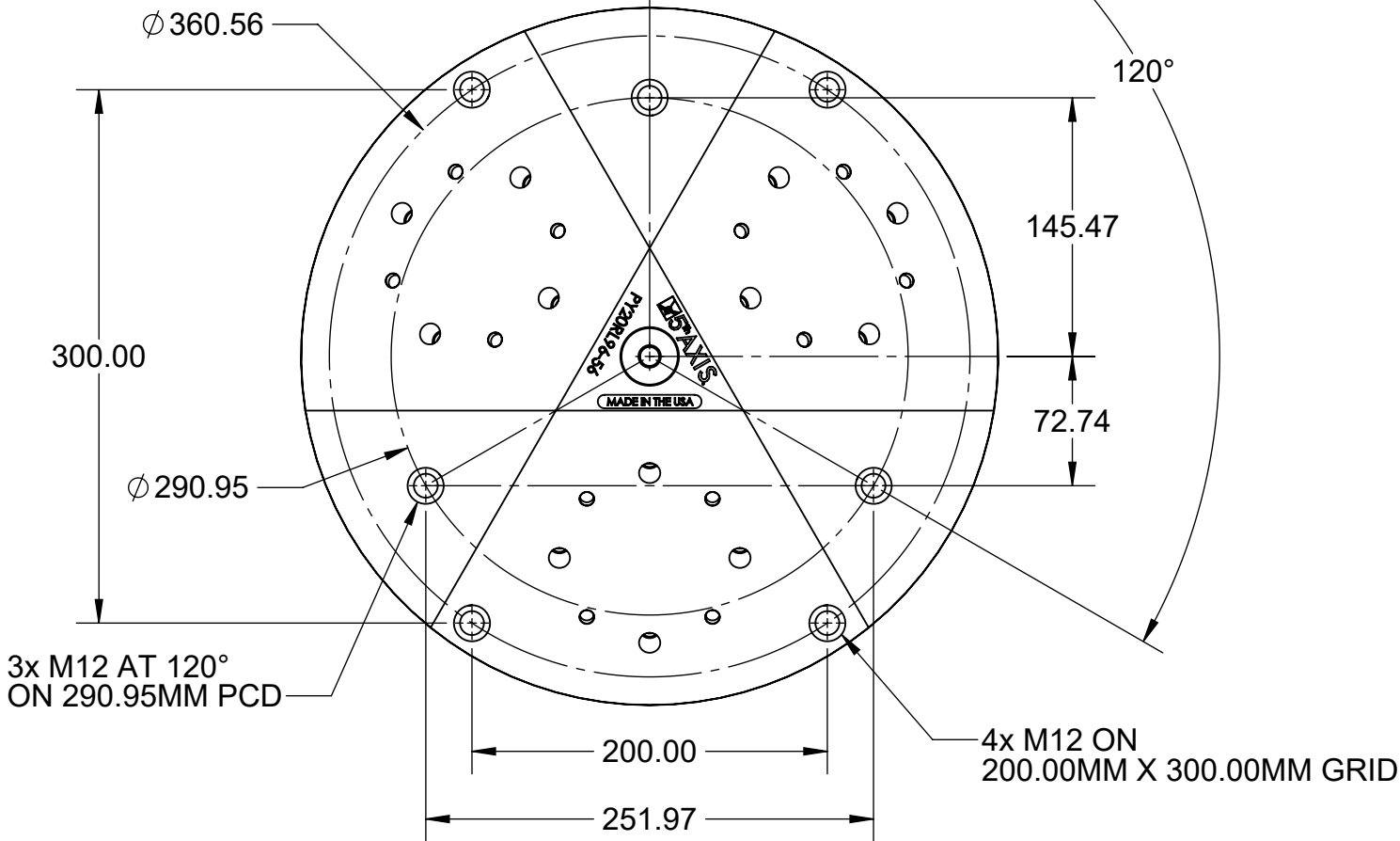
# PY20RL96-56


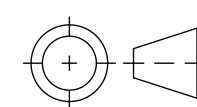


<b>MILLIMETER</b>		<b>TOLERANCES</b> UNLESS OTHERWISE SPECIFIED		 <b>ROCKLOCK™ THREE SIDED PYRAMID</b>	
DRAWN IN ACCORDANCE WITH ASME Y14.5-2009		x ± 0.1    .xx ± 0.01 .x ± 0.05    .xxx ± 0.005 ANGULAR ± 0.5° THIRD ANGLE PROJECTION			
WWW.5THAXIS.COM				DESCRIPTION	
7140 ENGINEER ROAD SAN DIEGO, CA 92111				SIZE	
P (858) 505-0432 F (858) 505-9344				<b>B</b> <b>PY20RL96-56</b> REV <b>A</b>	
		DO NOT SCALE DRAWING		SCALE 1:4	
		WEIGHT:		SHEET 1 OF 4	

**MATERIAL:**  
**PY20RL96-56: 6061 ALUMINUM BODY**

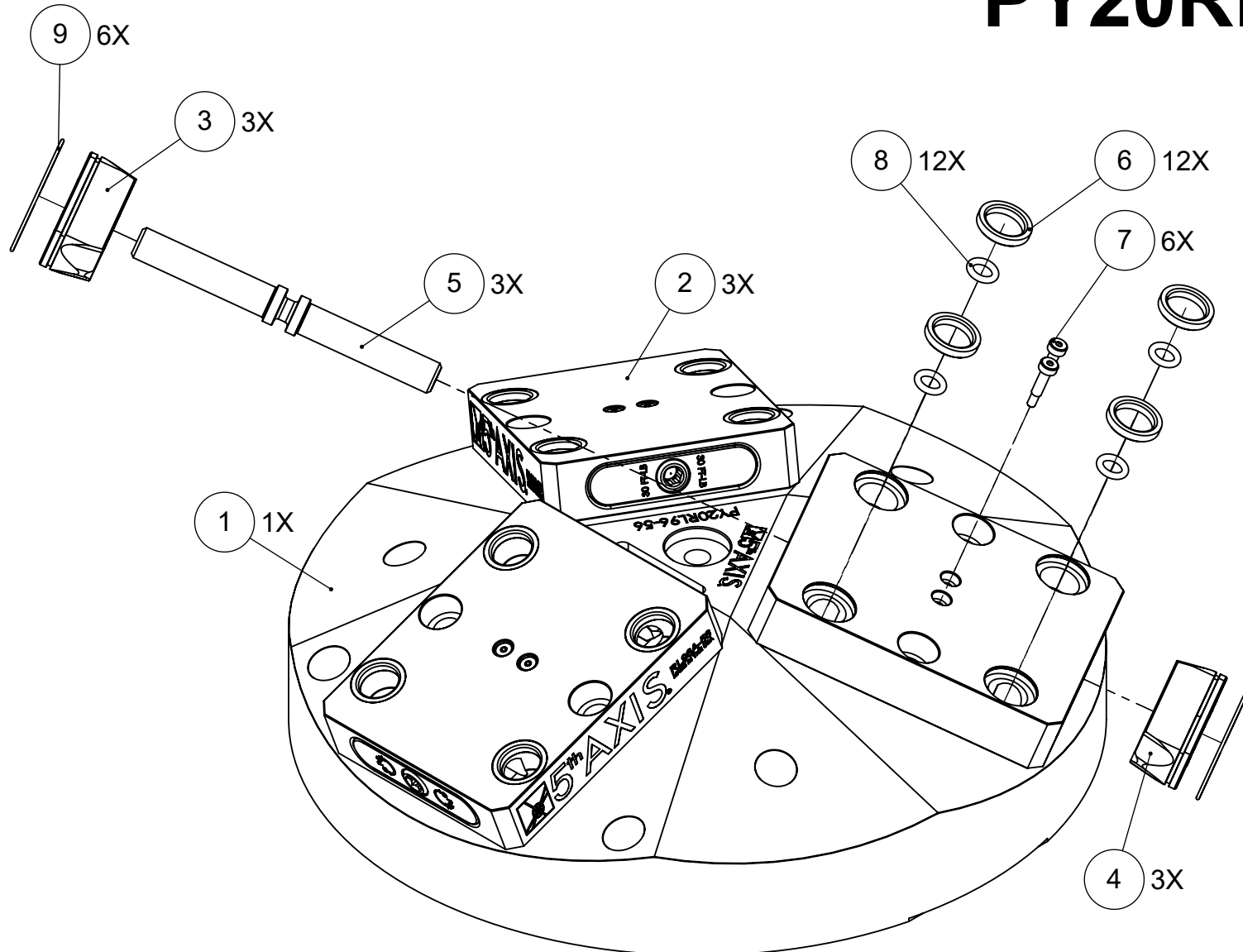
# PY20RL96-56



<b>MILLIMETER</b>		<b>TOLERANCES</b> UNLESS OTHERWISE SPECIFIED				
DRAWN IN ACCORDANCE WITH ASME Y14.5-2009		$x \pm 0.1$	$.xx \pm 0.01$			DESCRIPTION <b>ROCKLOCK™ THREE SIDED PYRAMID</b>
WWW.5THAXIS.COM		$.x \pm 0.05$	$.xxx \pm 0.005$	SIZE	PART NO.	
7140 ENGINEER ROAD SAN DIEGO, CA 92111		ANGULAR $\pm 0.5^\circ$		<b>B</b>	<b>PY20RL96-56</b>	REV <b>A</b>
P (858) 505-0432 F (858) 505-9344		THIRD ANGLE PROJECTION		DO NOT SCALE DRAWING		SHEET 2 OF 4
				SCALE 1:4	WEIGHT:	


**MATERIAL:**  
**PY20RL96-56: 6061 ALUMINUM BODY**

# PY20RL96-56



ITEM NO.	PART NUMBER	DESCRIPTION	QTY.
1	PY20RL96-56	V562 PYRAMID FIXTURE	1
2	RL96-156A	ROCKLOCK™ BASE	3
3	RL96-2L	LEFT ROCKLOCK™ TRUCK	3
4	RL96-2R	RIGHT ROCKLOCK™ TRUCK	3
5	RL96-3	ROCKLOCK™ LEAD SCREW	3
6	27X20.DB	PRECISION BUSHING	12
7	SB54	SHOULDER BOLT	6
8	9452K183	BASE O-RING	12
9	9452K121	TRUCK O-RING	6
10	9750K73	PLASTIC PLUG (NOT SHOWN)	12

**FOR REFERENCE ONLY - NOT FOR RESALE**

<b>MILLIMETER</b> <small>DRAWN IN ACCORDANCE WITH          ASME Y14.5-2009</small>  WWW.5THAXIS.COM  7140 ENGINEER ROAD SAN DIEGO, CA 92111  P (858) 505-0432 F (858) 505-9344	<b>TOLERANCES</b> <small>UNLESS OTHERWISE SPECIFIED</small> x ± 0.1    .xx ± 0.01 .x ± 0.05    .xxx ± 0.005 ANGULAR ± 0.5° THIRD ANGLE PROJECTION			
		<b>ROCKLOCK™ THREE SIDED PYRAMID</b>		
DESCRIPTION		SIZE <b>B</b>	PART NO. <b>PY20RL96-56</b>	REV <b>A</b>
DO NOT SCALE DRAWING		SCALE 1:3	WEIGHT:	SHEET 3 OF 4

8

7

6

5

4

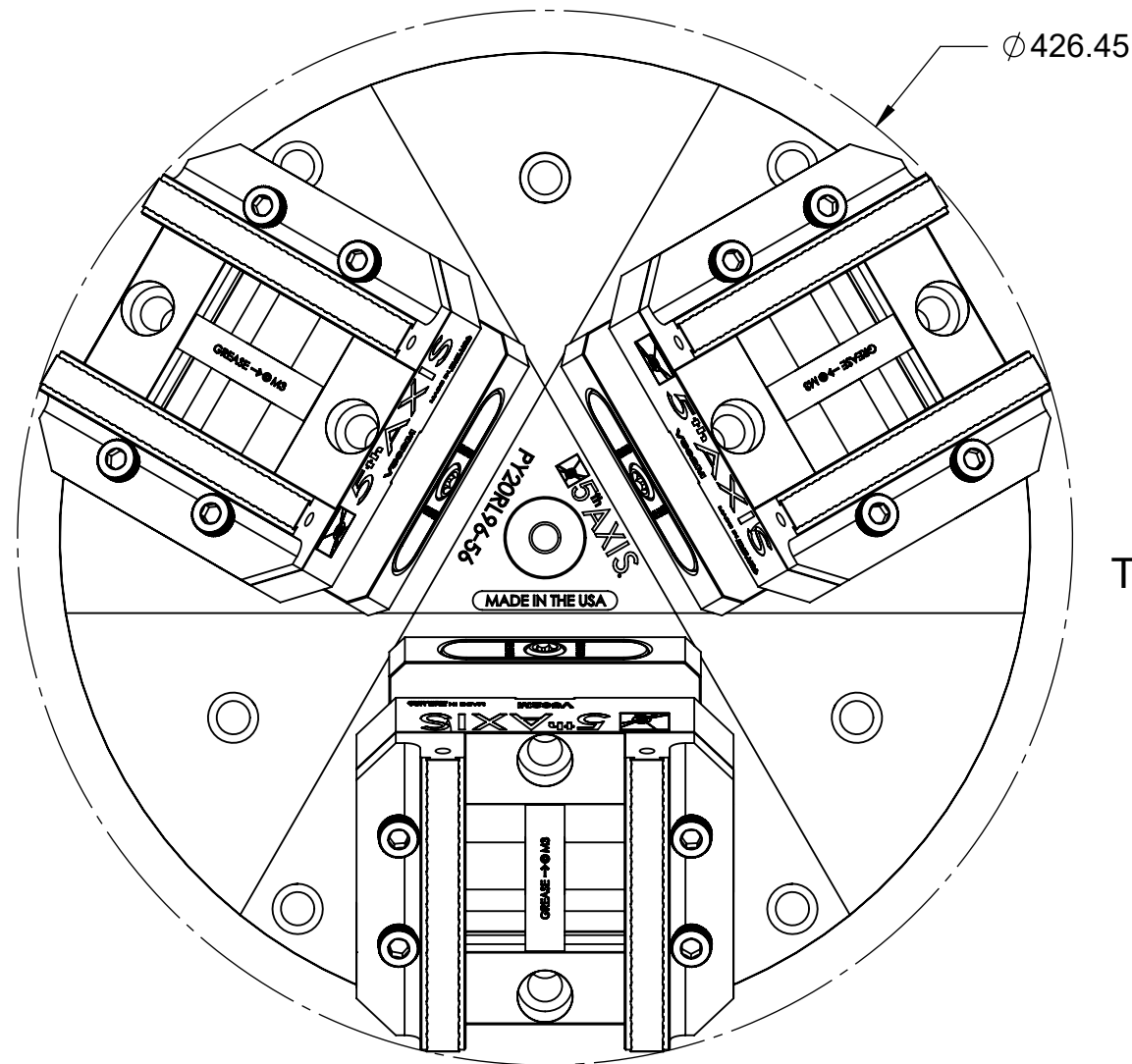
3

2


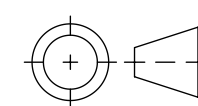
1

**MATERIAL:**  
**PY20RL96-56: 6061 ALUMINUM BODY**

# PY20RL96-56



TOP VIEW OF PY20RL96-56 WITH 3x V562M

<b>MILLIMETER</b>		<b>TOLERANCES</b> UNLESS OTHERWISE SPECIFIED			
DRAWN IN ACCORDANCE WITH ASME Y14.5-2009		x ± 0.1    .xx ± 0.01 .x ± 0.05    .xxx ± 0.005 ANGULAR ± 0.5° THIRD ANGLE PROJECTION			
WWW.5THAXIS.COM				DESCRIPTION <b>ROCKLOCK™ THREE SIDED PYRAMID</b>	
7140 ENGINEER ROAD SAN DIEGO, CA 92111				SIZE <b>B</b>	PART NO. <b>PY20RL96-56</b>
P (858) 505-0432 F (858) 505-9344		DO NOT SCALE DRAWING		SCALE 1:3	WEIGHT:
				SHEET 4 OF 4	

8

7

6

5

4

3

2

1

D

D

C

C

B

B

A

A