

8

7

6

5

4

3

2

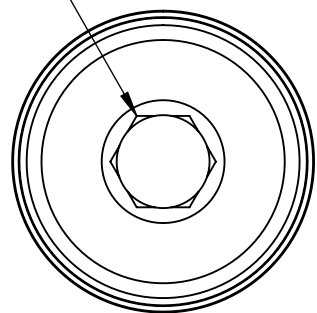
1

D

D

PS20F

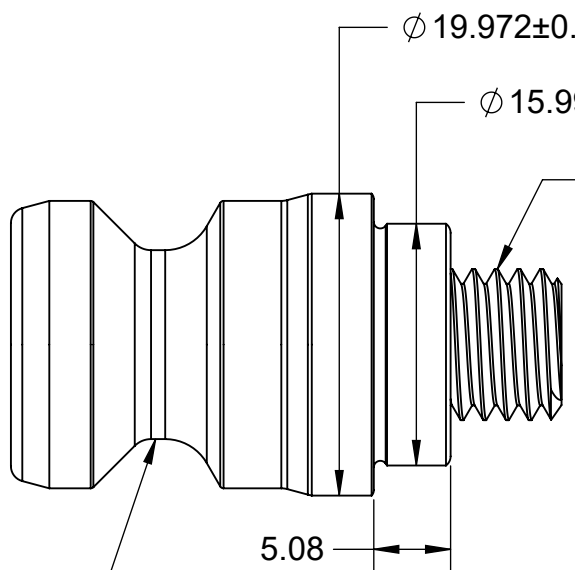
6MM HEX



$\phi 19.972 \pm 0.005$

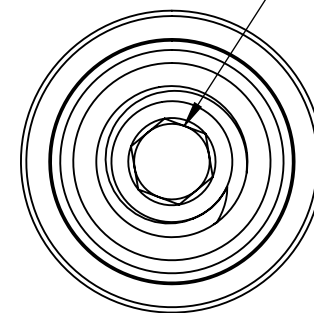
$\phi 15.992 \pm 0.005$

M10X1.5X25MM
CUP POINT SET SCREW



5.08

5MM HEX



INTERFACES WITH
5TH AXIS ROCKLOCK SYSTEM

IS ALSO COMPATIBLE WITH
LANG 96MM TOP TOOLING AND
JERGENS 96MM TOP TOOLING

C


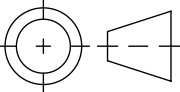
C

B

B

A

A

MILLIMETER		TOLERANCES UNLESS OTHERWISE SPECIFIED			
DRAWN IN ACCORDANCE WITH ASME Y14.5-2009		x ± 0.1 .xx ± 0.01 .x ± 0.05 .xxx ± 0.005 ANGULAR ± 0.5° THIRD ANGLE PROJECTION			
WWW.5THAXIS.COM				DESCRIPTION ROCKLOCK INTERFACING PIN	
7140 ENGINEER ROAD SAN DIEGO, CA 92111				SIZE B	PART NO. PS20F
P (858) 505-0432 F (858) 505-9344		DO NOT SCALE DRAWING		SCALE 2:1	WEIGHT:
				SHEET 1 OF 1	

8

7

6

5

4

3

2

1