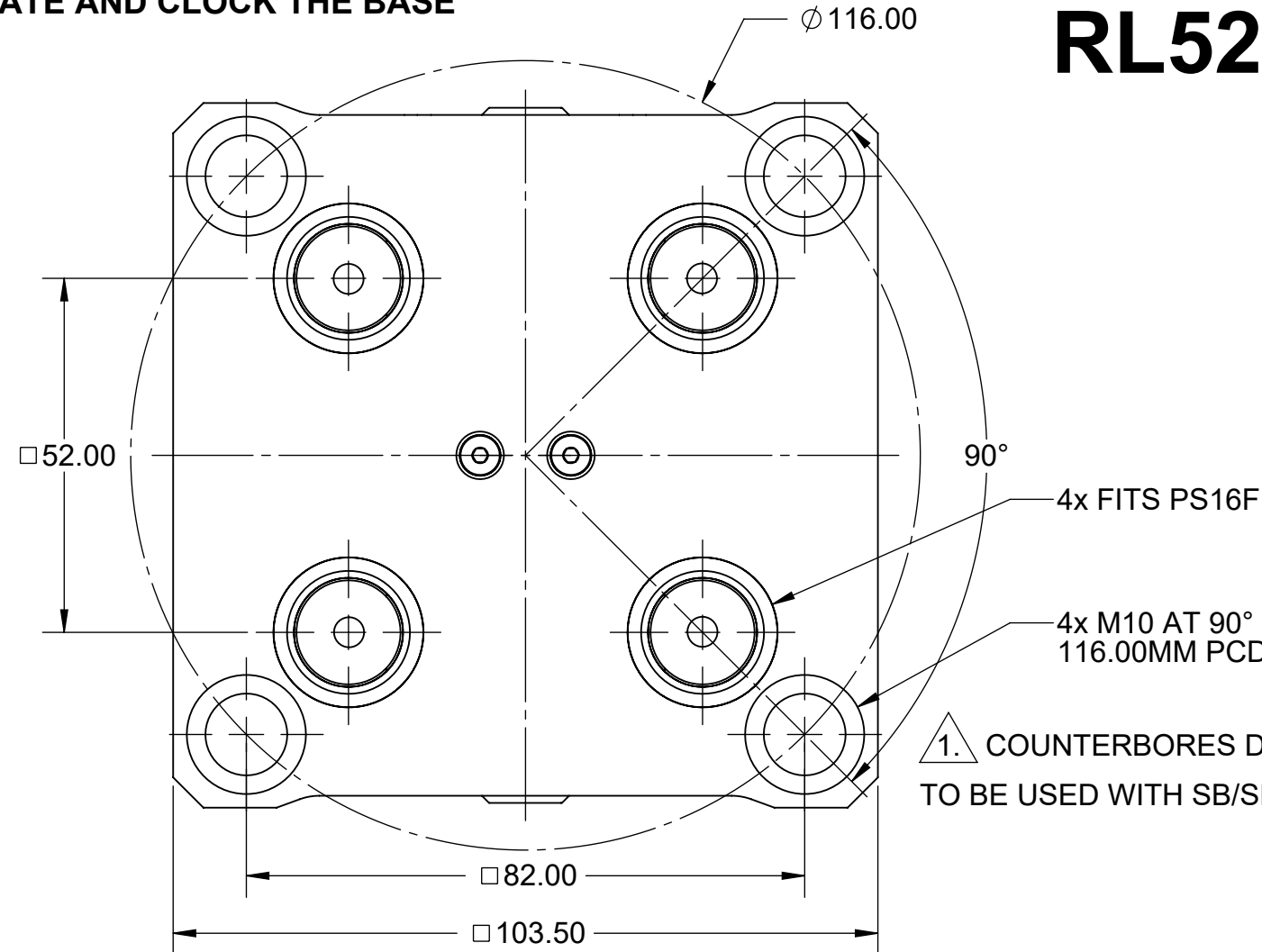
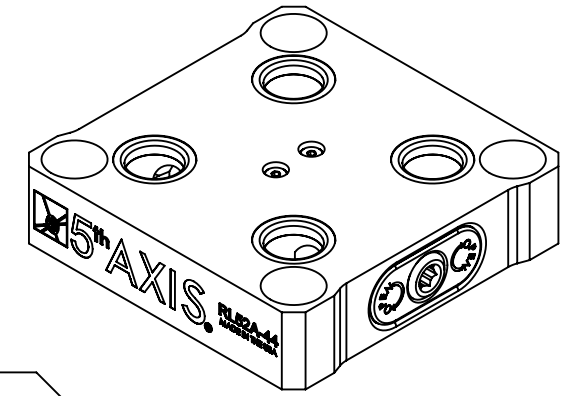


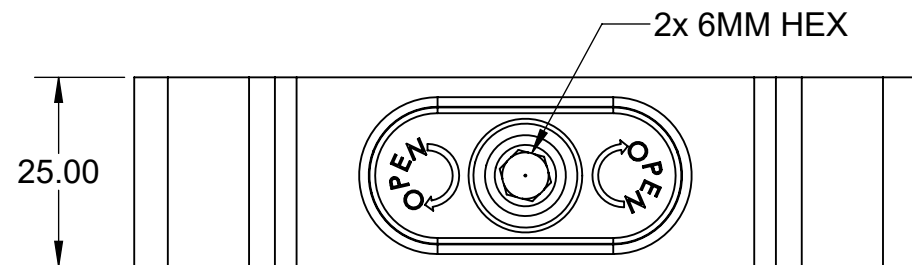
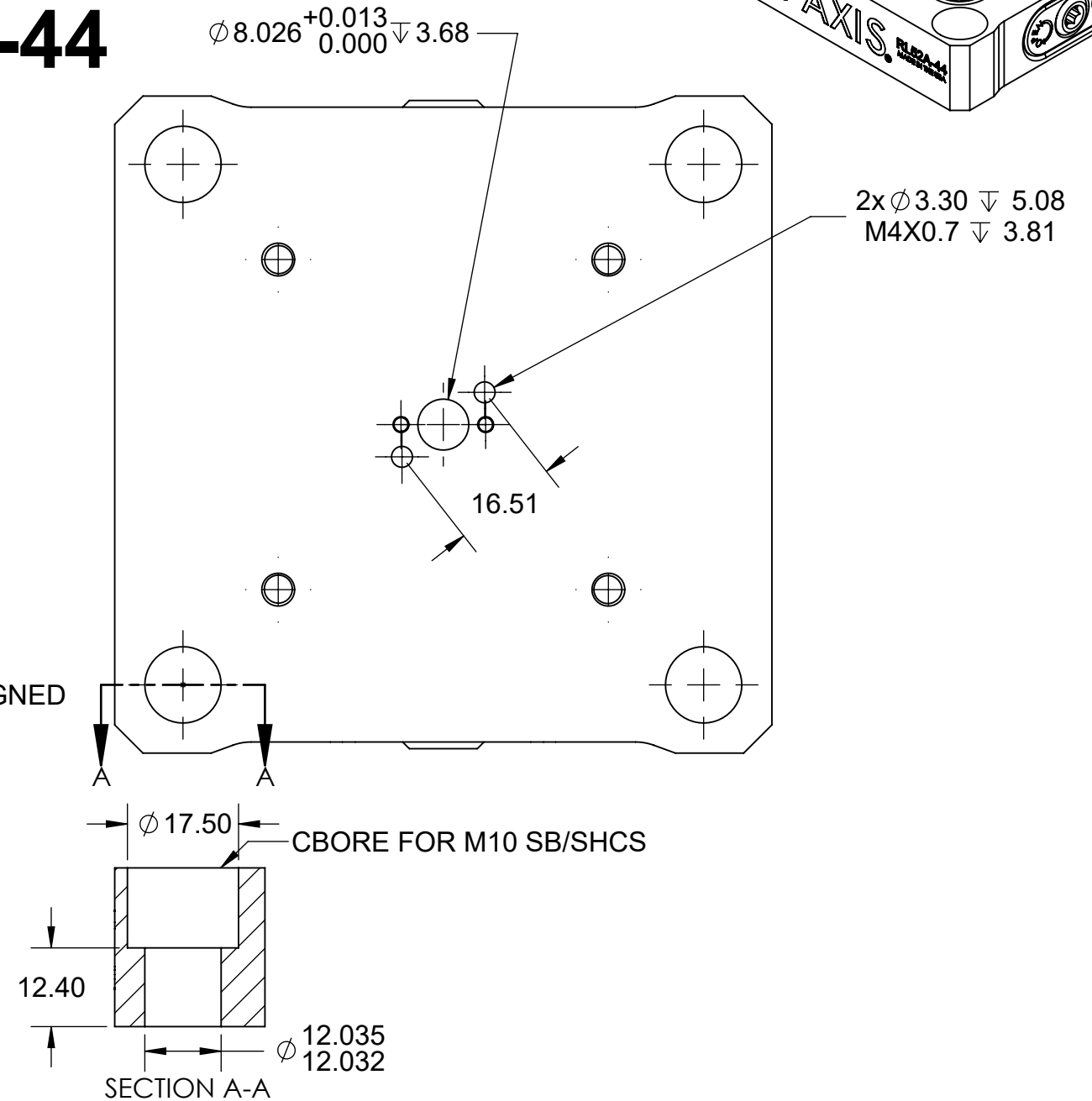
MATERIAL:
RL52A-44: 6061 ALUMINUM BODY
RL52S-44: 1018 STEEL BODY

1. USE TWO SHOULDER BOLTS TO LOCATE AND CLOCK THE BASE

RL52A-44 RL52S-44



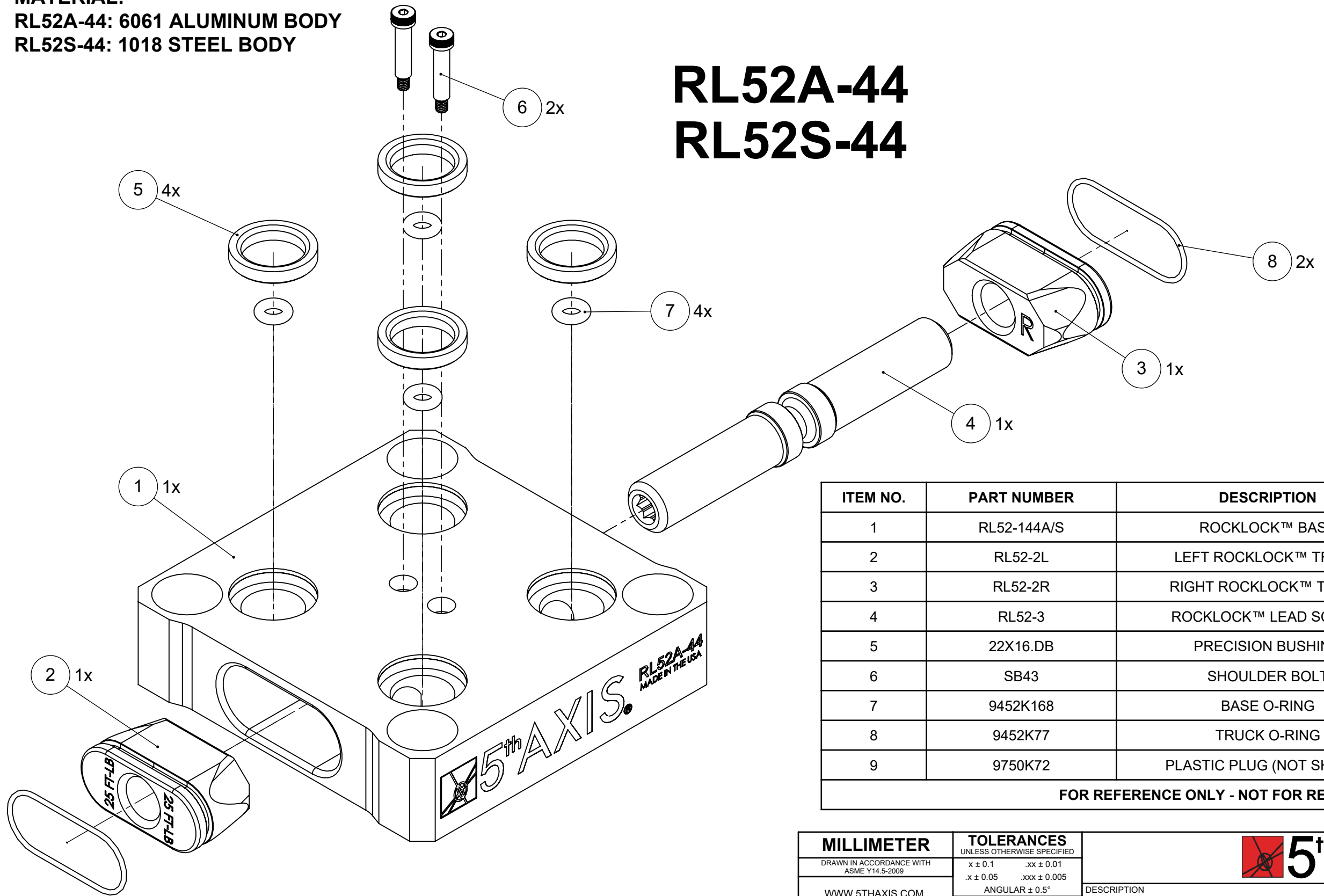
1. COUNTERBORES DESIGNED TO BE USED WITH SB/SHCS



MILLIMETER <small>DRAWN IN ACCORDANCE WITH ASME Y14.5-2009</small> WWW.5THAXIS.COM 7140 ENGINEER ROAD SAN DIEGO, CA 92111 P (858) 505-0432 F (858) 505-9344	TOLERANCES <small>UNLESS OTHERWISE SPECIFIED</small> x ± 0.1 .xx ± 0.01 .x ± 0.05 .xxx ± 0.005 ANGULAR ± 0.5° <small>THIRD ANGLE PROJECTION</small>			
	DESCRIPTION ROCKLOCK™ 52MM LOW-PROFILE BASE	SIZE B	PART NO. RL52A-44 / RL52S-44	REV A
DO NOT SCALE DRAWING		SCALE 1:1	WEIGHT: .9 KG / 1.7 KG	SHEET 1 OF 2

MATERIAL:
 RL52A-44: 6061 ALUMINUM BODY
 RL52S-44: 1018 STEEL BODY

RL52A-44 RL52S-44



ITEM NO.	PART NUMBER	DESCRIPTION	QTY.
1	RL52-144A/S	ROCKLOCK™ BASE	1
2	RL52-2L	LEFT ROCKLOCK™ TRUCK	1
3	RL52-2R	RIGHT ROCKLOCK™ TRUCK	1
4	RL52-3	ROCKLOCK™ LEAD SCREW	1
5	22X16.DB	PRECISION BUSHING	4
6	SB43	SHOULDER BOLT	2
7	9452K168	BASE O-RING	4
8	9452K77	TRUCK O-RING	2
9	9750K72	PLASTIC PLUG (NOT SHOWN)	4

FOR REFERENCE ONLY - NOT FOR RESALE

MILLIMETER <small>DRAWN IN ACCORDANCE WITH ASME Y14.5-2009</small> WWW.5THAXIS.COM 7140 ENGINEER ROAD SAN DIEGO, CA 92111 P (858) 505-0432 F (858) 505-9344	TOLERANCES <small>UNLESS OTHERWISE SPECIFIED</small> x ± 0.1 .xx ± 0.01 .x ± 0.05 .xxx ± 0.005 ANGULAR ± 0.5° THIRD ANGLE PROJECTION			
		DESCRIPTION ROCKLOCK™ 52MM LOW-PROFILE BASE		
		SIZE B	PART NO. RL52A-44 / RL52S-44	REV A
DO NOT SCALE DRAWING		SCALE 1:1	WEIGHT: .9 KG / 1.7 KG	SHEET 2 OF 2