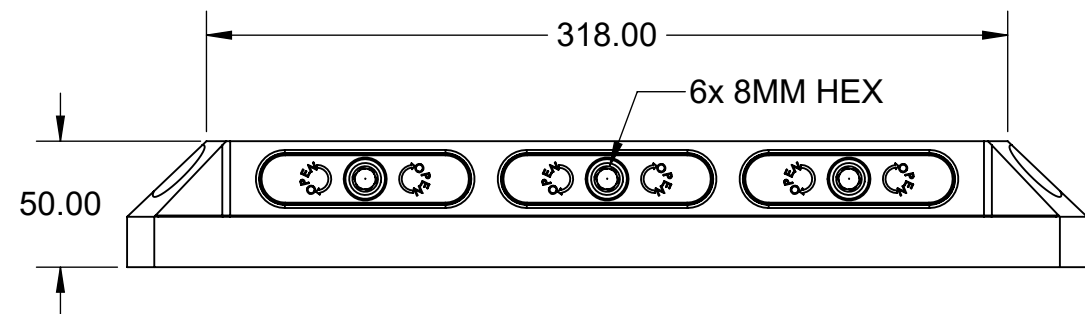
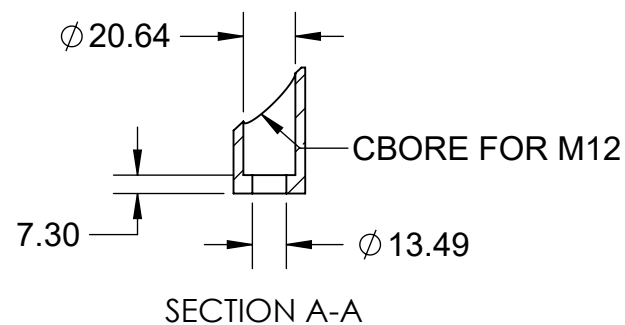
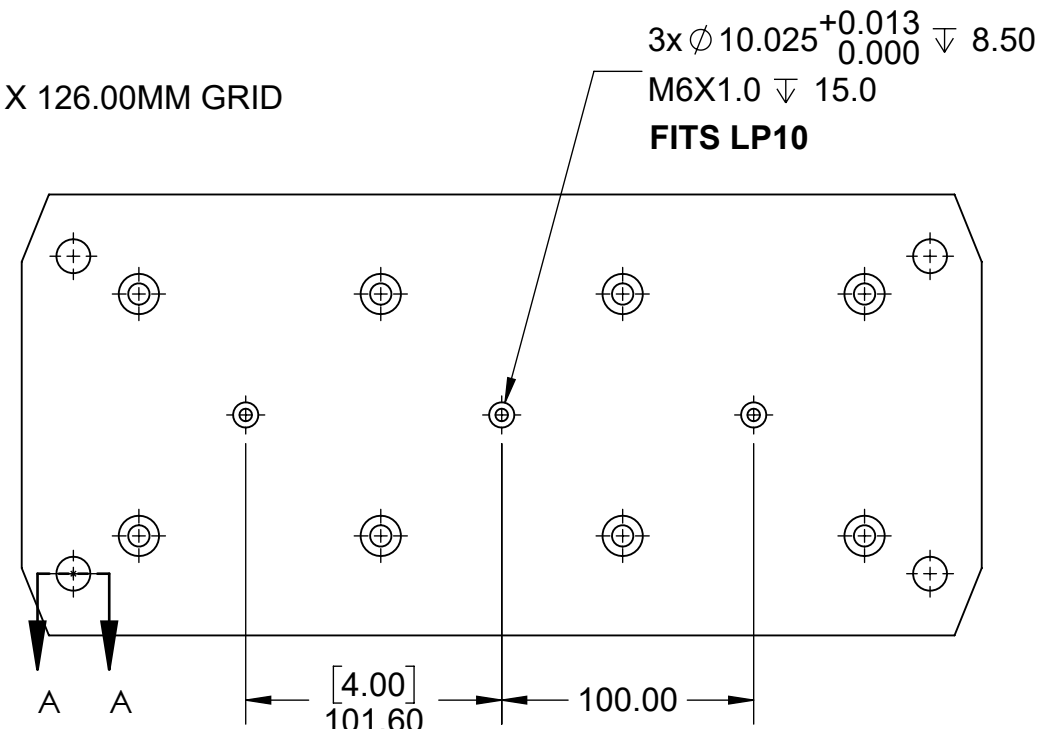
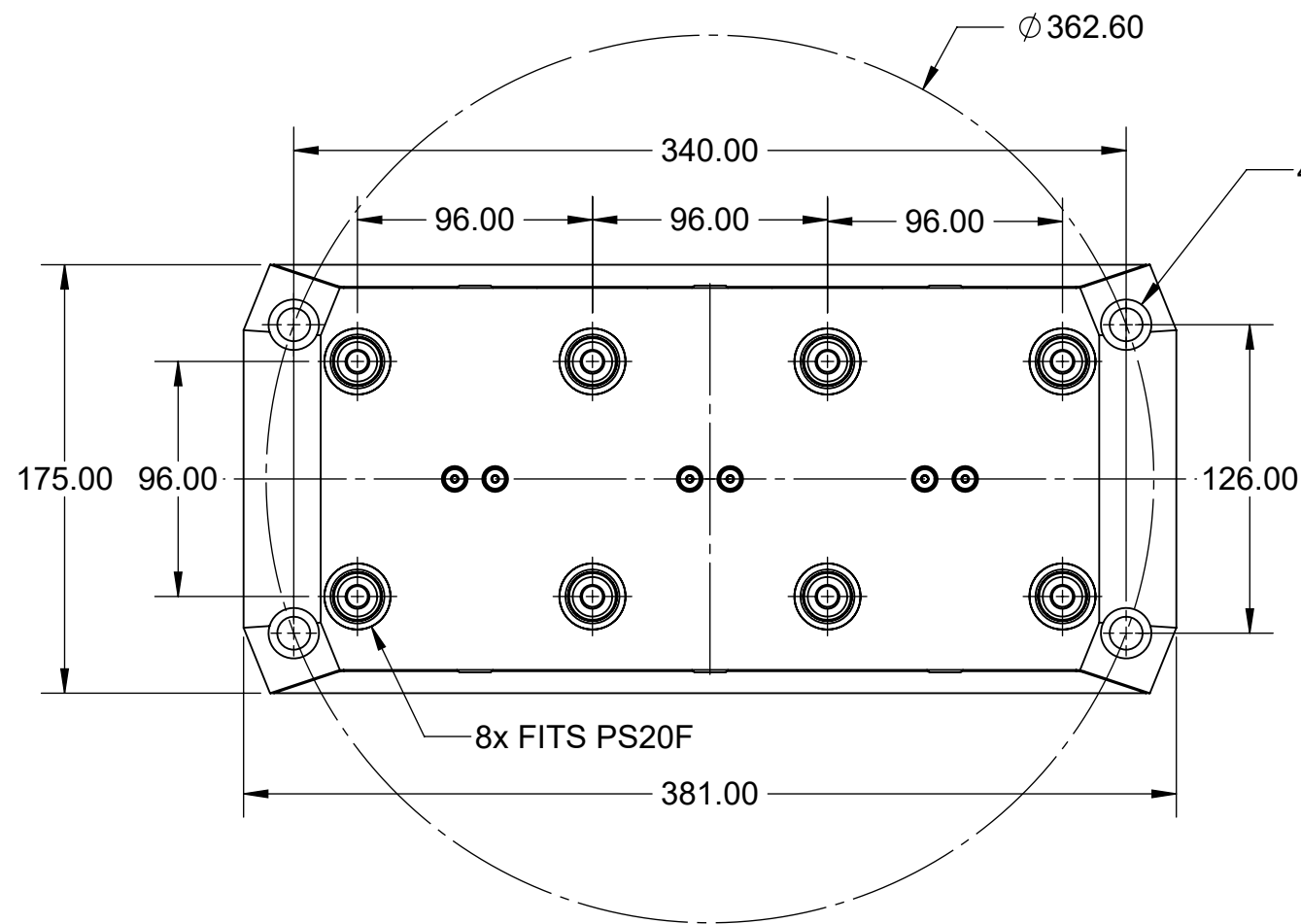
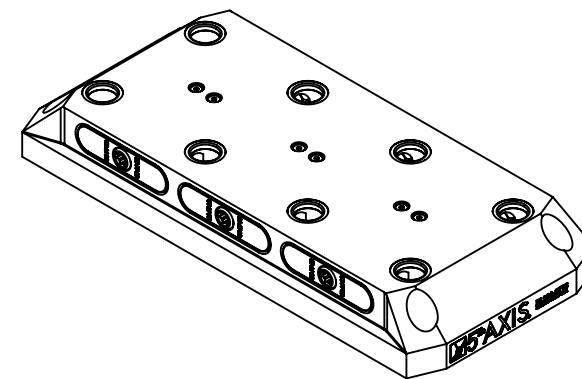



MATERIAL:
RL96A-2715: 6061 ALUMINUM BODY

RL96A-2715



MILLIMETER		TOLERANCES UNLESS OTHERWISE SPECIFIED			
DRAWN IN ACCORDANCE WITH ASME Y14.5-2009		x ± 0.1 .xx ± 0.01 .x ± 0.05 .xxx ± 0.005 ANGULAR ± 0.5° THIRD ANGLE PROJECTION			
WWW.5THAXIS.COM		THIRD ANGLE PROJECTION		DESCRIPTION ROCKLOCK™ 96MM MULTI-POSITION RISER	
7140 ENGINEER ROAD SAN DIEGO, CA 92111		SIZE B	PART NO. RL96A-2715	REV A	
P (858) 505-0432 F (858) 505-9344		DO NOT SCALE DRAWING		SCALE 1:3	WEIGHT:
				SHEET 1 OF 2	

8

7

6

5

4

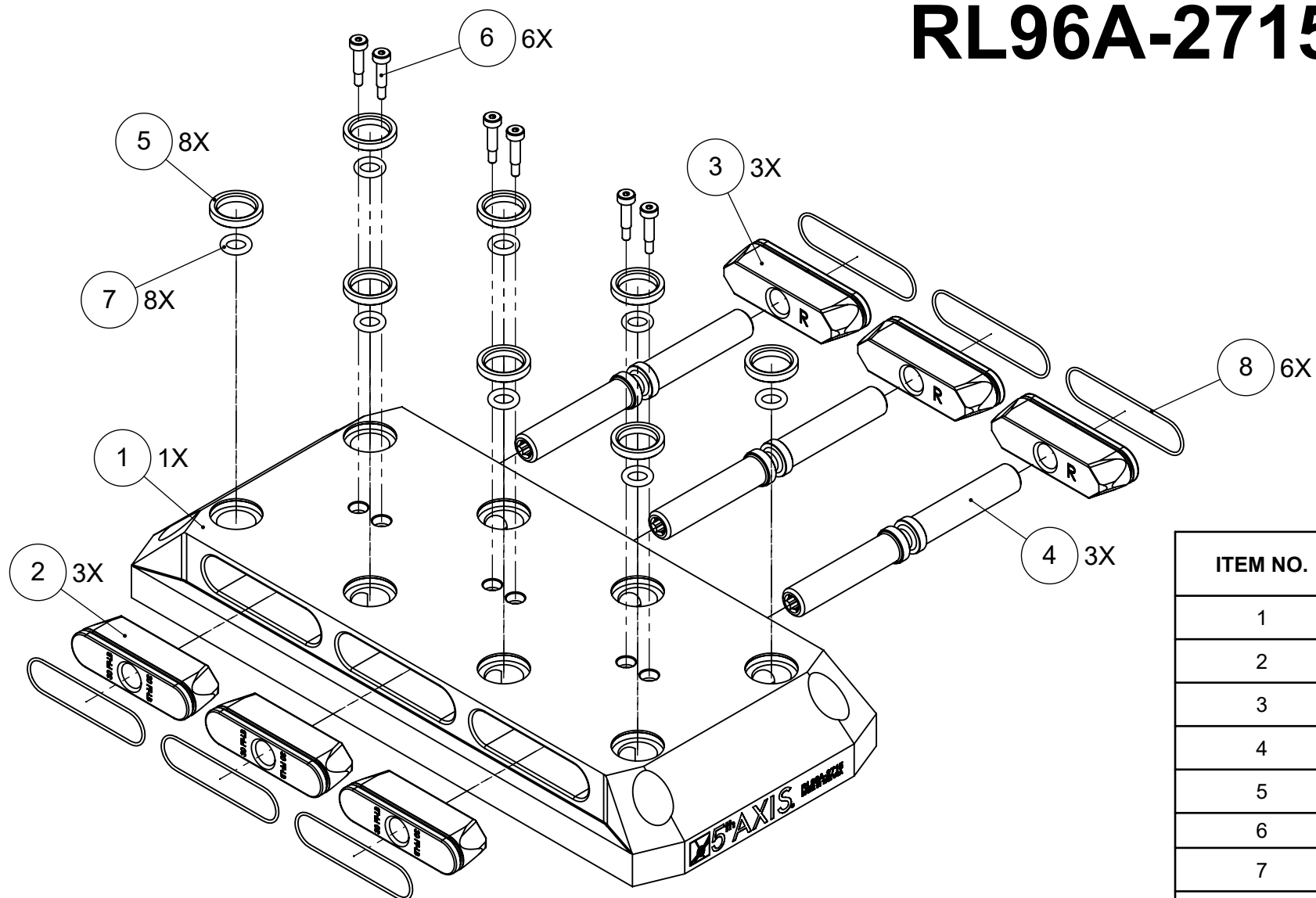
3

2

1

MATERIAL:
RL96A-2715: 6061 ALUMINUM BODY

RL96A-2715



ITEM NO.	PART NUMBER	DESCRIPTION	QTY.
1	RL96-12715A	ROCKLOCK™ BASE	1
2	RL96-2L	LEFT ROCKLOCK™ TRUCK	3
3	RL96-2R	RIGHT ROCKLOCK™ TRUCK	3
4	RL96-3	ROCKLOCK™ LEAD SCREW	3
5	27X20.DB	PRECISION BUSHING	8
6	SB54	SHOULDER BOLT	6
7	9452K183	BASE O-RING	8
8	9452K121	TRUCK O-RING	6
9	9750K73	PLASTIC PLUG (NOT SHOWN)	8

FOR REFERENCE ONLY - NOT FOR RESALE

MILLIMETER

DRAWN IN ACCORDANCE WITH
ASME Y14.5-2009

WWW.5THAXIS.COM

7140 ENGINEER ROAD
SAN DIEGO, CA 92111

P (858) 505-0432
F (858) 505-9344

TOLERANCES

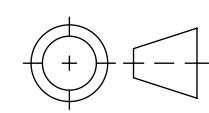
UNLESS OTHERWISE SPECIFIED

x ± 0.1 .xx ± 0.01

.x ± 0.05 .xxx ± 0.005

ANGULAR ± 0.5°

THIRD ANGLE PROJECTION



DESCRIPTION
ROCKLOCK™ 96MM MULTI-POSITION RISER

SIZE B	PART NO. RL96A-2715	REV A
------------------	-------------------------------	-----------------

DO NOT SCALE DRAWING	SCALE 1:3	WEIGHT:	SHEET 2 OF 2
----------------------	-----------	---------	--------------

8

7

6

5

4

3

2

1