

8

7

6

5

4

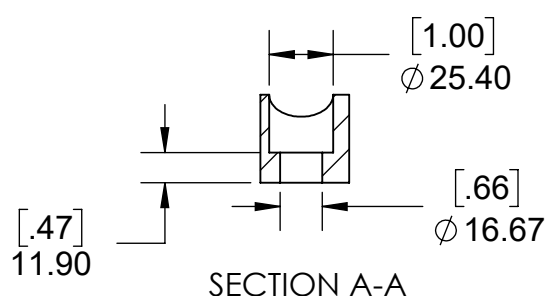
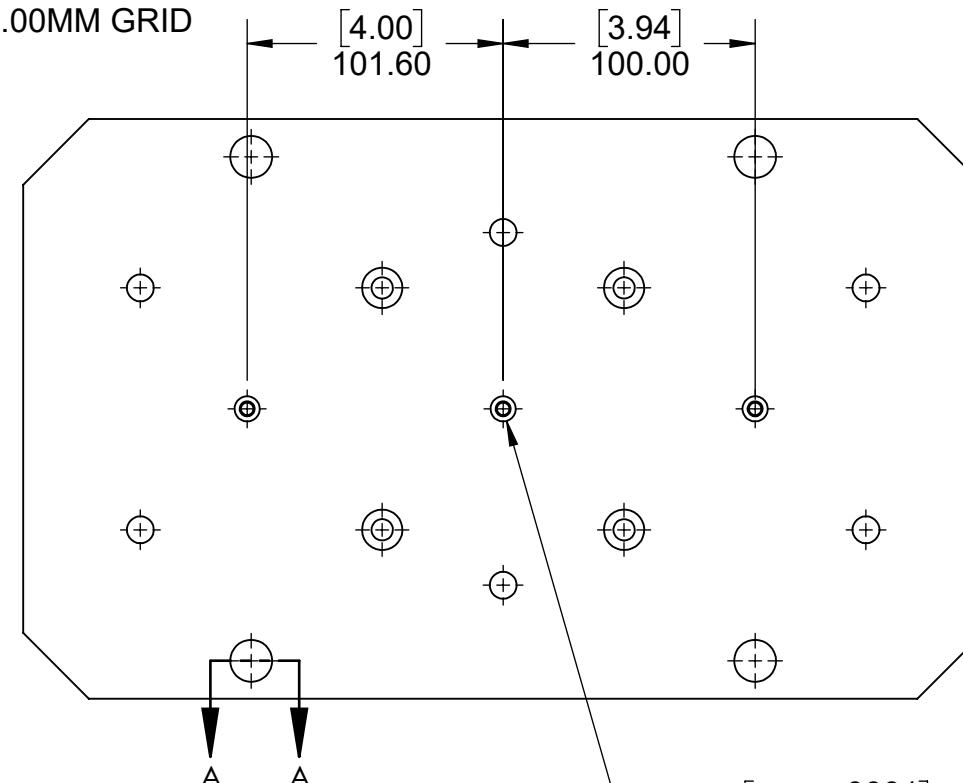
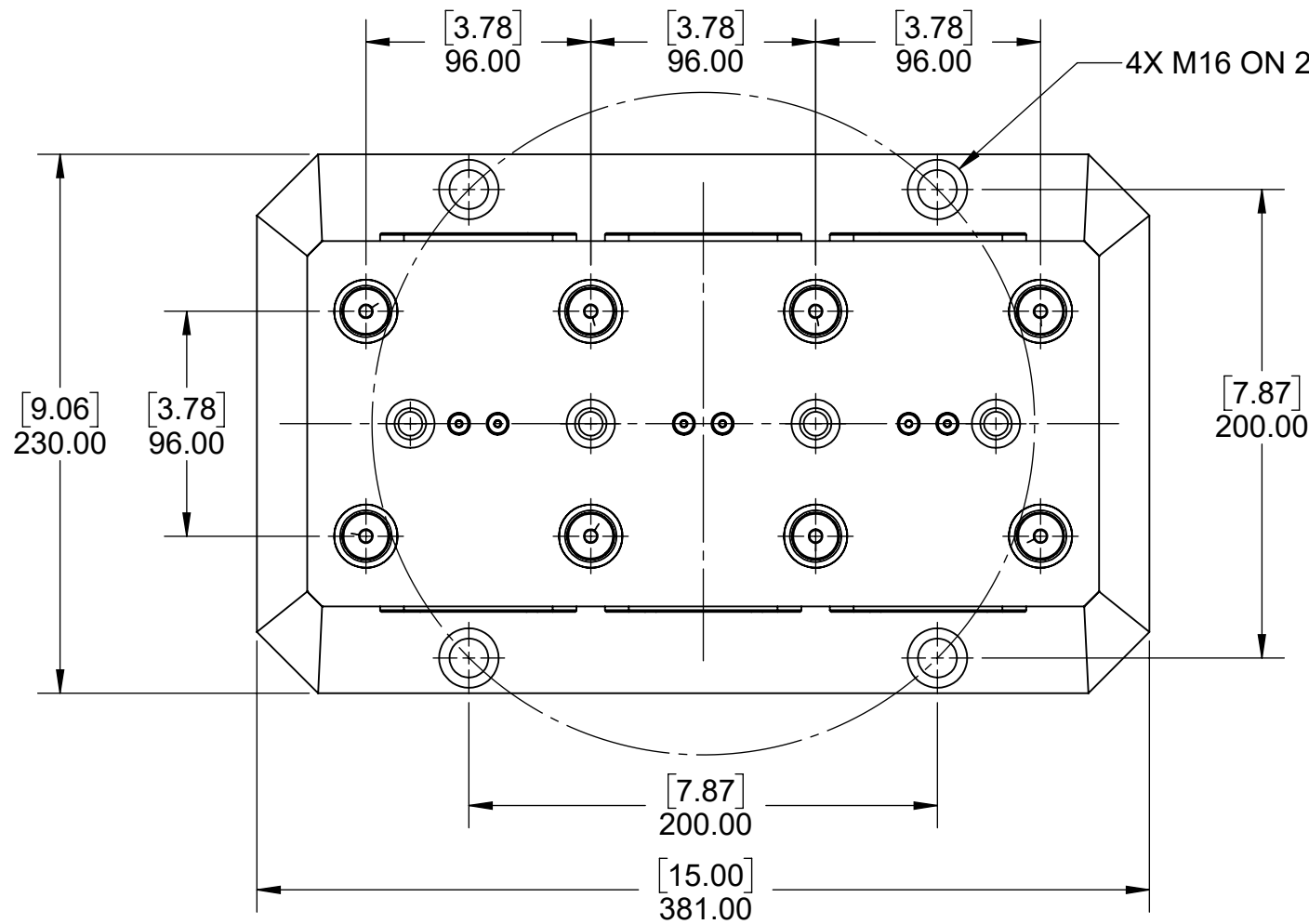
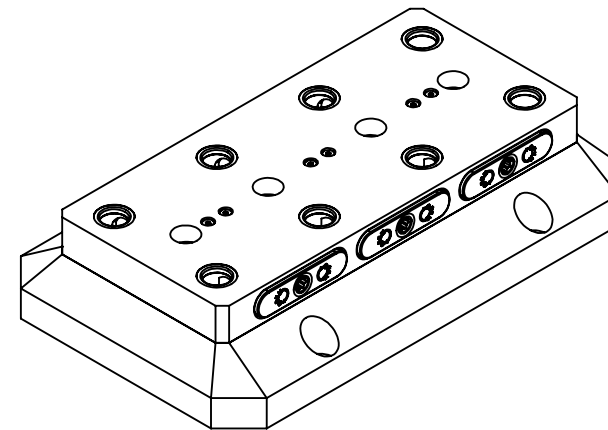
3

2

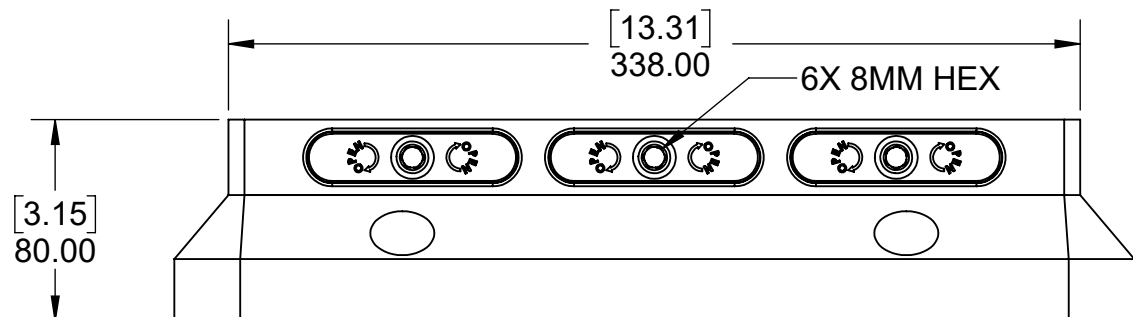
1

MATERIAL:
RL96A-3915: 6061 ALUMINUM BODY

RL96A-3915



[.395^{+0.0001}_{-.0000}]
 ϕ 10.0254^{+0.0013}_{0.0000} ∇ 8.89 [0.35]
 M6X1.0 ∇ 15.75 [0.62]
 FITS LP10



MILLIMETER <small>DRAWN IN ACCORDANCE WITH ASME Y14.5-2009</small> <small>WWW.5THAXIS.COM</small> <small>7140 ENGINEER ROAD SAN DIEGO, CA 92111</small> <small>P (858) 505-0432 F (858) 505-9344</small>	TOLERANCES <small>UNLESS OTHERWISE SPECIFIED</small> x \pm 0.1 .xx \pm 0.01 .x \pm 0.05 .xxx \pm 0.005 ANGULAR \pm 0.5° THIRD ANGLE PROJECTION			
	DESCRIPTION ROCKLOCK™ 96MM MULTI-POSITION RISER	SIZE B	PART NO. RL96A-3915	REV A
DO NOT SCALE DRAWING		SCALE 1:1	WEIGHT:	SHEET 1 OF 1

8

7

6

5

4

3

2

1

D

D

C

C

B

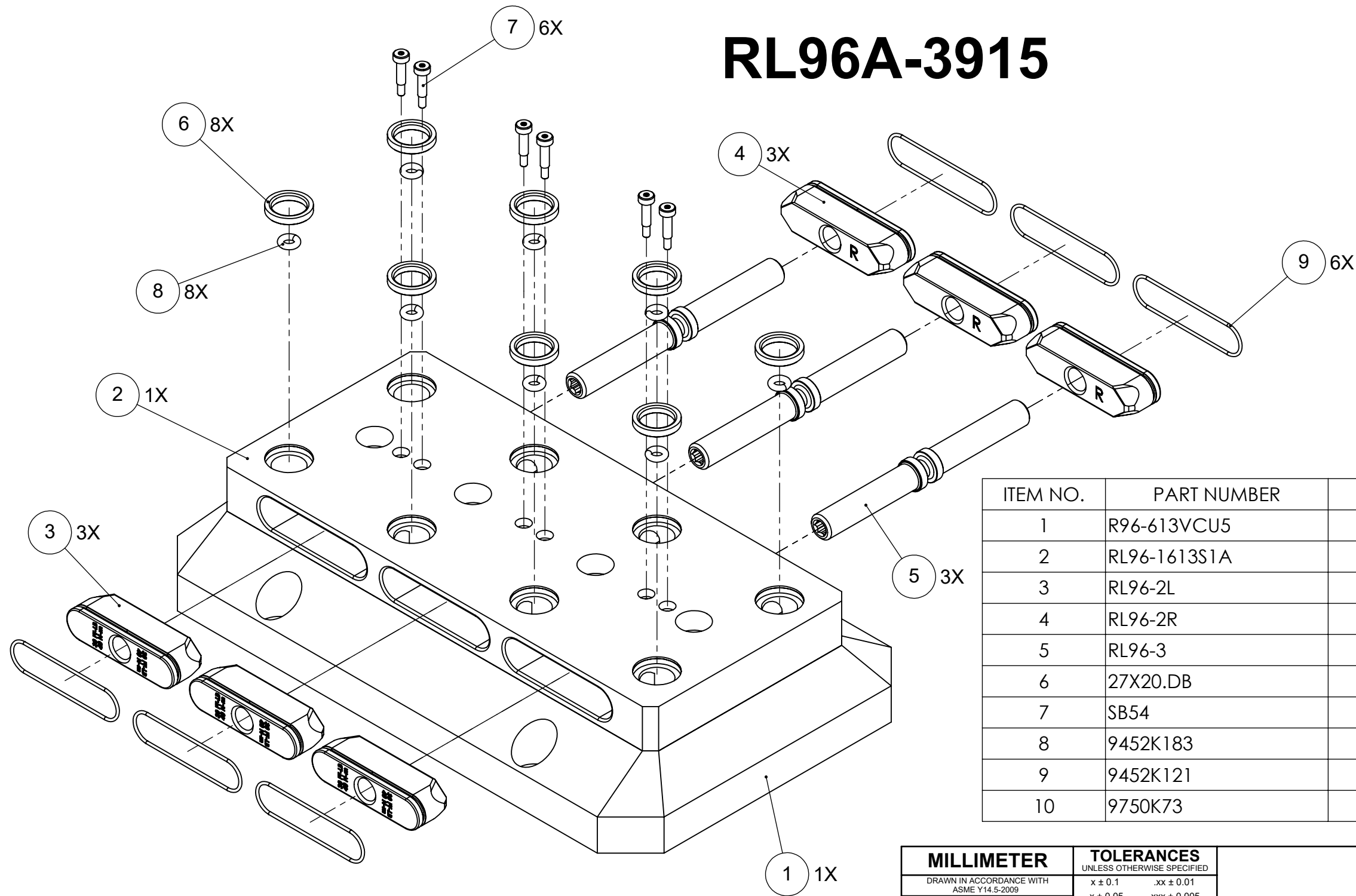
B

A

A

MATERIAL:
RL96A-3915: 6061 ALUMINUM BODY

RL96A-3915



ITEM NO.	PART NUMBER	DESCRIPTION	QTY.
1	R96-613VCU5	ROCKLOCK™ RISER	1
2	RL96-1613S1A	ROCKLOCK™ BASE	1
3	RL96-2L	LEFT ROCKLOCK™ TRUCK	3
4	RL96-2R	RIGHT ROCKLOCK™ TRUCK	3
5	RL96-3	ROCKLOCK™ LEAD SCREW	3
6	27X20.DB	PRECISION BUSHING	8
7	SB54	SHOULDER BOLT	6
8	9452K183	BASE O-RING	8
9	9452K121	TRUCK O-RING	6
10	9750K73	PLASTIC PLUG (NOT SHOWN)	8

MILLIMETER

DRAWN IN ACCORDANCE WITH
 ASME Y14.5-2009

WWW.5THAXIS.COM

7140 ENGINEER ROAD
 SAN DIEGO, CA 92111

P (858) 505-0432
 F (858) 505-9344

TOLERANCES

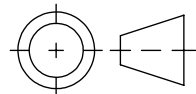
UNLESS OTHERWISE SPECIFIED

x ± 0.1 .xx ± 0.01

.x ± 0.05 .xxx ± 0.005

ANGULAR ± 0.5°

THIRD ANGLE PROJECTION



DESCRIPTION
ROCKLOCK™ 96MM MULTI-POSITION RISER

SIZE **B** PART NO. **RL96A-3915** REV **A**

DO NOT SCALE DRAWING SCALE 1:1 WEIGHT: SHEET 1 OF 1