

8

7

6

5

4

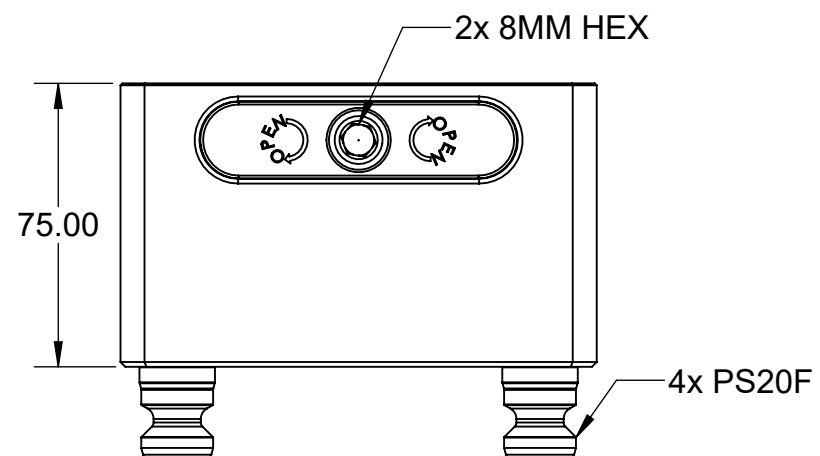
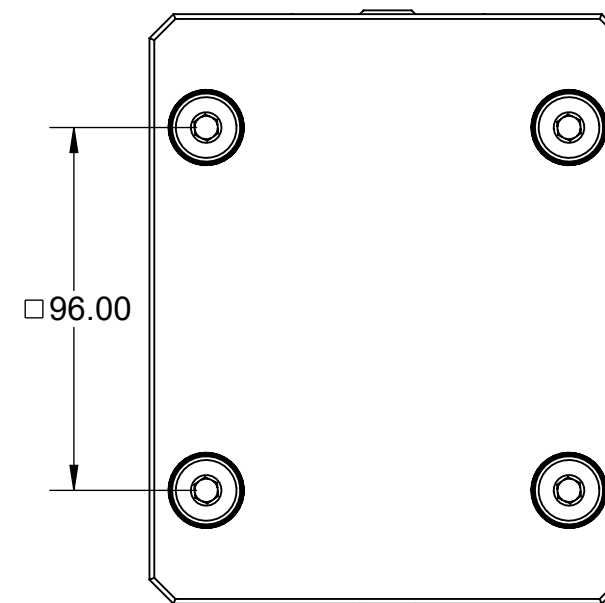
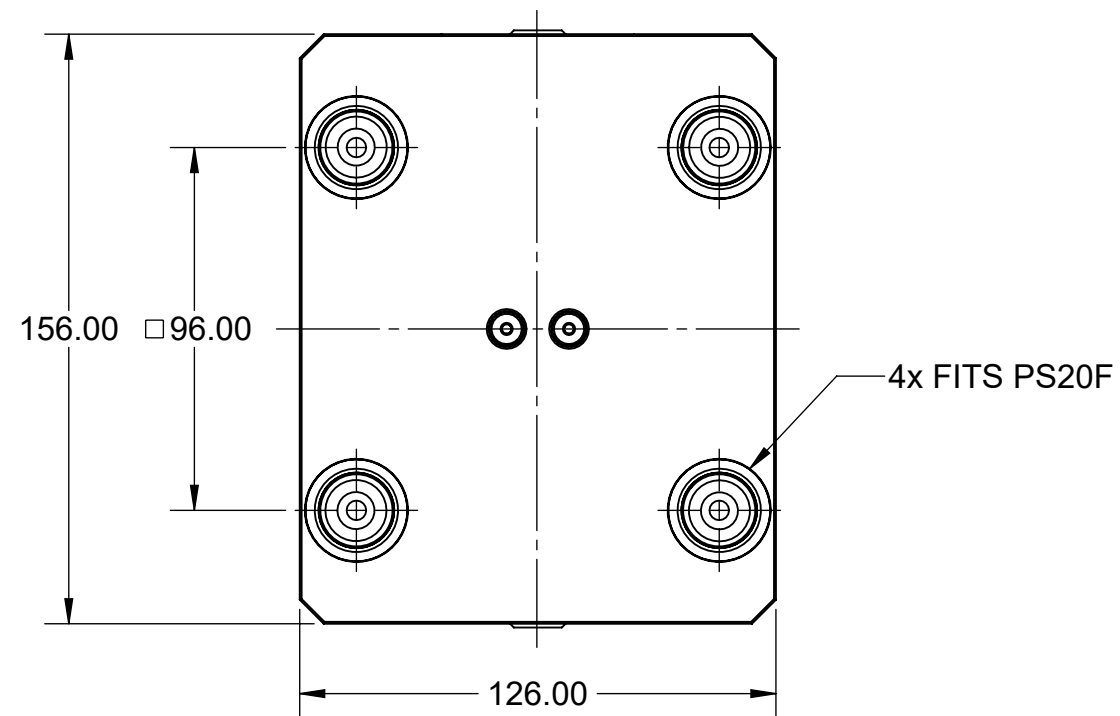
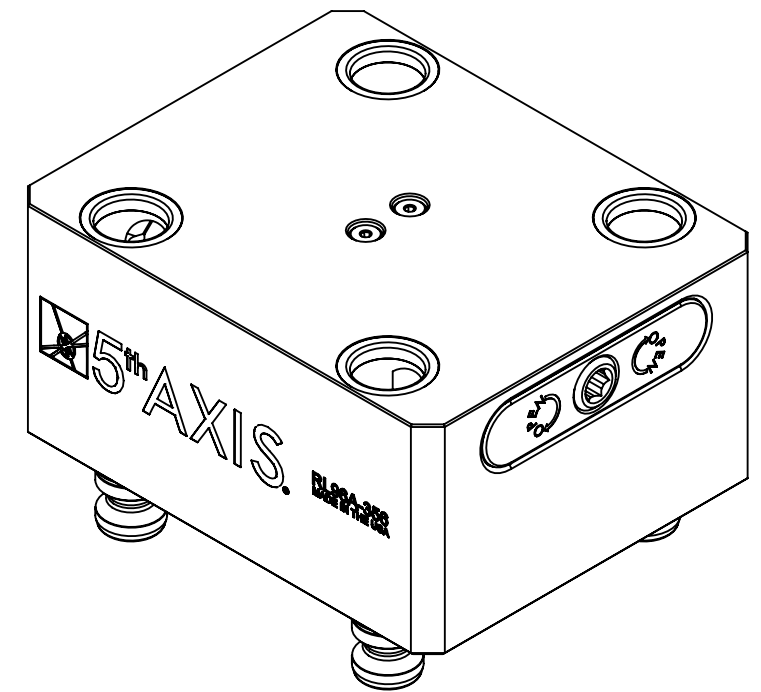
3

2

1

**MATERIAL:**  
 RL96A-356: 6061 ALUMINUM BODY  
 RL96A-356: 1018 STEEL BODY

# RL96A-356 RL96S-356



<b>MILLIMETER</b> <small>DRAWN IN ACCORDANCE WITH ASME Y14.5-2009</small>  <a href="http://WWW.5THAXIS.COM">WWW.5THAXIS.COM</a>  7140 ENGINEER ROAD SAN DIEGO, CA 92111  P (858) 505-0432 F (858) 505-9344	<b>TOLERANCES</b> <small>UNLESS OTHERWISE SPECIFIED</small> x ± 0.1    .xx ± 0.01 .x ± 0.05    .xxx ± 0.005 ANGULAR ± 0.5° <small>THIRD ANGLE PROJECTION</small>		
		<b>DESCRIPTION</b> <b>ROCKLOCK™ 96MM RISER ADAPTER</b>	
<b>SIZE</b> <b>B</b>	<b>PART NO.</b> <b>RL96A-356 / RL96S-356</b>	<b>REV</b> <b>A</b>	<b>SHEET 1 OF 2</b>
DO NOT SCALE DRAWING		SCALE 1:2	WEIGHT:

8

7

6

5

4

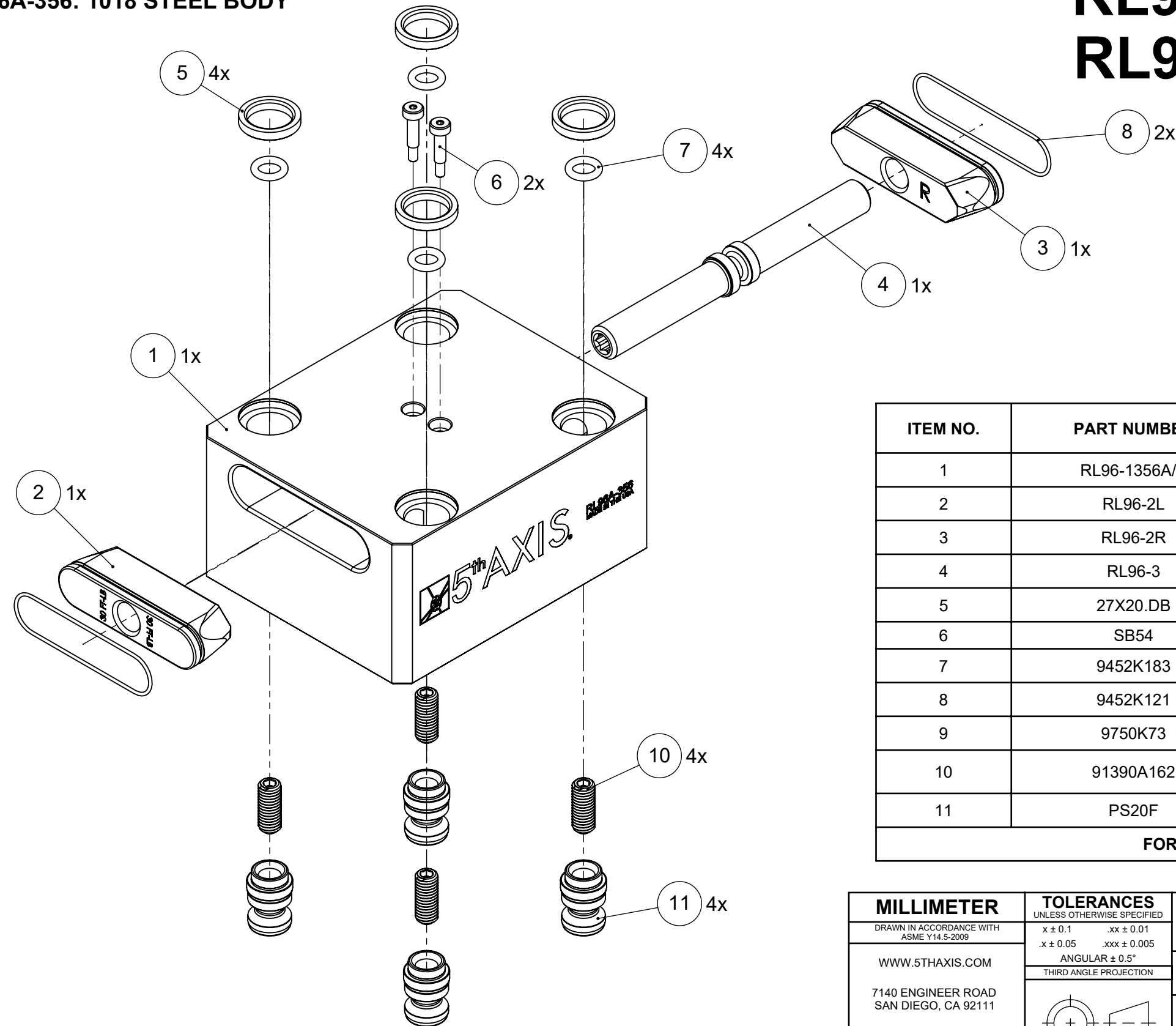
3

2

1


**MATERIAL:**  
 RL96A-356: 6061 ALUMINUM BODY  
 RL96A-356: 1018 STEEL BODY

# RL96A-356 RL96S-356



ITEM NO.	PART NUMBER	DESCRIPTION	QTY.
1	RL96-1356A/S	ROCKLOCK™ RISER	1
2	RL96-2L	LEFT ROCKLOCK™ TRUCK	1
3	RL96-2R	RIGHT ROCKLOCK™ TRUCK	1
4	RL96-3	ROCKLOCK™ LEAD SCREW	1
5	27X20.DB	PRECISION BUSHING	4
6	SB54	SHOULDER BOLT	2
7	9452K183	BASE O-RING	4
8	9452K121	TRUCK O-RING	2
9	9750K73	PLASTIC PLUG (NOT SHOWN)	4
10	91390A162	SET SCREW	4
11	PS20F	PULL STUD	4

**FOR REFERENCE ONLY - NOT FOR RESALE**

<b>MILLIMETER</b> <small>DRAWN IN ACCORDANCE WITH ASME Y14.5-2009</small>  <small>WWW.5THAXIS.COM</small>  <small>7140 ENGINEER ROAD SAN DIEGO, CA 92111</small>  <small>P (858) 505-0432 F (858) 505-9344</small>	<b>TOLERANCES</b> <small>UNLESS OTHERWISE SPECIFIED</small> x ± 0.1    .xx ± 0.01 .x ± 0.05    .xxx ± 0.005 ANGULAR ± 0.5° THIRD ANGLE PROJECTION				
		<b>DESCRIPTION</b> ROCKLOCK™ 96MM RISER ADAPTER			
SIZE <b>B</b> PART NO. <b>RL96A-356 / RL96S-356</b> REV <b>A</b>		DO NOT SCALE DRAWING	SCALE 1:2	WEIGHT:	SHEET 2 OF 2