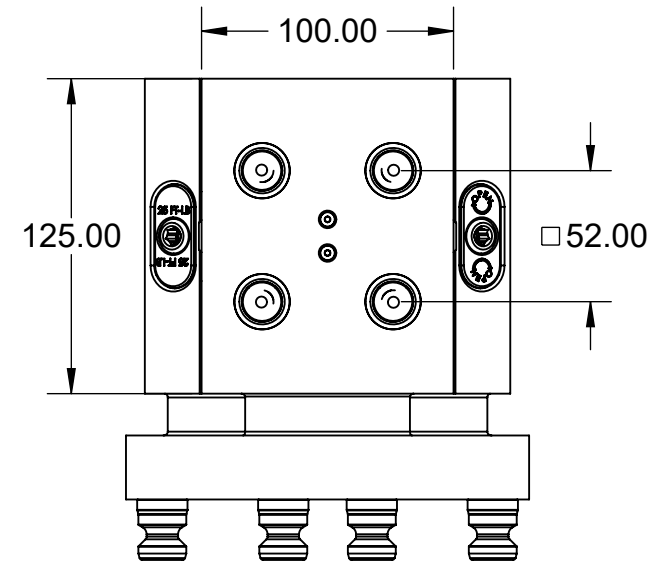
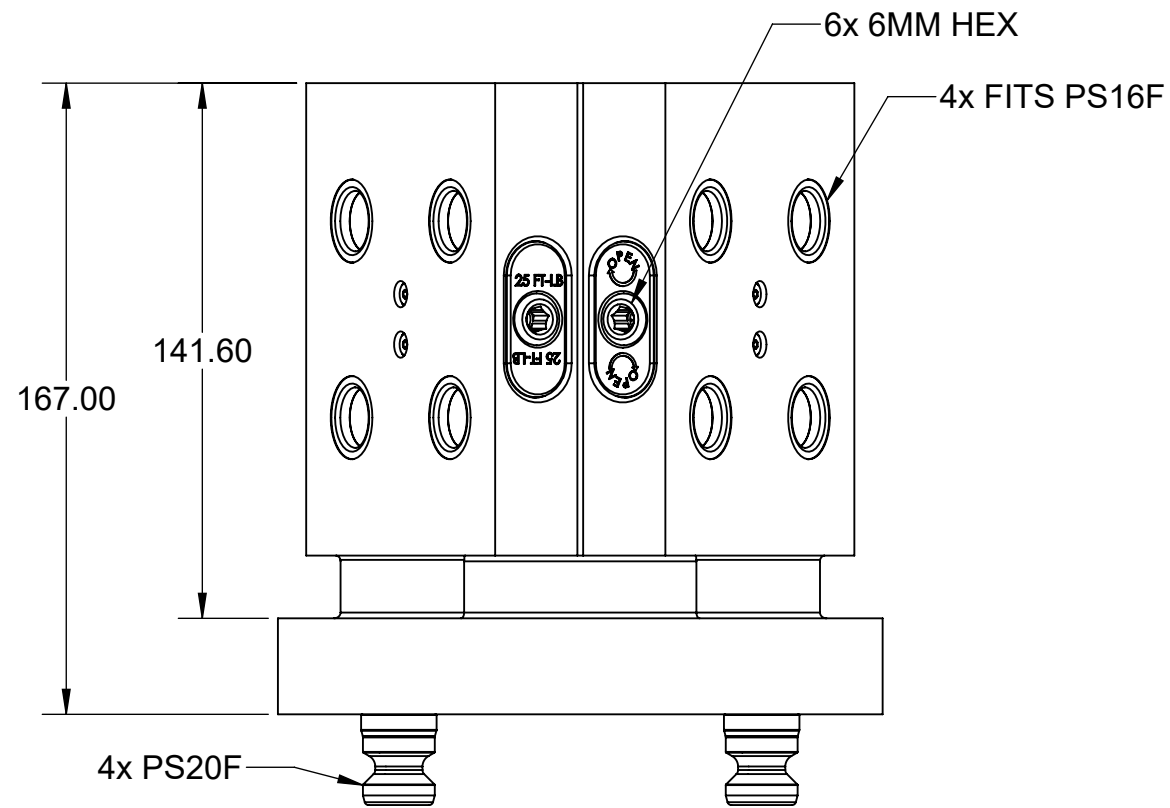
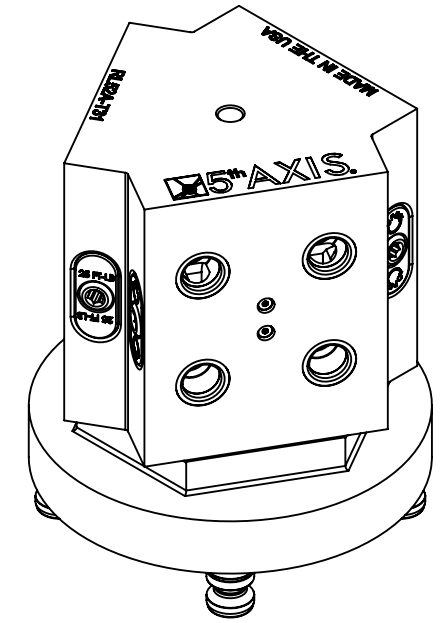
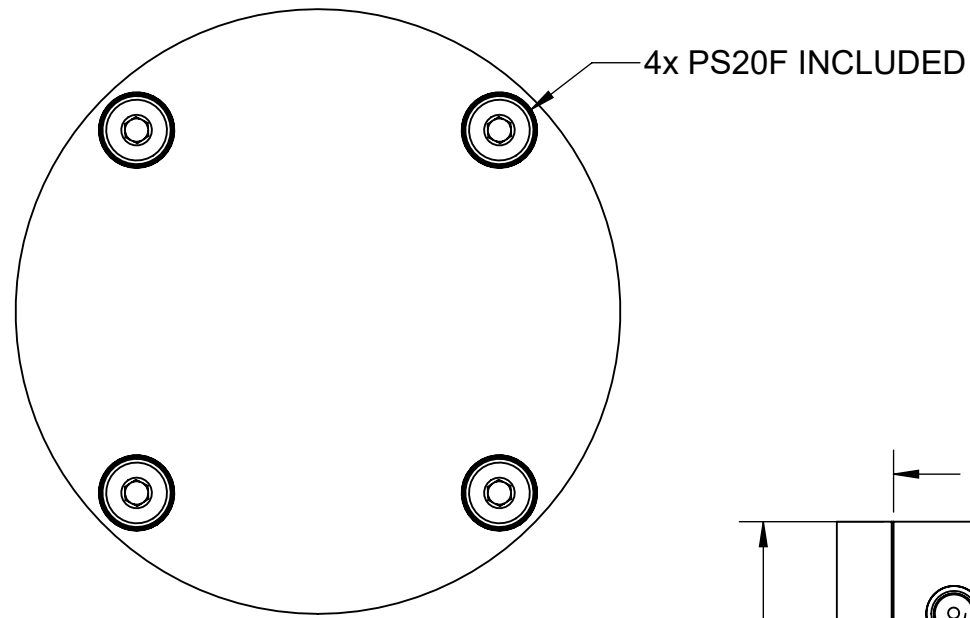
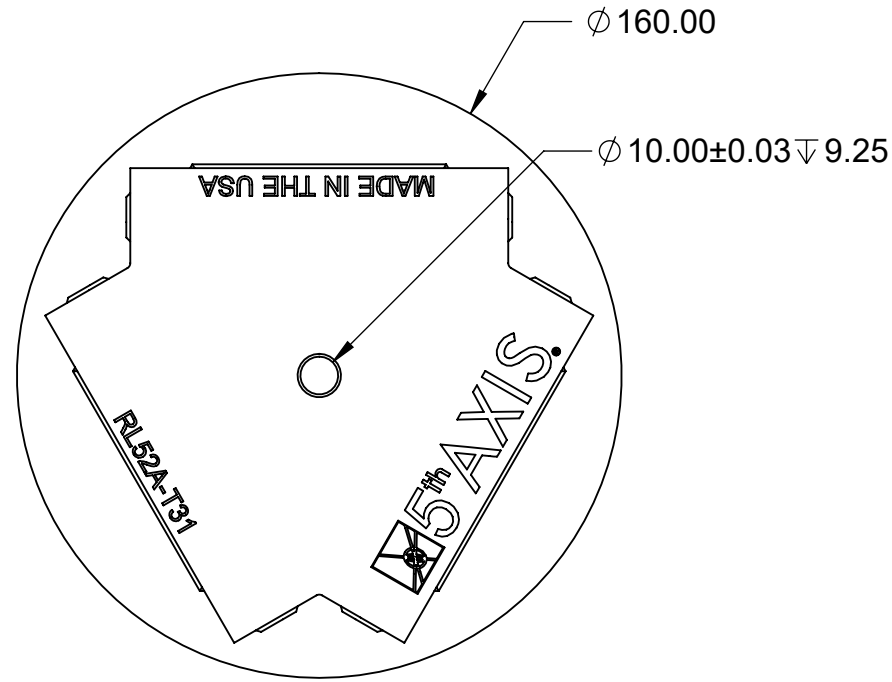


MATERIAL:
RL52A-T31: 6061 ALUMINUM BODY

RL52A-T31



SIDE FACE AUXILIARY VIEW
 SCALE 1:3

MILLIMETER

DRAWN IN ACCORDANCE WITH
 ASME Y14.5-2009

WWW.5THAXIS.COM

7140 ENGINEER ROAD
 SAN DIEGO, CA 92111

P (858) 505-0432
 F (858) 505-9344

TOLERANCES

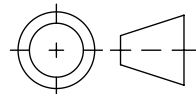
UNLESS OTHERWISE SPECIFIED

x ± 0.1 .xx ± 0.01

.x ± 0.05 .xxx ± 0.005

ANGULAR ± 0.5°

THIRD ANGLE PROJECTION



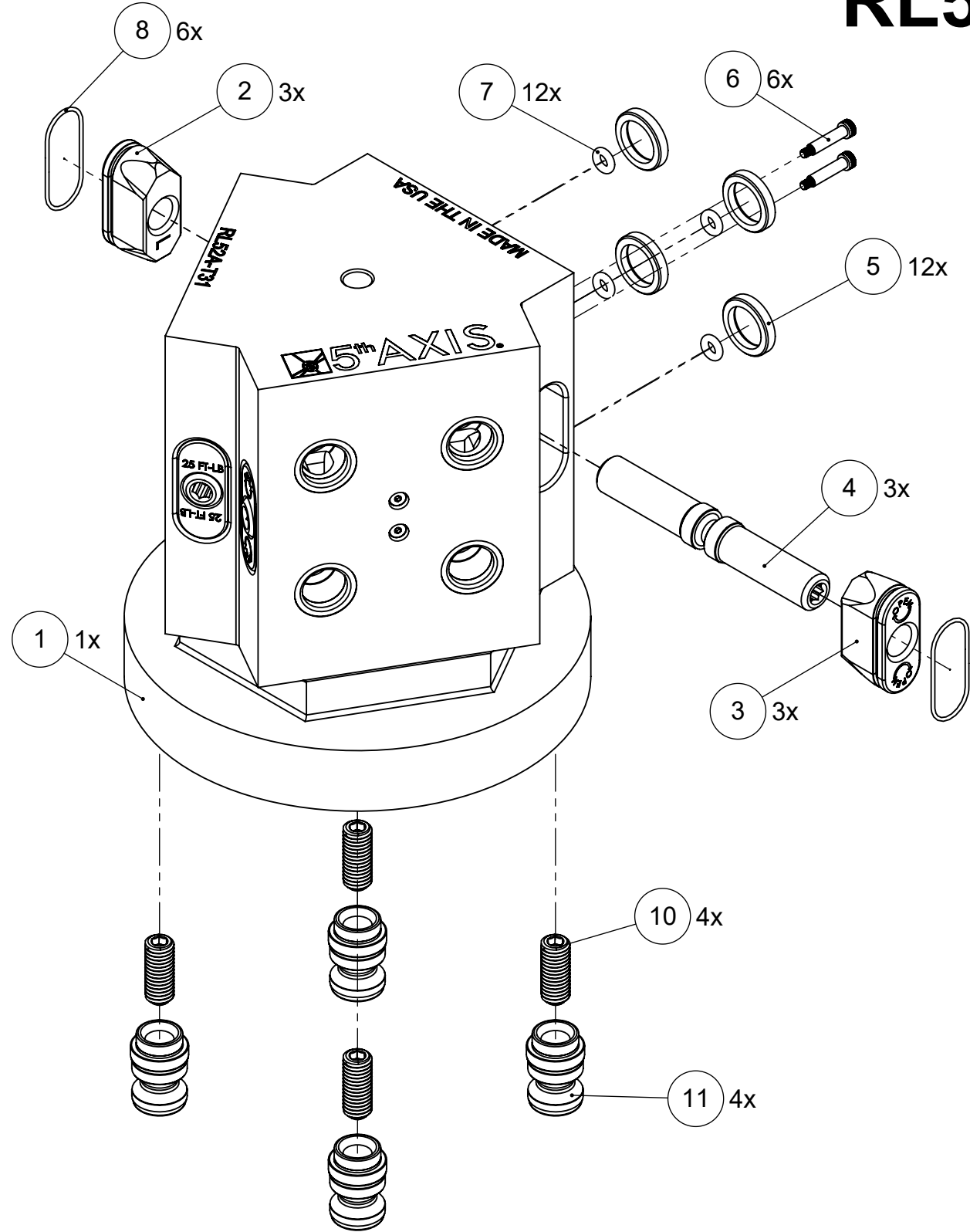
DESCRIPTION
ROCKLOCK™ 52MM THREE SIDED TOMBSTONE BASE

SIZE B	PART NO. RL52A-T31	REV A
------------------	------------------------------	-----------------

DO NOT SCALE DRAWING	SCALE 1:2	WEIGHT:	SHEET 1 OF 3
----------------------	-----------	---------	--------------

RL52A-T31

MATERIAL:
RL52A-T31: 6061 ALUMINUM BODY



ITEM NO.	PART NUMBER	DESCRIPTION	QTY.
1	RL52-1T31A	ROCKLOCK™ BASE	1
2	RL52-2L	LEFT ROCKLOCK™ TRUCK	3
3	RL52-2R	RIGHT ROCKLOCK™ TRUCK	3
4	RL52-3	ROCKLOCK™ LEAD SCREW	3
5	22X16.DB	PRECISION BUSHING	12
6	SB43	SHOULDER BOLT	6
7	9452K168	BASE O-RING	12
8	9452K77	TRUCK O-RING	6
9	9750K72	PLASTIC PLUG (NOT SHOWN)	12
10	91390A162	SET SCREW	4
11	PS20F	PULL STUD	4

FOR REFERENCE ONLY - NOT FOR RESALE

MILLIMETER <small>DRAWN IN ACCORDANCE WITH ASME Y14.5-2009</small> <small>WWW.5THAXIS.COM</small> <small>7140 ENGINEER ROAD SAN DIEGO, CA 92111</small> <small>P (858) 505-0432 F (858) 505-9344</small>	TOLERANCES <small>UNLESS OTHERWISE SPECIFIED</small> x ± 0.1 .xx ± 0.01 .x ± 0.05 .xxx ± 0.005 ANGULAR ± 0.5° THIRD ANGLE PROJECTION				
		DESCRIPTION ROCKLOCK™ 52MM THREE SIDED TOMBSTONE BASE			
SIZE B PART NO. RL52A-T31 REV A		DO NOT SCALE DRAWING	SCALE 1:2	WEIGHT:	SHEET 2 OF 3

8

7

6

5

4

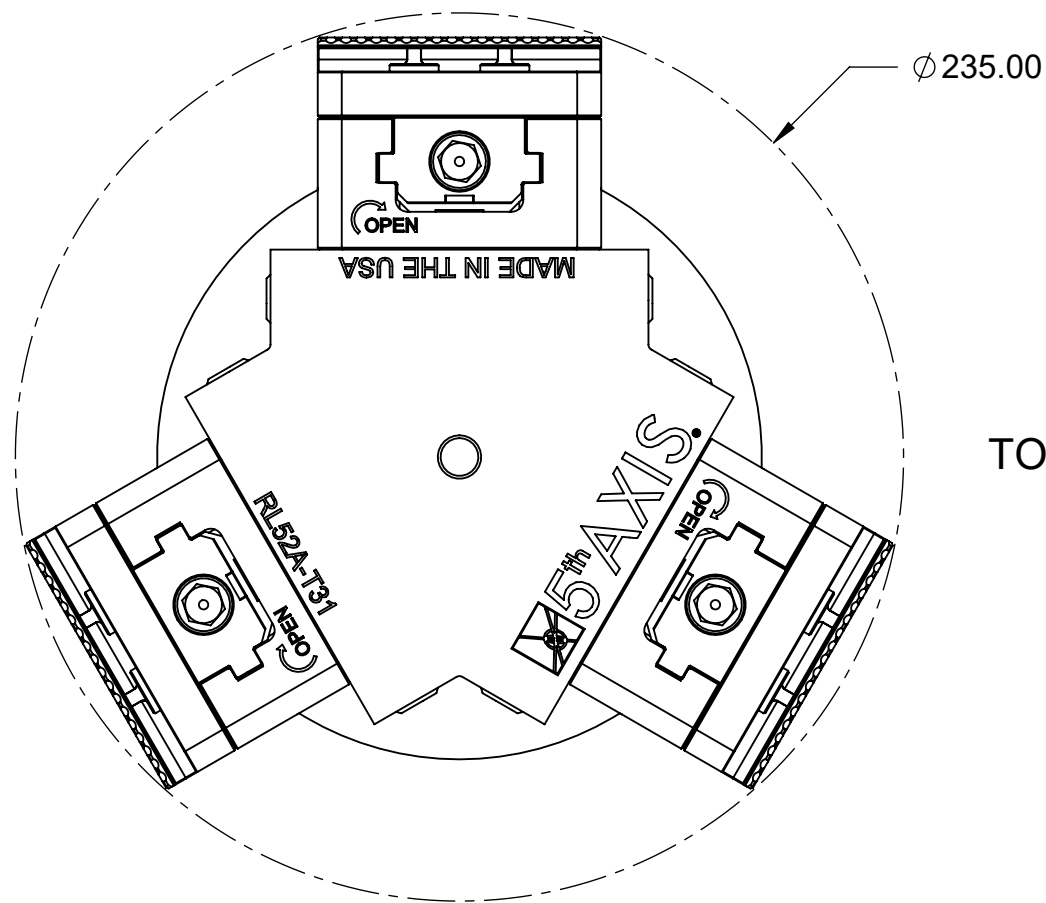
3

2

1

MATERIAL:
RL52A-T31: 6061 ALUMINUM BODY

RL52A-T31



TOP VIEW OF RL52A-T31 WITH 3x V75100X

MILLIMETER

DRAWN IN ACCORDANCE WITH
ASME Y14.5-2009

WWW.5THAXIS.COM

7140 ENGINEER ROAD
SAN DIEGO, CA 92111

P (858) 505-0432
F (858) 505-9344

TOLERANCES

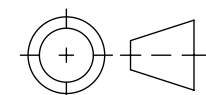
UNLESS OTHERWISE SPECIFIED

x ± 0.1 .xx ± 0.01

.x ± 0.05 .xxx ± 0.005

ANGULAR ± 0.5°

THIRD ANGLE PROJECTION



DESCRIPTION

ROCKLOCK™ 52MM THREE SIDED TOMBSTONE BASE

SIZE

B

PART NO.

RL52A-T31

REV

A

DO NOT SCALE DRAWING

SCALE 1:2

WEIGHT:

SHEET 3 OF 3

8

7

6

5

4

3

2

1

D

D

C

C

B

B

A

A