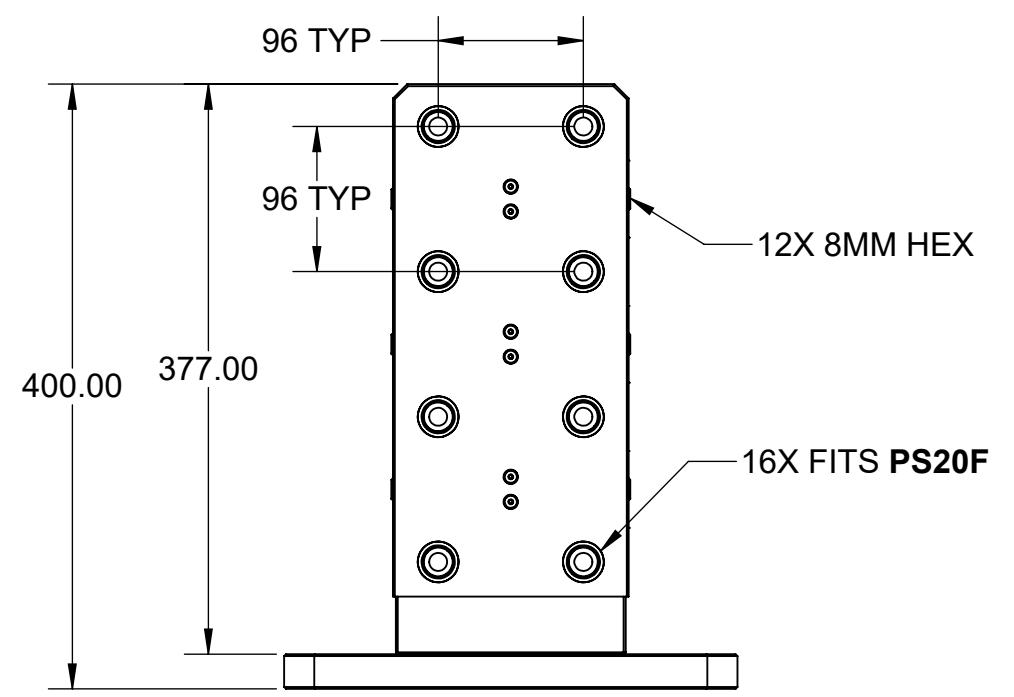
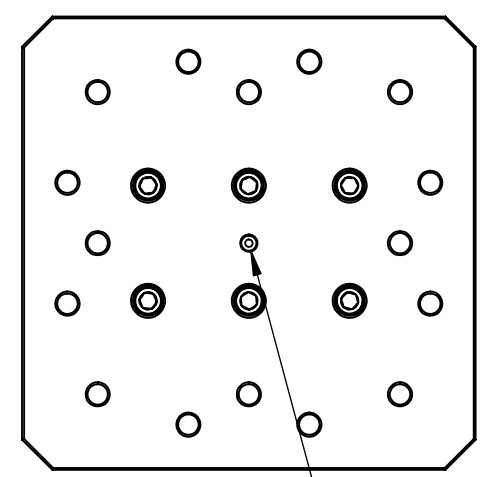
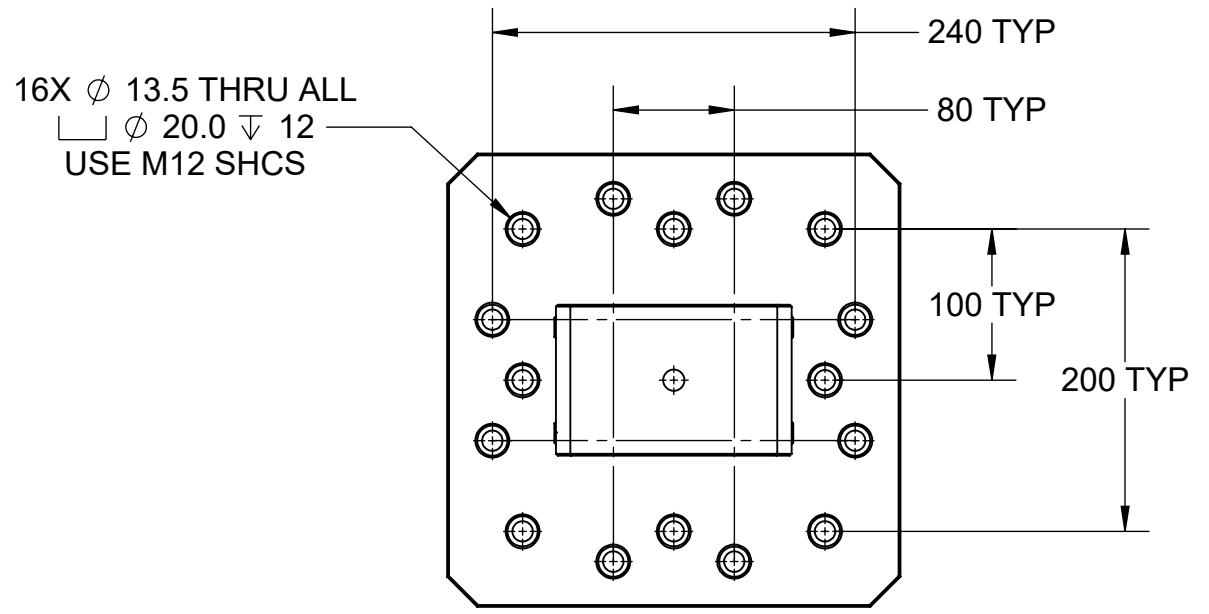
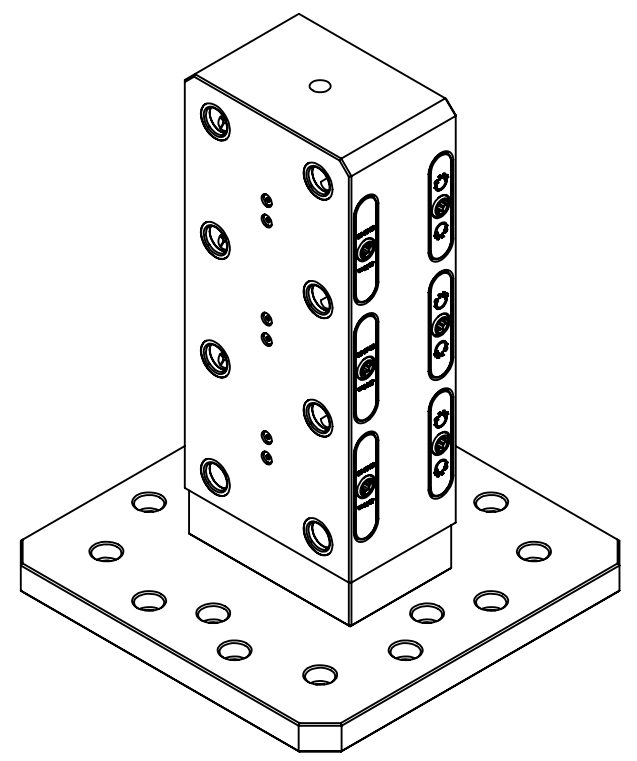



**MATERIAL:**  
**RL96A-3002: 6061 ALUMINUM BODY**  
**RL96S-3002: 1018 STEEL BODY**

# RL96A-3002 RL96S-3002



<b>MILLIMETER</b>		<b>TOLERANCES</b> UNLESS OTHERWISE SPECIFIED			
DRAWN IN ACCORDANCE WITH ASME Y14.5-2009		x ± 0.1    .xx ± 0.01 .x ± 0.05    .xxx ± 0.005 ANGULAR ± 0.5° THIRD ANGLE PROJECTION			
WWW.5THAXIS.COM		DESCRIPTION <b>ROCKLOCK™ 96MM TWO SIDED TOMBSTONE</b>			
7140 ENGINEER ROAD SAN DIEGO, CA 92111		SIZE <b>B</b>	PART NO. <b>RL96A-3002 / RL96S-3002</b>		REV <b>A</b>
P (858) 505-0432 F (858) 505-9344		DO NOT SCALE DRAWING		SCALE 1:5	WEIGHT:
				SHEET 1 OF 3	