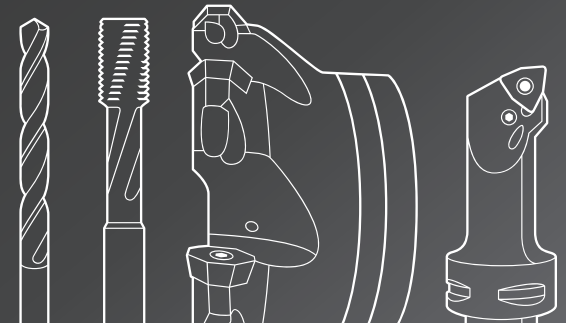


Minimize Axial Forces – Make Maximum Use of Tool Performance

Synchronized Tapping Adaptor AB735

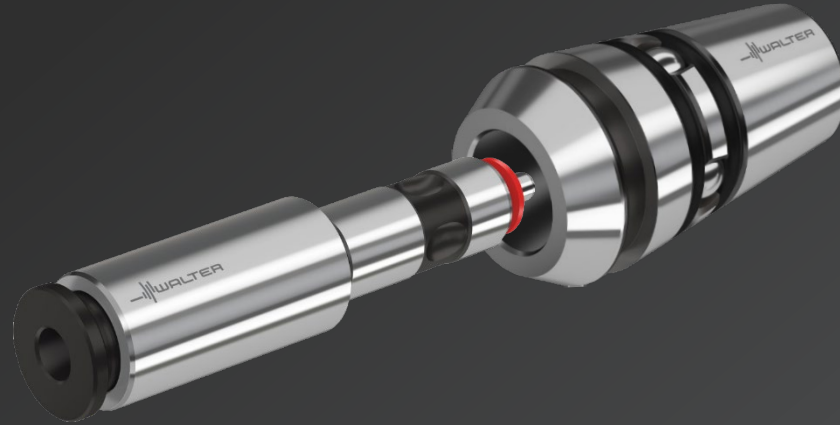
Ralf Bopp | MPM | October 2019



Synchronized Tapping Adaptor AB735

Agenda

- 1 Development Target
- 2 Product Description
- 3 Customer Benefits
- 4 Summary



Synchronized Tapping Adaptor AB735

Why has the product been developed?

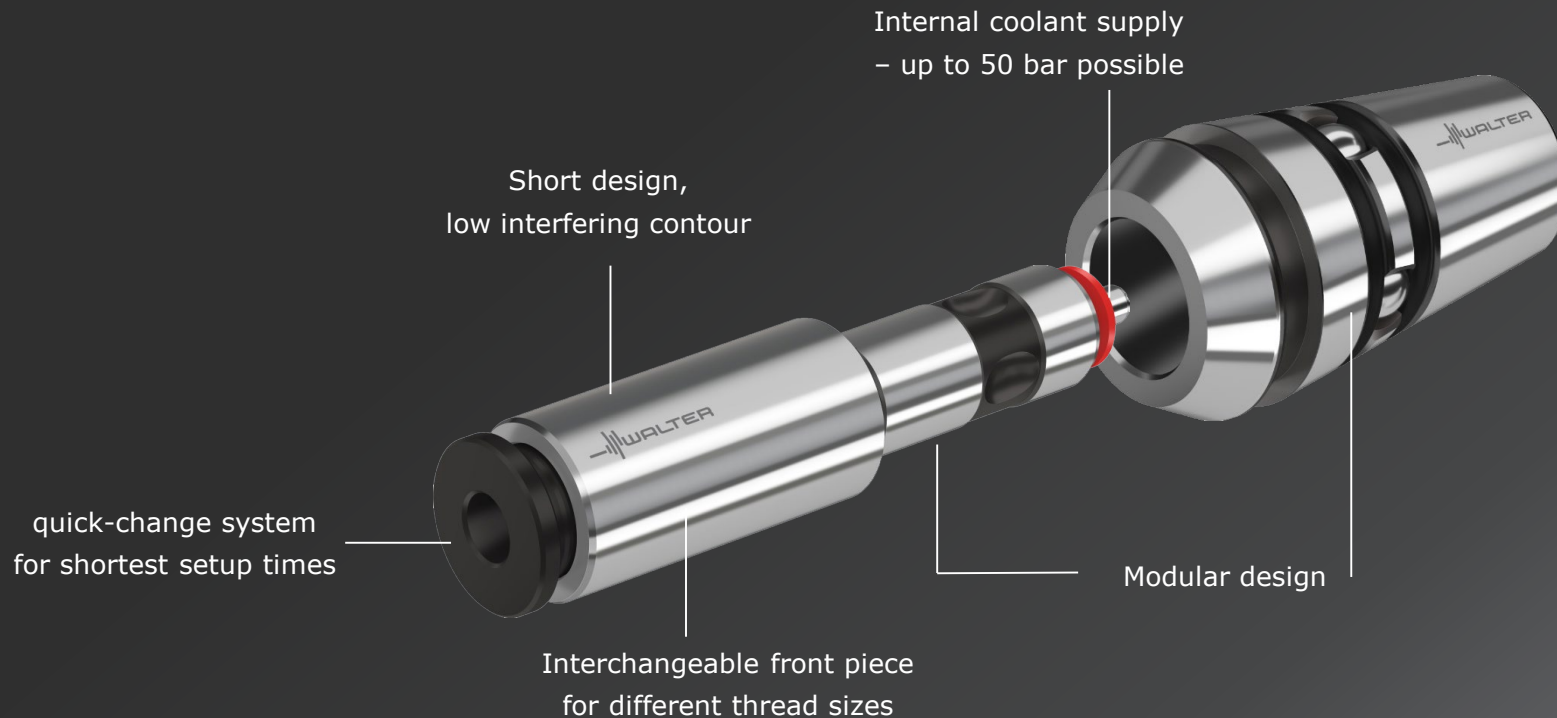
Development
Target

- Minimizing the load on the thread flanks
- Slim design – therefore smaller space required
- Compensation of synchronization errors

Synchronized Tapping Adaptor AB735

Product Description

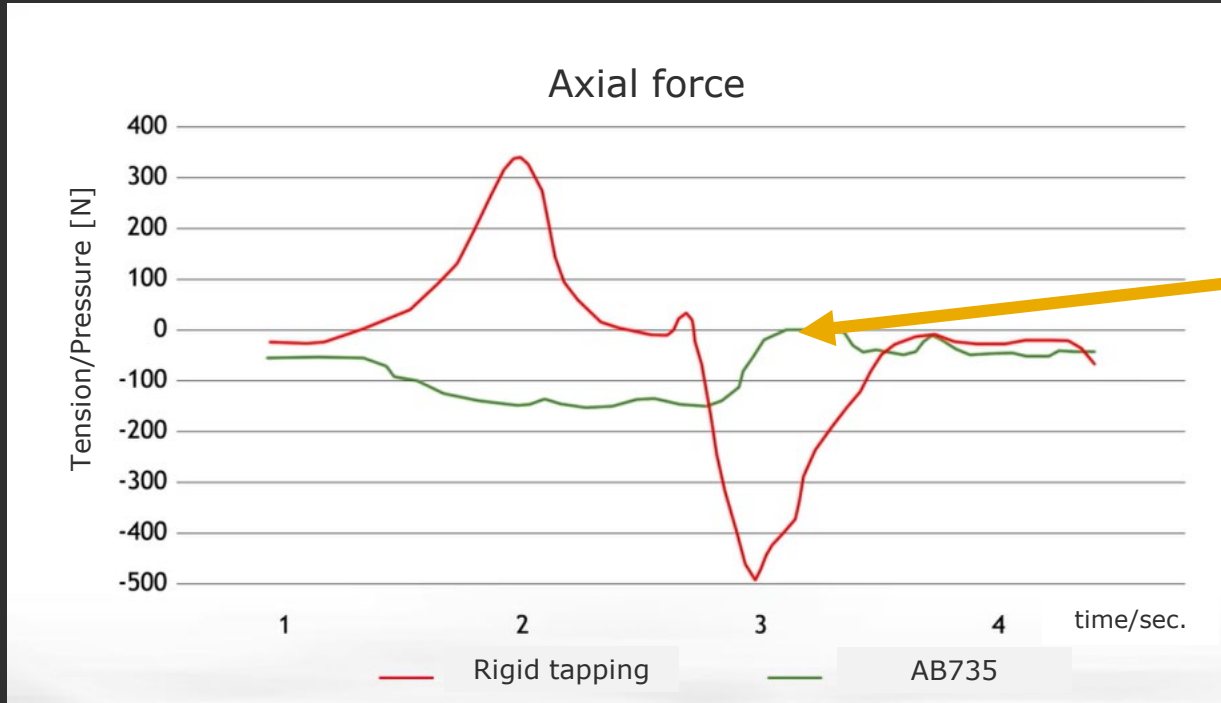
Product
Description



Synchronized Tapping Adaptor AB735

Customer Benefits

Customer
Benefits



Low axial force compared to rigid clamping

Synchronized Tapping Adaptor AB735 Target Group

Customer
Benefits



Big benefit for all users who are currently using rigid tapping!

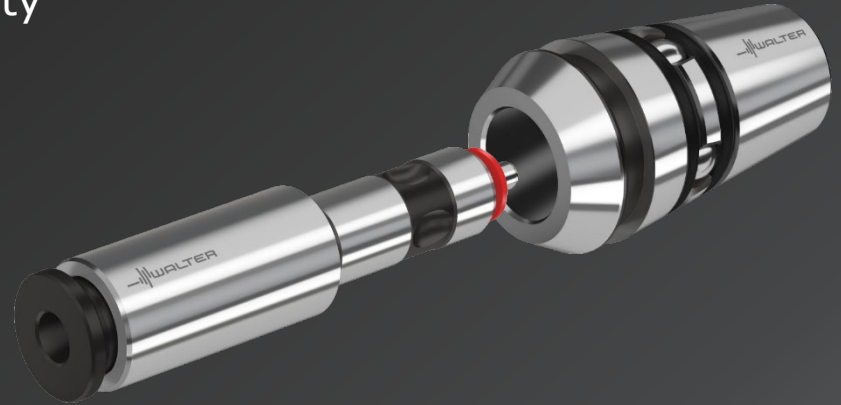


Synchronized Tapping Adaptor AB735

Customer Benefit

Customer
Benefits

- Increased tool life and process reliability due to less axial force
- Low investment costs thanks to modular design
- Not recommended with low/small distance to the core hole depth, e.g. chamfer form "E"



Synchronized Tapping Adaptor AB735 Support

Summary

Sales documents:

- Product Innovations 2020

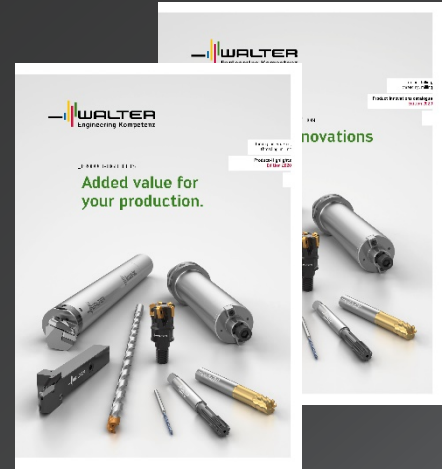
Sales start:

01. January 2020 (i-PAC 19-1)

- Synchronized Tapping Adaptor AB735

Prices:

- See PDF price list



Internal:



Documents on SharePoint

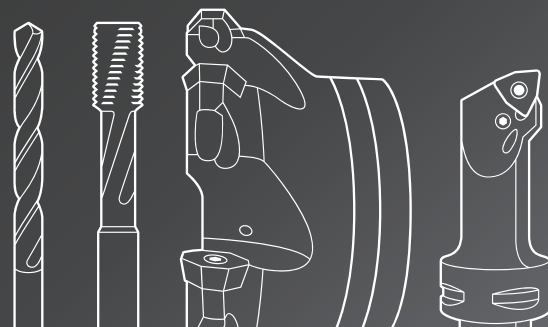
External:



eLibrary.walter

Questions?

Synchronized Tapping Adaptor AB735





Engineering Kompetenz

**i-PAC
19-1**

