

_DC160 ADVANCE SOLID CARBIDE DRILL

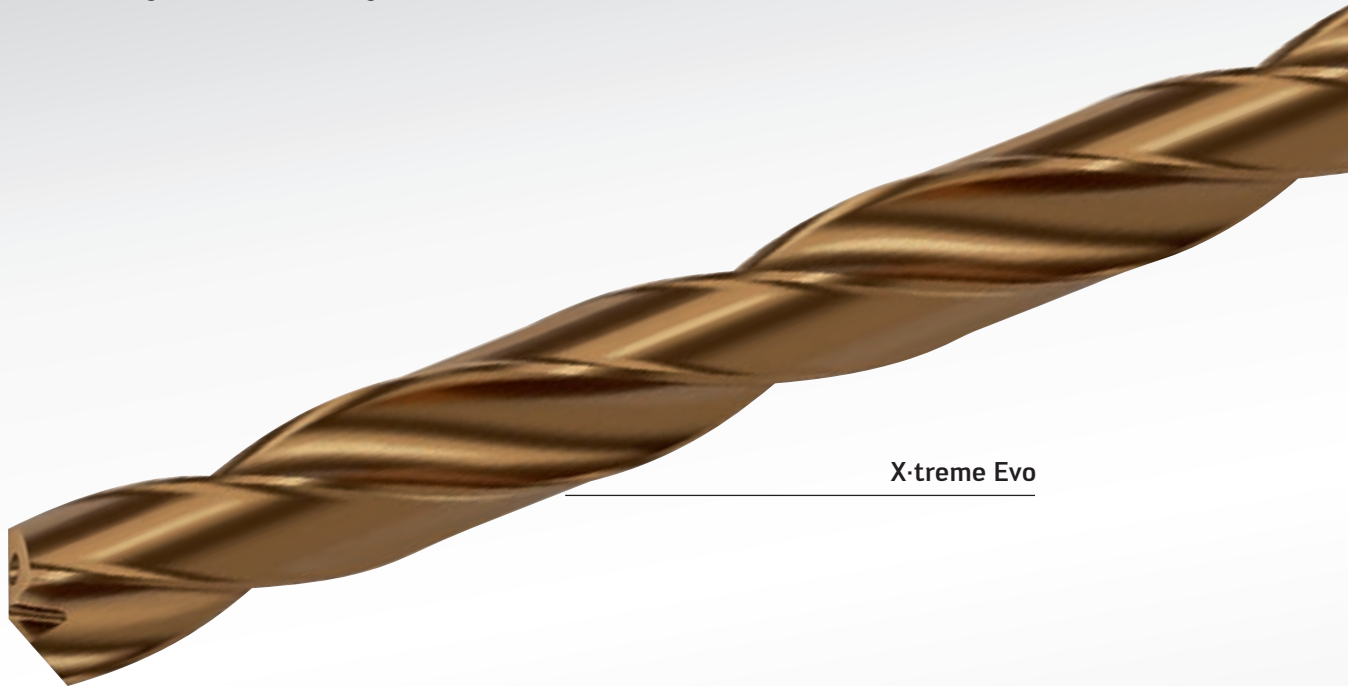
X-treme Evo – The Next Generation of Drilling.



YOUR COMPETITIVE ADVANTAGE

Walter is releasing the X-treme Evo from the DC160 Advance product line. This solid carbide drill can be used universally – in all material groups, for a wide variety of applications (such as inclined entries and exits), for drilling close to the edge of the

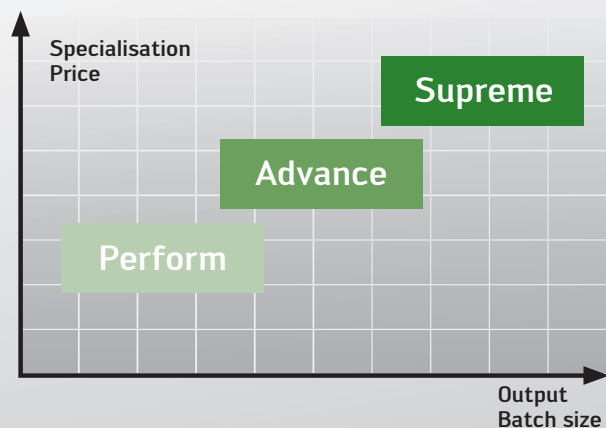
workpiece and for convex and concave surfaces. It can be used on all machine concepts, such as machining centres and transfer lines, or on lathes in both static and driven modes, radial and axial orientation.



X-treme Evo

THE WALTER ADVANCE LINE

Are you looking to strike the ideal balance between the most cost-effective production possible and long tool life? Walter Advance line tools exhibit their strengths in the series production of medium-sized batches. Besides the modest investment costs, the key benefits are excellent performance data and a wide range of different models.





Increased tool life. Increased productivity. Increased process reliability.

20% longer tool life, 20% higher cutting data: The X-treme Evo from the DC160 Advance product line is a pioneer in many aspects, not just productivity. Improved centring characteristics, thanks to a positive approach angle and quicker guidance,

optimise the component quality. Reduced cutting forces protect the machine. The wide range and their suitability for a great variety of applications mean that DC160 solid carbide drills are of interest to many target groups from different sectors.

THE BENEFITS FOR YOU AT A GLANCE

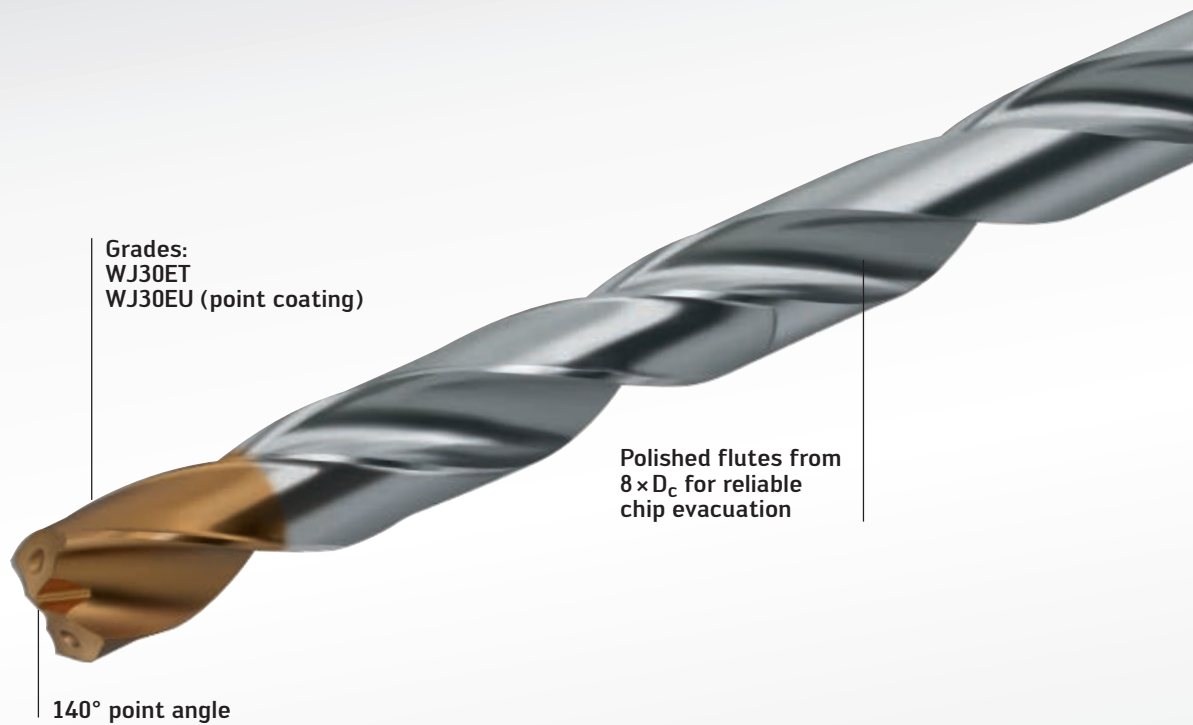
- Outstanding tool life and process reliability at high cutting speeds
- High drilling quality thanks to faster guidance in the drilled hole enabled by a fourth land in an advanced position
- Low feed forces and higher positioning accuracy thanks to the steep approach angle
- Can be used universally for all material groups; suitable for use with emulsion, oil or MQL
- High flexibility for areas of use such as the supply industry or general mechanical engineering thanks to the large range of drills

MAXIMUM PRECISION AND PROCESS RELIABILITY

The X-treme Evo is the full package, with a perfect combination of winning features.

Walter's own extremely wear-resistant WJ30ET and WJ30EU grades consist of the very tough K30F micrograin substrate plus

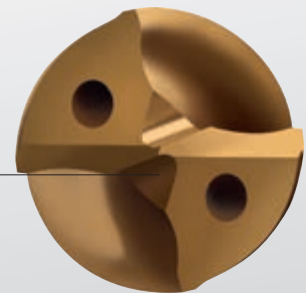
the TiSiAlCrN/AlTiN multi-layer coating. This makes it possible to achieve a long tool life and high cutting values. The advanced fourth land is engaged quickly and consequently optimises drill guidance, particularly for inclined entries and exits.

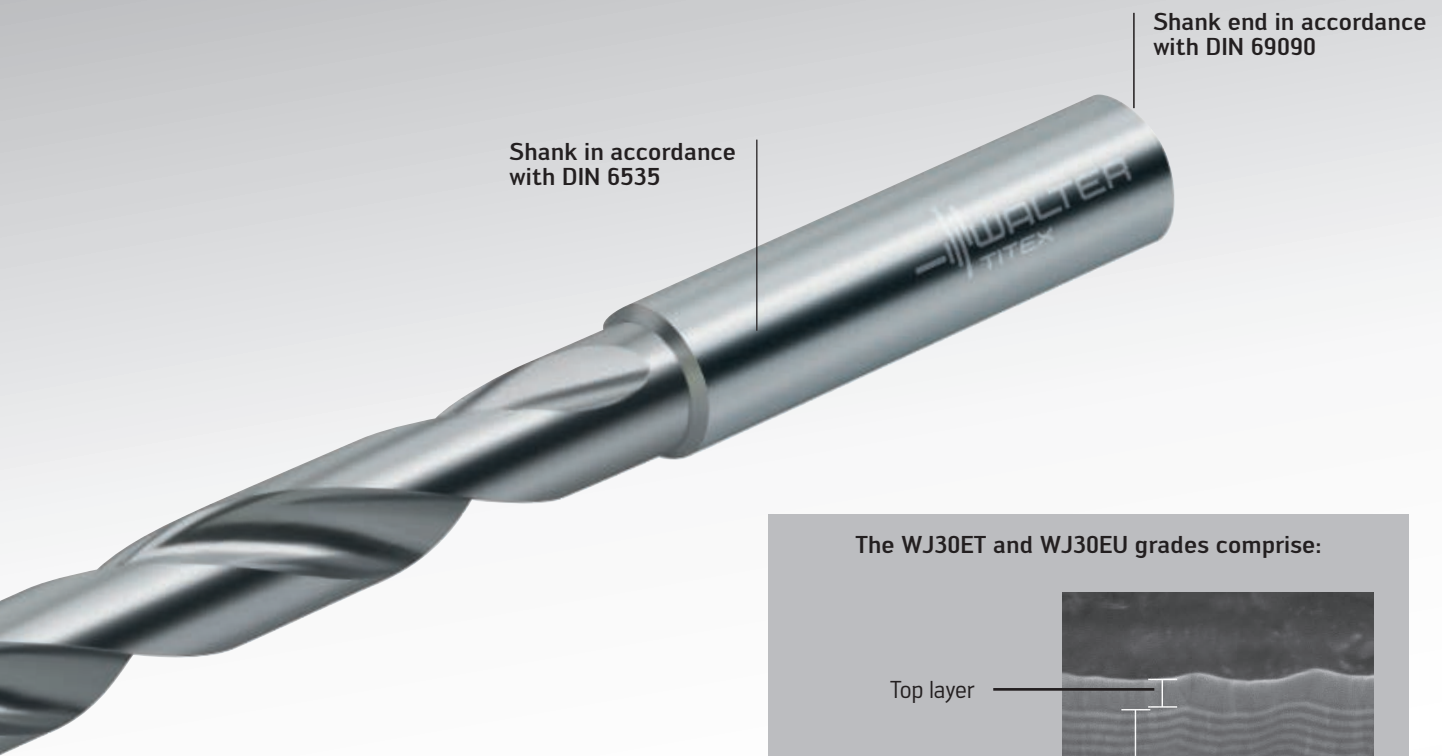


FACE & APPROACH

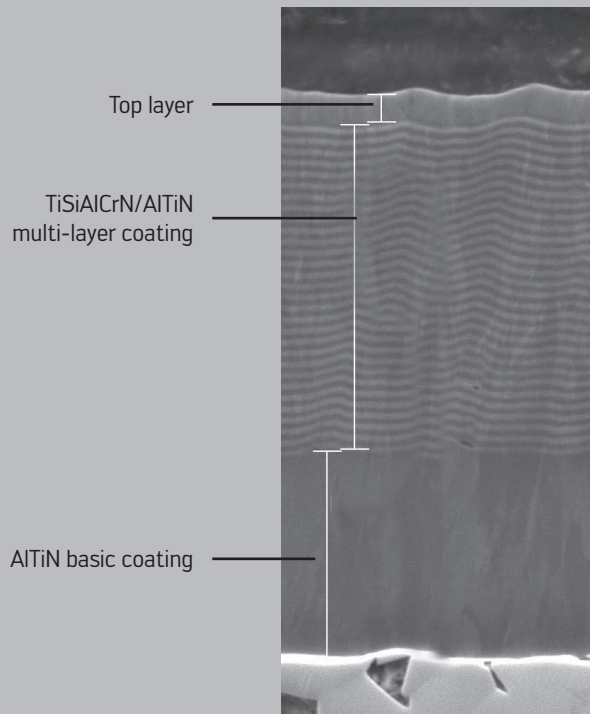
A new type of face geometry creates a large amount of space for chips in the centre and improves chip removal in soft materials in particular. The steep approach angle reduces the feed force and improves the positioning accuracy.

Innovative new positive approach for reduced cutting force



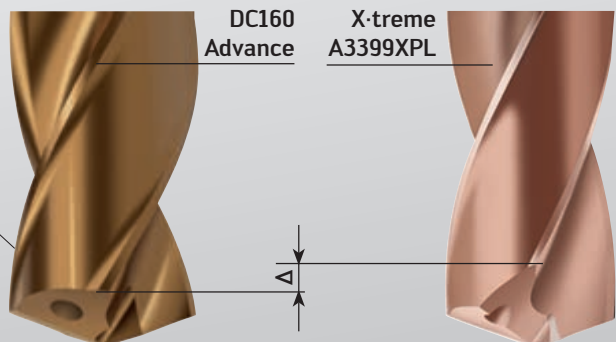
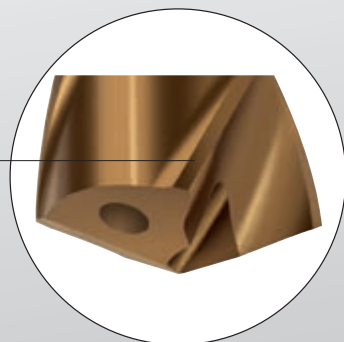


The WJ30ET and WJ30EU grades comprise:



FOURTH LAND

Fourth land in advanced position to ensure fast guidance in the drilled hole



RANGE OF DRILLS FOR UNIVERSAL USE

Walter is continuously expanding the DC160 Advance product range – currently with three new variants: 3 and 12 × D_c with internal coolant and 5 × D_c without internal coolant – in addition to the DC260 Advance

chamfer drill with and without internal coolant for thread/core hole drilling. The whole range covers diameters: 3–20 mm (3 or 8 × D_c and 12 × D_c) along with 3–25 mm (5 × D_c) ensures maximum flexibility during use.

DC160 Advance chamfer drill

- **NEW** 3 × D_c with internal coolant, shank type HA and HE
- **NEW** 3 × D_c without internal coolant, shank type HA and HE

DC160 Advance twist drill

- **NEW** 3 × D_c with internal coolant, shank type HA and HE
- 3 × D_c without internal coolant, shank type HA and HE

DC160 Advance twist drill

- 5 × D_c with internal coolant, shank type HA and HE
- **NEW** 5 × D_c without internal coolant, shank type HA and HE





**DC160 Advance
twist drill**

- $8 \times D_c$ with internal
coolant, shank type HA



**DC160 Advance
twist drill**

- **NEW** $12 \times D_c$
with internal coolant,
shank type HA

Also available through:

Walter Xpress



Watch the product video:
www.youtube.com/waltertools



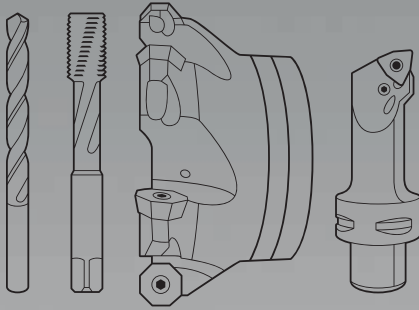
**Reconditioning Service
Original Walter Quality**

Maximum cost efficiency thanks to
reconditioning up to three times in
the Walter Recon Centers in original
manufacturer quality.

Walter AG

Derendinger Straße 53, 72072 Tübingen
Postfach 2049, 72010 Tübingen
Germany

walter-tools.com



Walter GB Ltd.

Bromsgrove, England
+44 (1527) 839 450, service.uk@walter-tools.com

Walter Kesici Takımlar Sanayi ve Ticaret Ltd. Şti.

Istanbul, Türkiye
+90 (0) 216 528 1900 Pbx, service.tr@walter-tools.com

Walter Wuxi Co. Ltd.

Wuxi, Jiangsu, P.R. China
+86 (510) 853 72199, service.cn@walter-tools.com

Walter AG Singapore Pte. Ltd.

+65 6773 6180, service.sg@walter-tools.com

Walter Korea Ltd.

Anyang-si Gyeonggi-do, Korea
+82 (31) 337 6100, service.kr@walter-tools.com

Walter Tools India Pvt. Ltd.

Pune, India
+91 (20) 3045 7300, service.in@walter-tools.com

Walter (Thailand) Co., Ltd.

Bangkok, 10120, Thailand
+66 2 687 0388, service.th@walter-tools.com

Walter Malaysia Sdn. Bhd.

Selangor D.E., Malaysia
+60 (3) 8023 7748, service.my@walter-tools.com

Walter Japan K.K.

Nagoya, Japan
+81 (52) 533 6135, service.jp@walter-tools.com

Walter USA, LLC

Waukesha WI, USA
+1 800-945-5554, service.us@walter-tools.com

Walter Canada

Mississauga, Canada
service.ca@walter-tools.com
